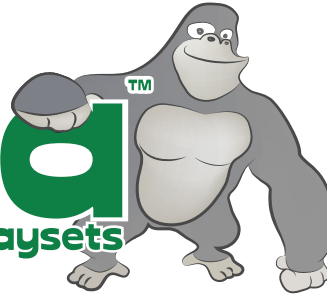


gorilla

playsets



Model: GM52008

(BOXES: 1, 2, 3 & Slide)



Mountain Peak Playset

IMPORTANT, RETAIN FOR FUTURE REFERENCE: READ CAREFULLY

Copyright © 2023 Gorilla Playsets
All Rights Reserved

166 Etowah Industrial Court
Canton, GA 30114

1-800-882-0272

www.gorillaplaysets.com



10-14 Hrs



Two Person
Assembly

Adult Assembly Required

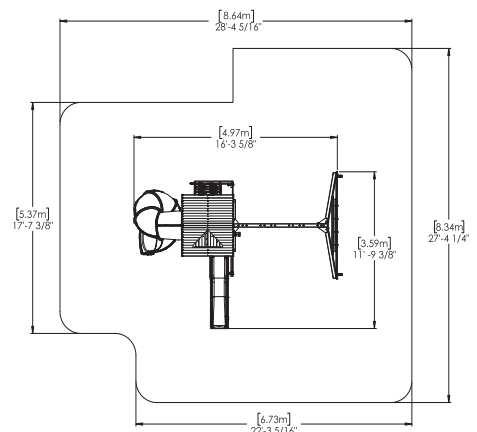
WARNING To reduce the risk of serious injury or death, you must read and follow these instructions. Keep and follow these instructions often and give them to any future owner of the play system. Manufacturer contact information provided on this page.

OBSTACLE FREE SAFETY ZONE: 28' 4-5/16" x 27' 4-1/4" (8.64m x 8.34m), area requires Protective Surfacing, see page 10

MAXIMUM VERTICAL FALL HEIGHT: 6'6" (1.99m)

CAPACITY: 9 users Maximum, Ages 3 to 11, Weight Limit 110 lbs (49.9 kg) per child

RESIDENTIAL HOME USE ONLY. Not intended for public areas such as schools, churches, nurseries, day cares or parks.



Height:
10'1/2" (3.06m)

G40000-2008



Please inspect and inventory all parts immediately upon accepting delivery. Use the inventory pages in the manual to make sure you have received all necessary parts. The quickest method to get any parts that are missing or damaged is to use our “Quick Response Center” located at:

www.gorillaplaysets.com/customer-care

DO NOT RETURN THIS PRODUCT TO THE RETAILER OR CONTACT THE RETAILER DIRECTLY. THE RETAILER DOES NOT STOCK COMPONENTS.

PLEASE RETAIN ALL INSTRUCTIONS FOR FUTURE REFERENCE. KEEP THEM IN A SAFE PLACE WHERE YOU CAN REFER TO THEM AS NEEDED. CHECK FOR REVISED INSTRUCTIONS AT:

www.gorillaplaysets.com/assembly-manuals

GORILLA PLAYSETS WARRANTY – 2023

Gorilla Playsets® (“Gorilla”) warrants its play sets to be free from defects in workmanship and materials, under normal use and conditions, for 10 years for above ground structural wood components and for one year for all other components (e.g., swings, hardware, plastics, tarps, rope ladder, etc.).

Gorilla warrants all remaining products, including but not limited to its, Malibu Playhouse, Free Standing Swing Set, Free Standing Tire Swing, See-Saw, Children’s Picnic Table with Umbrella, Play-Zee-Bo™, Cedar Toy Chest, Interlocking Sandbox and spring riders to be free from defects in workmanship and materials, under normal use and conditions, for a period of 1 year.

Cosmetic imperfections and natural tendencies of wood such as peeling, splintering, warping, seasonal checking or cracking, knots or knot holes, etc. are normal characteristics of all outdoor wooden play equipment and are not covered by this warranty. Checks or cracks in wood components that do not affect the intended function of the part, piece or overall swing set are not covered under this warranty.

Wood rot or decay that develops because the product was installed in an area with poor drainage is not covered under this warranty. Lumber that has been damaged by wood boring bees, or conditions that develop as a result of faulty or improper installation of the product, are not covered by this warranty. Fading of stain, discoloration or mold on any wood part or accessory is not covered by this warranty. Cracks in plastic components, surface rust on hardware and chips on powder coated materials are not considered defects in material as long as they do not affect the functionality or structural integrity of the part or component.

It is the owner’s responsibility to maintain the swing set. **This includes but is not limited to staining and sealing the lumber as needed and regular inspection to be sure all hardware is tight.** Instructions for proper maintenance can be found on Gorilla’s website. Imperfections or conditions that develop because of a failure to properly maintain the swing set are not covered by this warranty.

Gorilla will, at its discretion, replace any above ground part within the stated warranty period that is defective in workmanship or materials. This decision is subject to verification of the defect, which, at Gorilla’s discretion, may be accomplished by submitting photographs or by delivery of the defective part to Gorilla Playsets • 166 Etowah Industrial Ct. • Canton, GA 30114 • 1-800-882-0272 Monday to Friday 9AM-5PM EST. Any warranty claim must include proof of purchase, including the date of purchase. **In addition, within the first 30 days from the date of purchase, Gorilla will replace any parts discovered to be missing from or damaged in the original packaging.**

This warranty is valid only if the product is used for the purpose for which it was designed and installed at a residential, single-family dwelling. This warranty is void if the product is used in a commercial, institutional or multi-family setting. **This warranty does not cover normal wear and tear or (a) products that have been damaged by acts of God and/or nature, negligence, misuse or accident; (b) products that have been modified or repaired by unauthorized persons; (c) the cost of labor; or (d) the cost of shipping any replacement product or part.**

GORILLA DISCLAIMS ALL OTHER REPRESENTATIONS AND WARRANTIES OF ANY KIND, EXPRESSED, IMPLIED, STATUTORY OR OTHERWISE, INCLUDING THE IMPLIED WARRANTIES OF MERCHANTABILITY AND FITNESS FOR A PARTICULAR PURPOSE. GORILLA WILL NOT BE LIABLE FOR ANY INCIDENTAL OR CONSEQUENTIAL DAMAGES. This warranty is non-transferable and does not extend to the owners of the product subsequent to the original purchaser. Some states do not allow limitations on implied warranties or exclusion of incidental or consequential damages, so these restrictions may not be applicable to you. This warranty gives you specific legal rights. You may also have other rights which vary from state to state.

AUSTRALIA: Our goods come with guarantees that cannot be excluded under the Australian Consumer Law. You are entitled to a replacement or refund for a major failure and for compensation for any other reasonably foreseeable loss or damage. You are also entitled to have the goods repaired or replaced if the goods fail to be of acceptable quality and the failure does not amount to a major failure.

IMPORTANT SAFETY GUIDELINES

This product is recommended for use by children ages 3-10. This product is intended for residential use only and not intended for use in any public setting. A safety surface such as mulch or recycled tire should be used under the play set to prevent injury from falls. Also a 6 foot safety zone should be used around the entire play set.

As with any home project, good judgment and respect for power tools will greatly reduce the risk of injury. Gorilla recommends you follow all tool manufacturers' safety guidelines. Always wear eye protection and safety gloves to prevent injury. In several phases of construction two people may be required for lifting and securing of lumber. While the play set is being constructed, please keep children off the equipment until the project is complete. Bolts and screw heads should be checked regularly for tightness. The ground Access, rope Access, slide, swings and other areas where children spend a majority of their playtime should be checked more frequently.

Gorilla shall not be liable for incidental, indirect or consequential damages or injuries that result from building and/or playing on our play sets. Adult supervision is recommended anytime a play set is being used.

WARRANTY REGISTRATION

NAME: _____

Gorilla Playsets™ manufactures the finest quality products that are designed for outstanding strength and durability. We back our products with an unparalleled warranty. In the unlikely event that you will need to contact us about covered repairs, we must have a valid Warranty Registration on file.

3 EASY WAYS TO REGISTER	
OPTION 1	Fax this completed form to: (800) 880-3300 OR Mail this completed form to: Gorilla Playsets 166 Etowah Industrial Court Canton, GA 30114
OPTION 2	Complete the online registration form at: http://www.gorillaplaysets.com/register
OPTION 3	Scan this QR Code with your smartphone to complete the form using your phone: <div style="text-align: right; margin-top: 10px;">  </div>

Where did you buy this product?

Date of Purchase
Store
Store City
Store State

Your registration information:

Name: _____ Email: _____

Address: _____

Street
City
State
Zip

Please select your age 18-30 41-50
 31-40 51+

How old are your children? 2-3 6-7
 4-5 8+

How would you rate the quality of this product?

★★★★★ Excellent

★★★★ Above Average

★★★ Average

★★ Below Average

★ Poor

Would you recommend this product to friends & family? Yes No

Comments: _____

THIS PAGE INTENTIONALLY LEFT BLANK

IMPORTANT – PLEASE READ

Congratulations! You have just purchase one of the finest residential wooden swing sets available today. As with any wooden product that spends its entire life outside, in varying elements, it is important to know what to expect with your new swing set so that your family can enjoy it for many years.

As your swing set acclimates to its new environment, natural characteristics of the wood can show in the form of checks, or “cracks” in the lumber. In almost all cases this is normal and it will not affect the structural integrity of your play set and is not covered under warranty.

KEEPING YOUR PLAYSET LIKE NEW

MUST DO's

The following owner responsibilities are crucial to the safety, integrity and aesthetic appeal of your swing set and may affect the warranty if not adhered to.

WITHIN 60 DAYS

- Check and tighten Hex Bolts/T-nuts, Carriage Bolts/Lock-nuts, and Lag Screws within the first 60 days and then twice annually – once before each season and then once during the season.

WITHIN 90 DAYS

- Apply a **sealant** or **semi-transparent stain with sealant** within the first 90 days of owning the swing set. Our own Stain/sealant is available online here: <http://www.gorillaplaysets.com/Playground-Sealant-p/10-0003.htm>

Oil based stain or water based stain may be used. Should you choose to use other stain we suggest asking the product covering specialists at any number of specialty paint stores or home improvement centers for a product that would work best for your local environment. ** TIP – while the set is new, take a small board from your swing set to the store with you so they can color match the tint of the stain or sealant.

SEASONAL REMINDERS

- If your area experiences regular snowfall, remove your fabric tarp/canopy to avoid stretching, sagging or tearing of the material. Store it inside, folded up, and it will be as good as new when winter is over.
- If your area experiences extremely cold temperatures, remove swing belts and other pliable features to prolong the lifespan of these play activities.

OTHER TIPS

- Spray swing hangers with Pam, Mazola or olive oil to stop squeaking; do not use petroleum based products such as WD-40 or motor oil.
- To repel yellow jackets and wasps, use a cotton ball and dab interior wooden corners underneath the play set deck with a liquid dish soap. Avoid using insecticides.

For additional safety and maintenance guidelines, please visit our website.

Safety and Maintenance Tips for Your New Play Set:

NOTE: Your children's safety is our #1 concern. Observing the following statements and warnings reduces the likelihood of serious or fatal injury. Please review these safety rules regularly with your children.

- This play set is designed for the use of 10 occupants.
- On-site adult supervision is required.
- Teach children not to walk close to, in front of, behind, or between moving swings or other moving playground equipment.
- Teach children to sit in and never stand on swings
- Teach children not to twist the chains and ropes and not to loop them over the swing beam, since this may reduce the strength of the chain or rope.
- Teach children not to jump from swings or other playground equipment in motion.
- Teach children not to push empty seats. The seat may hit them and cause serious injury.
- Teach children to sit in the center of the swings with their full weight on the seats.
- Teach children not to use the equipment in a manner other than intended.
- Teach children to always go down slides feet first. Never slide headfirst.
- Teach children to look before they slide to make sure no one is at the bottom.
- Teach children to never run up a slide, as this increases their chances of falling.
- The parents should have the children dress appropriately with well-fitting shoes. Loose clothing such as scarves and ponchos should not be worn. Always take off, tie up or tuck in cords and drawstrings on children's clothing. These things can get caught on playground equipment and strangle a child.
- Teach children not to climb when the equipment is wet.
- Teach children to never jump from a fort deck. They should always use the Access, ramp or slide.
- Teach children to never crawl or walk across the top of monkey bars or swing beam.
- Teach children to never crawl on top of a fort roof or on the outside of a tube slide.
- Verify that any suspended climbing ropes, chains, or cables are secured at both ends and that they cannot be looped around an adult hand.
- Teach children not to attach items to the playground equipment that are not specifically designed for use with the equipment, such as, but not limited to, jump ropes, clothesline, pet leashes, cables and chain as they may cause a strangulation hazard.
- Teach children to never wrap their legs around swing rope.
- Teach children to never slide down the swing rope.
- Teach children to remove their bike or other sports helmet before playing on the playground equipment.
- Teach children to NEVER look at the sun or other bright light through any accessory such as but not limited to a telescope, periscope or binoculars.

WARNING: Children must NOT use this play set until it has been completely assembled and inspected by an adult to ensure it has been properly installed and the swing beam legs are anchored.

Safety and Maintenance Tips for Your New Play Set: (continued)

Playgrounds should be inspected on a regular basis. If any of the following conditions are noted, they should be removed, corrected, or repaired immediately to prevent injuries.

- Hardware that is loose, worn or that has protrusions or projections.
- Exposed equipment footings.
- Scattered debris, litter, rocks, or tree roots.
- Splinters, large cracks, and decayed wood components.
- Deterioration and corrosion on structural components, which connect to the ground.
- Missing or damaged equipment components, such as handholds, guardrails, swing seats.
- Check all nuts and bolts twice monthly during the usage season and tighten as required.
(But not so tight that you crack the wood) We recommend you check the swing beam and hardware often due to wood expansion and contraction. It is particularly important that this procedure be followed at the beginning of each season.
- Remove plastic swing seats and take indoors or do not use when the temperature drops below 32°F. Reinstall swings and other swing equipment at the beginning of the usage season.
- Oil all metallic moving parts monthly during the usage period.
- Check all coverings for bolts and sharp edges twice monthly during usage season to be certain they are in place. Replace when necessary. It is especially important to do this at the beginning of each new season.
- Check swing seats, ropes, cables and chains monthly during usage season for evidence of deterioration. Replacement should be made of any swing seat that has developed cracks in the plastic seats. Ropes, cables and chains should be removed and replaced if excessive wear is found. Contact us for warranted replacement parts.
- Swing chains, rings, ropes, etcetera should always be fastened to a rotating swing hanger. NEVER attach a chain, ring, rope, etcetera to a stationary hanger such as but not limited to an eye bolt. Severe wear could occur leading to an injury.
- For rusted areas on metallic members such as monkey bars, hand supports brackets, etc.; sand and repaint, using a non lead-based paint meeting the requirements of Title 16 C.F.R. Part 1303. These requirements are available at: <http://www.cpsc.gov/>
- Inspect wood parts monthly. The grain of the wood sometimes will lift in the dry season causing splinters to appear. Light sanding may be necessary to maintain a safe playing environment. If you are treating your play set with stain regularly, it will help prevent severe checking/splitting and other weather damage.
- Once or twice a year, depending on your climate conditions, you must apply some type of protection (sealant) to the wood of your unit. Prior to the application of sealant, lightly sand any "rough" spots on your set. Please note this is a requirement of your warranty.
- Creating and maintaining the play set on a level location is very important. As your children play, your play set will slowly dig its way into the soil, and it is very important that it settles evenly. Make sure the play set is level and true once each year or at the beginning of each play season.
- Twice a month during the usage season rake the playground protective surfacing materials to prevent compaction and maintain appropriate depths. Replace the protective surfacing materials as required.
- Disposal Instructions: When the play set is no longer desired, it should be disassembled and disposed of in such away that no unreasonable hazards will exist at the time the play set is discarded.

PLAYGROUND SURFACING MATERIALS

SECTION 4 OF THE CONSUMER PRODUCT SAFETY COMMISSION'S OUTDOOR HOME PLAYGROUND SAFETY HANDBOOK⁹

Select Protective Surfacing

One of the most important things you can do to reduce the likelihood of serious head injuries is to install shock-absorbing protective surfacing under and around your play equipment. The protective surfacing should be applied to a depth that is suitable for the equipment height in accordance with ASTM Specification F 1292. There are different types of surfacing to choose from; whichever product you select, follow these guidelines:

NOTE: Do not install home playground equipment over concrete, asphalt, or any other hard surface. A fall onto a hard surface can result in serious injury to the equipment user. Grass and dirt are not considered protective surfacing because wear and environmental factors can reduce their shock absorbing effectiveness. Carpeting and thin mats are generally not adequate protective surfacing. Ground level equipment – such as a sandbox, activity wall, playhouse or other equipment that has no elevated play surface – does not need any protective surfacing.

Loose-Fill Materials:

- Maintain a minimum depth of 9 inches of loose- fill materials such as wood mulch/chips, engineered wood fiber (EWF), or shredded/recycled rubber mulch for equipment up to 8 feet high; and 9 inches of sand or pea gravel for equipment up to 5 feet high. NOTE: An initial fill level of 12 inches will compress to about a 9- inch depth of surfacing over time. The surfacing will also compact, displace, and settle, and should be periodically refilled to maintain at least a 9- inch depth.
- Use a minimum of 6 inches of protective surfacing for play equipment less than 4 feet in height. If maintained properly, this should be adequate. (At depths less than 6 inches, the protective material is too easily displaced or compacted.)
- Use containment, such as digging out around the perimeter and/or lining the perimeter with landscape edging. Don't forget to account for water drainage. U.S Consumer Product Safety Commission, Washington, D.C., 20207 or call the toll-free hotline :1-800-638-2772
- Check and maintain the depth of the loose-fill surfacing material. To maintain the right amount of loose-fill materials, mark the correct level on play equipment support posts. That way you can easily see when to replenish and/or redistribute the surfacing.
- Do not** install loose fill surfacing over hard surfaces such as concrete or asphalt.

Poured-In-Place Surfaces or Pre-Manufactured Rubber Tiles:

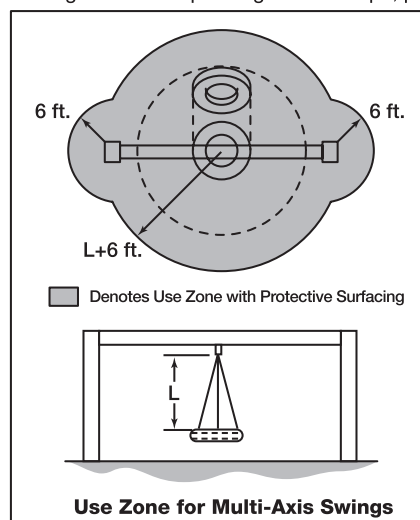
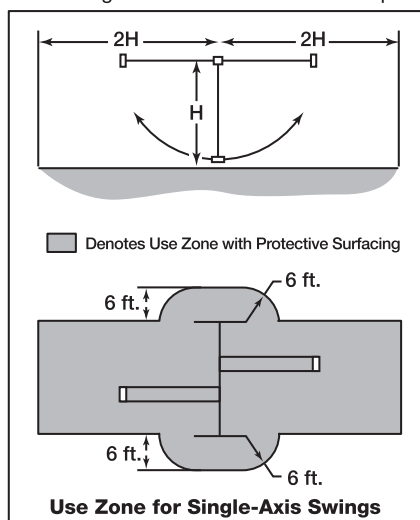
You may be interested in using surfacing other than loose-fill materials – like rubber tiles or poured-in-place surfaces.

- Installations of these surfaces generally require a professional and are not "do-it-yourself" projects.
- Review surface specifications before purchasing this type of surfacing. Ask the installer/manufacturer for a report showing that the product has been tested to the following safety standard: ASTM F 1292 Standard Specification for Impact Attenuation of Surfacing Materials within the Use Zone of Playground Equipment. This report should show the specific height for which the surface is intended to protect against serious head injury. This height should be equal to or greater than the fall height – vertical distance between a designated play surface (elevated surface for standing, sitting, or climbing) and the protective surfacing below – of your play equipment.
- Check the protective surfacing frequently for wear.

Placement

Proper placement and maintenance of protective surfacing is essential. Be sure to

- Extend surfacing at least 6 feet from the equipment in all directions.
- For to-fro swings, extend protective surfacing in front of and behind the swing to a distance equal to twice the height of the top bar from which the swing is suspended.
- For tire swings, extend surfacing in a circle whose radius is equal to the height of the suspending chain or rope, plus 6 feet in all directions.



⁹ This information has been extracted from the CPSC publications "Playground Surfacing—Technical Information Guide" and "Handbook for Public Playground Safety." Copies of these reports can be obtained by sending a postcard to the: Office of Public Affairs, U.S. Consumer Product Safety Commission, Washington, D.C., 20207 or call the toll-free hotline: 1-800-638-2772

Play Set Surfacing Recommendations:

Below are some of the recommendations that the U.S. Consumer Product Safety Commission (CPSC) offers from its Handbook for Public Playground Safety. The guide can be downloaded in full at www.cpsc.gov/cpscpub/pubs/325.pdf

1. Protective Surfacing - Since almost 60% of all injuries are caused by falls to the ground, protective surfacing under and around all playground equipment is the most critical safety factor on playgrounds.

Certain manufactured synthetic surfaces also are acceptable; however, test data on shock absorbing performance should be requested from the manufacturer.

Asphalt and concrete are unacceptable. They do not have any shock absorbing properties. Similarly, grass and turf should not be used. Their ability to absorb shock during a fall can be reduced considerably through wear and environmental conditions.

Certain loose-fill surfacing materials are acceptable. Surfacing materials are acceptable, such as the types and depths shown in the table.

Fall Heights and Materials

Type Of Material	6 in. depth	9 in. depth	12 in. depth
Double-Shredded bark mulch	6' Fall Height	10' Fall Height	11' Fall Height
Wood Chips	6' Fall Height	7' Fall Height	12' Fall Height
Fine Sand	5' Fall Height	5' Fall Height	9' Fall Height
Shredded Tires*	10-12' Fall Height	N/A	N/A
Fine Gravel	6' Fall Height	7' Fall Height	10' Fall Height

*This data is from tests conducted by independent testing laboratories on a 6-inch depth of uncompressed shredded tire samples produced by four manufacturers. The tests reported critical heights, which varied from 10 feet to greater than 12 feet. It is recommended that persons seeking to install shredded tires as a protective surface request test data from the supplier showing the critical height of the material when it was tested in accordance with ASTM F1292.

It should be recognized that all injuries due to falls cannot be prevented no matter what surfacing material is used.

2. Fall Zones - A fall zone, covered with a protective surfacing material, is essential under and around equipment where a child might fall. This area should be free of other equipment and obstacles onto which a child might fall. Stationary climbing equipment and slides should have a fall zone extending a Minimum of 6' in all directions from the perimeter of the equipment.

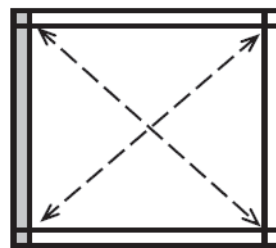
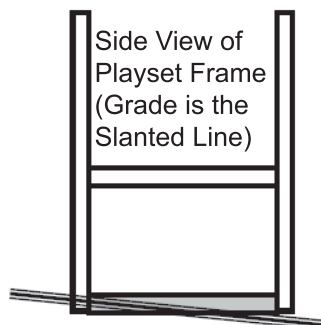
Swings should have a fall zone extending a minimum of 6' from the outer edge of the support structure on each side. The fall zone in front and back of the swing should extend out a minimum distance of twice the height of the swing as measured from the ground to the top of the swing support structure.

LEVELING YOUR FORT DURING ASSEMBLY

- Complete the steps which will be the basic frame of the fort. {i.e. four corner posts with base (sand box boards) and deck supports}
- Position in the most level area chosen for the play set, keeping in mind the location and size of the swing beam, Access, slides, etc. that extend off the fort.
- Once the frame is in the final position, check for vertical and horizontal levelness to determine which side(s) will need to be dug into the ground to level the play set.
- With a shovel, score the ground around the outside edges of the sandbox boards on the 'high' side of the fort. This is the area that will be dug in. Make sure to score deep enough; the scored lines will be your digging template.
- Push the frame off and away from the scored area, far enough to dig and remove dirt to reach the appropriate depth.
- Dig a channel along the scored line(s) for the base of the fort (corner post and sandbox boards) to rest into. Dig the channel(s) to the same level depth. The bottom of the channel(s) should be level to each other so your frame doesn't teeter or rock because the channel(s) are uneven.
- Once you have removed enough grass and dirt, slide/push the frame into the channel(s). Place a level on the vertical and horizontal boards of the frame to determine if enough soil, or too much, was removed.
- Repeat this process until the basic frame is plumb and level and in its final position before completing the rest of the assembly.
- Measure to make sure fort is square.

Important: if you require a channel depth of more than 6", then we recommend you have your play set area professionally graded before completing assembly.

Example Play area:



The diagonal measurements should be the same from corner post to corner post. If not, adjust corner posts so that the distance is equal.

■ = Area to be scored and channeled for levelness

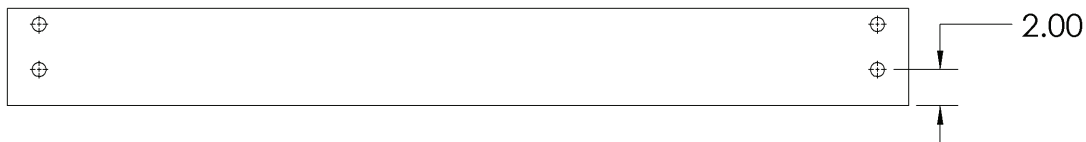
General Info to Review Before Installation

- Depending on your experience, assembly of the playset can take as little as 6 hours up to 24 hours, depending on size, after inventory of parts; therefore, we recommend you set aside a full two days for assembly.
- Identify all of the parts for your play set. Empty each box and lay out boards so you can see each part. Your instruction book will have detailed drawings that will make it easy for you to recognize individual parts. Keep all hardware and metal parts separate from wooden pieces.
- After everything is laid out, check carefully to ensure all parts are present. Make sure there are no broken boards.
- Find an area to sort your hardware. It is best to open the hardware on a solid surface so that you do not lose any pieces in the grass. This will save time and familiarize you with all the different pieces in the hardware bag.
- Important note: Wood has some natural defects such as knots, surface cracks, etc... We reject parts that are structurally defective. We use a high quality lumber in our structures; however, you should inspect each part for splinters or rough spots and sand them smooth to prevent injury.
- After familiarizing yourself with all of the components, read all instructions thoroughly. Reading instructions after you have studied the parts will help you understand the installation process, and help to eliminate unnecessary mistakes.
- Pay close attention to the diameter and length of each bolt and screw.
- Never tighten hardware completely at first. It helps to have some adjustment for bolt alignment while you are attaching parts together. After everything is square, tighten each joint.
- After the main unit is assembled it is critical that the floor is level and square. If the main frame is not level, the walls and floor will be out of square.
- After you complete installation, make sure every bolt, screw, and nut is tight, and every board is secure. Wood will expand and contract with the seasons.
- Place the set on level ground, not less than 6 feet from any structure or obstruction such as a fence, garage, house, overhanging branches, laundry lines, or electrical wires.

This page is a list of definitions and explanations used throughout our instructions to aid you in the assembly of your play set.

Offset Holes- Throughout the installation procedures we will refer to parts with offset holes. This refers to the orientation of the holes on the board. An offset hole is one that is closer to one side than it is the other or in other words, it is not centered on the board. In the procedures you will be instructed to attach the boards with the holes offset up or with the holes offset down. This refers to which side of the board the hole/holes should be closer to. Offset holes up= hole/holes will be closer to the top of the board. Offset holes down= hole/holes will be closer to the bottom of the board. Note: some parts do not have offset holes, but instead the holes are on center. Therefore there will not be any reference on how to offset these parts.

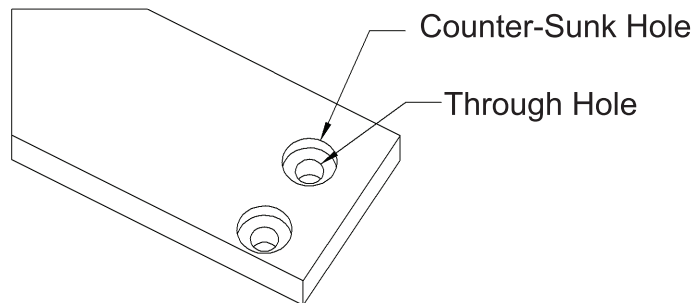
EXAMPLE OF OFFSET HOLES UP



EXAMPLE OF OFFSET HOLES DOWN



Counter-sunk holes - Many of the parts that will be used have counter-sunk holes. A counter-sunk hole is one that surrounds one side of a through hole, but does not extend through the wood it's self. When using a counter-sunk hole the bolt will be inserted through the through hole and either the head of the bolt and washer or nut and washer will occupy the counter sunk hole.



Lag Screws- Lag screws are used in the construction of our play sets to enhance the structural integrity of the unit. There will not be predrilled holes in the post for lag screw installation. Lag screws are self-tapping, though if you are using a manual socket wrench it may be advantageous to pre-drill a hole first. Instructions for this are provided on a separate page in the front of the manual. Be sure to tighten the lags completely when driving them in by hand. Power tools such as a heavy duty impact driver or large power drill should have enough torque to drive in the lag screws, but make sure not to over tighten as this can cause the threads to “strip out” in the post.

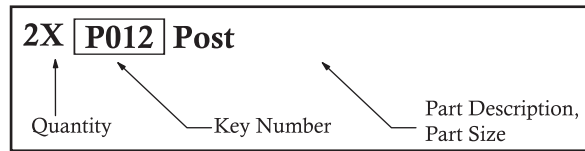
Keys to Assembly Success

Tools Required

<ul style="list-style-type: none"> • Tape Measure • Carpenters Level • Carpenters Square • Claw Hammer • Standard or Cordless Drill 	<ul style="list-style-type: none"> • #2 Phillips bit or Screwdriver • Ratchet with extension (7/16", 1/2" & 9/16" sockets) 	<ul style="list-style-type: none"> • Open End Wrench (7/16", 1/2", 9/16" & 5/8") • Adjustable Wrench • Pencil 	<ul style="list-style-type: none"> • 8' Step Ladder x 2 • Safety Glasses • Adult Helpers
--	--	--	---

Part Identification Key

On each page, you will find the parts and quantities required to complete the assembly step illustrated on that page. Here is a sample.



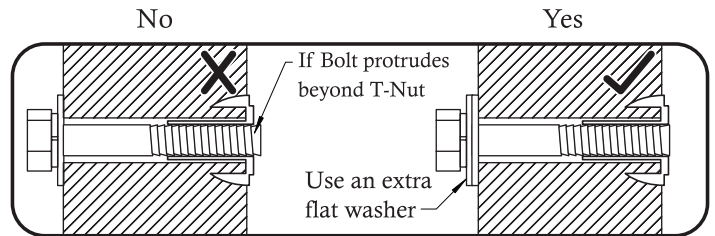
Symbols

Throughout these instructions symbols are provided as important reminders for proper and safe assembly.

<p>This identifies information that requires special attention. Improper assembly could lead to an unsafe or dangerous condition.</p>	<p>Check that set or assembly is properly level before proceeding.</p> <p>Use Level</p>
<p>Use Help</p> <p>Use Help</p> <p>Where this is shown, 2 or 3 people are required to safely complete the step. To avoid injury or damage to the assembly make sure to get help!</p>	<p>Pre-drill 1/8" & 3/16" Bit</p> <p>Pre-drill a pilot hole before fastening screw or lag to prevent splitting of wood.</p>
<p>Measure Distance</p> <p>Check that assembly is square before tightening bolts.</p> <p>Square Assembly</p> <p>Use a measuring tape to assure proper location.</p>	<p>Tighten Bolts</p> <p>This indicates time to tighten bolts, but not too tight! Do not crush the wood. This may create splinters and cause structural damage.</p>

CAUTION – Protrusion Hazard

Once the assembly is tightened, watch for exposed threads. If a thread protrudes from the T-Nut, remove the bolt and add washers to eliminate this condition. Extra washers have been provided for this purpose.

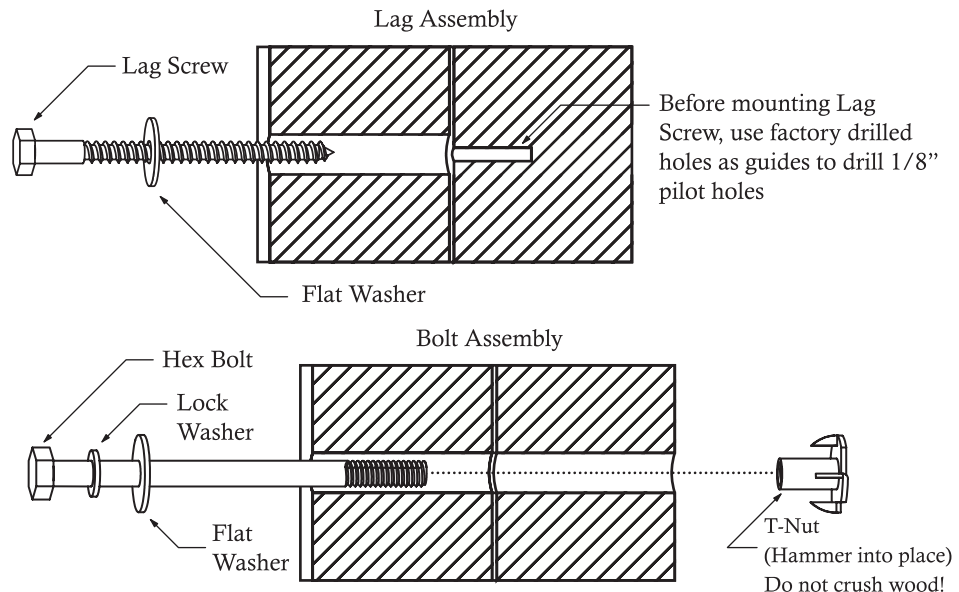


Proper Hardware Assembly

Lag screws require drilling pilot holes to avoid splitting wood. Only a flat washer is required. For ease of installation liquid soap can be used on all lag-type screws.

For bolts, tap T-Nut into hole with hammer. Insert the hex bolt through lock washer first then flat washer then hole. Because the assemblies need to be squared do not completely tighten until instructed. Pay close attention to diameter of the bolts. 5/16" is slightly larger than 1/4".

Note: Wafer head bolts with blue lock tight or a bolt with a Ny-Lok nut do NOT require a lock washer.





IMPORTANT DOCUMENTS

CUSTOMER MUST READ AND RETAIN

Please go to the following links and read important SAFETY information prior to using your new play structure.

<http://www.gorillaplaysets.com/safety-tips/>

<https://www.gorillaplaysets.com/suggested-maintenance>

<http://www.gorillaplaysets.com/assembly-manuals/>

(Click on your specific model)

<http://www.gorillaplaysets.com/warranty/>

NOTE: Your children's safety is our #1 concern. Observing the following statements and warnings reduces the likelihood of serious injury. Please review these safety rules regularly with your children.

WARNING:

Children must NOT use this play set until it has been completely assembled and inspected by an adult to ensure it has been properly installed.

Gorilla Playsets
166 Etowah Industrial Court
Canton, GA. 30114

Part Identification (Dimensions are approximate and are shown to assist in the identification of parts for assembly. Actual dimensions may be smaller or larger.)

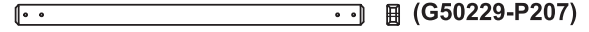
4pc. (P001) - Long Post 2336.8 (92") FSC



4pc. (P002) - Lower Post 1092.2 (43") FSC



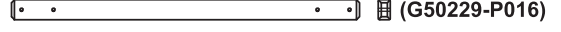
1pc. (P207) - Door Wall Upright 552.5 (21-3/4") FSC



1pc. (P005) - Back Floor Support 1206.5 (47-1/2") FSC



4pc. (P016) - Upright 552.5 (21-3/4") FSC



1pc. (P006) - Floor Joist 1206.5 (47-1/2") FSC



4pc. (P014) - Trim 342.9 (13-1/2") FSC



9pc. (P007) - Floor Board 1141.3 (44-15/16") FSC



1pc. (P010) - Door Stop 254 (10") FSC



1pc. (P008) - Ground 1206.5 (47-1/2") FSC



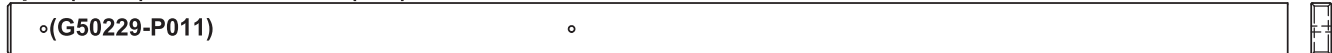
2pc. (P099) - Gusset 304.8 (12") FSC



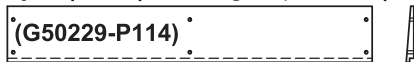
1pc. (P009) - Side Ground 1206.5 (47-1/2") FSC



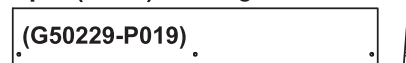
1pc. (P011) - Mid Post 2032 (80") FSC



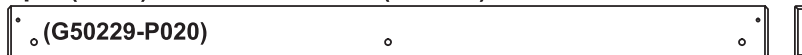
1pc. (P114) - Siding Top 579.3 (22-13/16") FSC



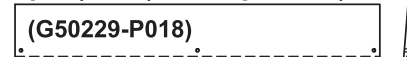
1pc. (P019) - Siding Bottom 579.3 (22-13/16") FSC



1pc. (P020) - Mid Front 1206.5 (47-1/2") FSC



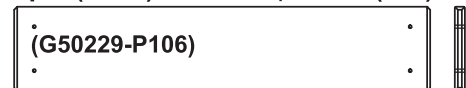
3pc. (P018) - Siding 579.3 (22-13/16") FSC



3pc. (P023) - Top Siding 1141.4 (44-15/16") FSC



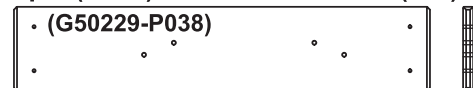
1pc. (P106) - Rock Top 660.4 (26") FSC



8pc. (P026) - Siding 1141.4 (44-15/16") FSC



5pc. (P038) - Rock Board 660.4 (26") FSC

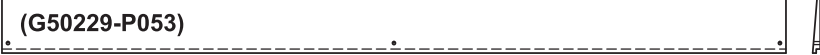


3pc. (P027) - Bottom Siding 1141.4 (44-15/16") FSC



Part Identification (Dimensions are approximate and are shown to assist in the identification of parts for assembly. Actual dimensions may be smaller or larger.)

20pc. (P053) - Roofing 1244.5 (49") FSC



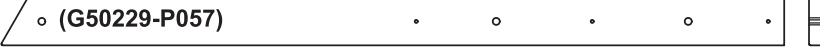
1pc. (P058) - A-Frame Support Joiner 1219.2 (48") FSC



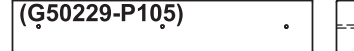
1pc. (P060) - Front Floor Support 1206.5 (47-1/2") FSC



2pc. (P057) - A-Frame Support 1244.6 (49") FSC



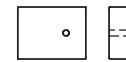
1pc. (P105) - Slide Block 476.1 (18-3/4") FSC



2pc. (P065) - Back Wall Board 889 (35") FSC



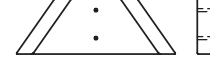
1pc. (P039) - Rock Wall Block 107.9 (4-1/4") FSC



1pc. (P088) - Back Top 1206.5 (47-1/2") FSC



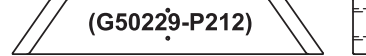
1pc. (P237) - Dormer Block 254 (10") FSC



3pc. (P098) - Mid Chalk Wall Upright 838.2 (33") FSC



1pc. (P212) - Dormer Block Long 495.3 (19-1/2") FSC



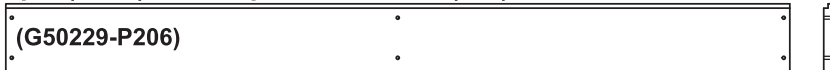
2pc. (P217) - Roof Joist 992.9 (39-3/32") FSC



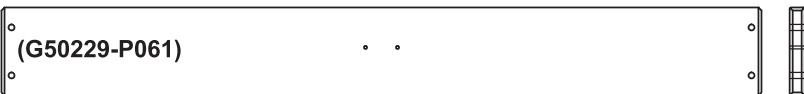
1pc. (P117) - A Frame Mid Support 1360.3 (53-9/16") FSC



2pc. (P206) - Roofing Bottom 1244.5 (49") FSC



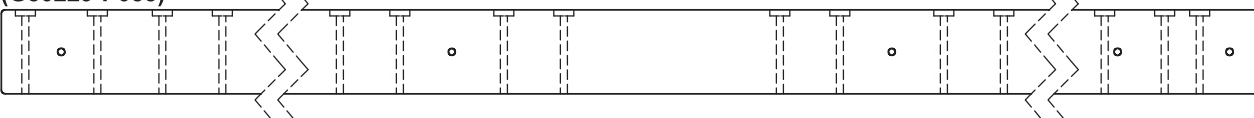
2pc. (P061) - Floor End 1206.5 (47-1/2") FSC



1pc. (P222) - Door Wall Sandbox Base 1206.5 (47-1/2") FSC



1pc. (P055) - SW Beam 2336.8 (92") FSC
(G50229-P055)

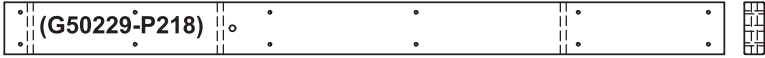


1pc. (P059) - SW Ground 2184.4 (86") FSC

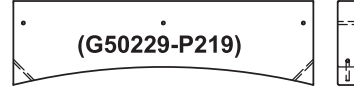


Part Identification (Dimensions are approximate and are shown to assist in the identification of parts for assembly. Actual dimensions may be smaller or larger.)

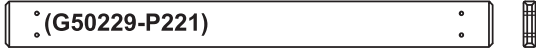
4pc. (P218) - Upper Post 1143 (45") FSC



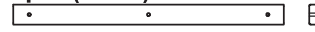
1pc. (P219) - Door Top Arch 476.3 (18-3/4") FSC



1pc. (P221) - Door Wall Top 644.3 (25-3/8") FSC



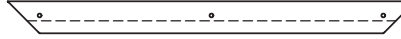
2pc. (P220) - Door Wall Trim 429.7 (16-29/32") FSC



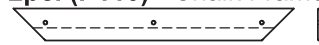
1pc. (P037) - Rock Bottom 949.4 (37-3/8") FSC



2pc. (P111) - Chalk Frame B 647.2 (25-15/32") FSC



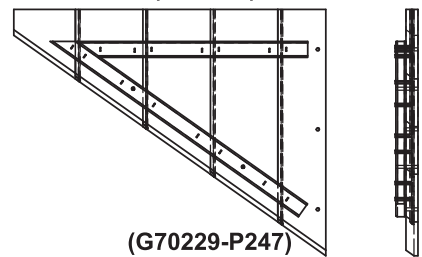
2pc. (P110) - Chalk Frame A 445.2 (17-17/32") FSC



2pc. (P036) - Rock Rail 1256 (49-7/16") FSC



1pc. (P247) - Roof Dormer Left 495.3 (19-1/2") FSC



2pc. (P028) - SW Mid Wall 1206.5 (47-1/2") FSC



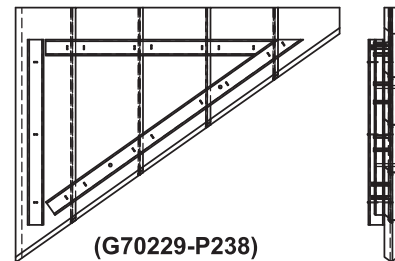
1pc. (P017) - Diagonal 917.1 (36-1/8") FSC



2pc. (P021) - Turbo Spacer 631.8 (24-7/8") FSC



1pc. (P238) - Roof Dormer Right 514.4 (20-1/4") FSC



1pc. (P033) - SW Mount 1206.5 (47-1/2") FSC



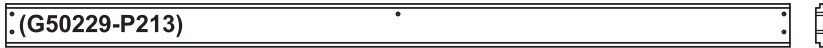
2pc. (P215) - Roof Base Filler Rail 1206.5 (47-1/2") FSC



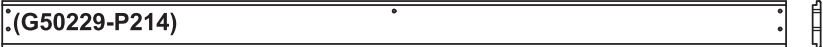
2pc. (P209) - Turbo Wall Board 1065 (41-15/16") FSC



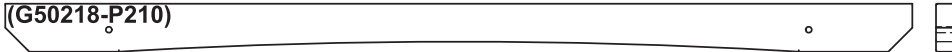
1pc. (P213) - Peak Cap 1244.5 (49") FSC



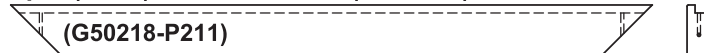
1pc. (P214) - Peak Cap Wide 1244.5 (49") FSC



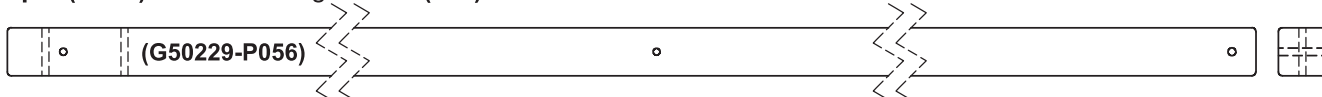
1pc. (P210) - Roof Base Rail Arch 1440.1 (56-11/16") FSC



4pc. (P211) - Fascia 1018.3 (40-3/32") FSC

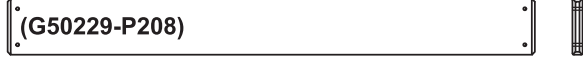


2pc. (P056) - A-Frame Leg 2336.8 (92") FSC



Part Identification (Dimensions are approximate and are shown to assist in the identification of parts for assembly. Actual dimensions may be smaller or larger.)

8pc. (P208) - Wall Board 837 (32-15/16") FSC



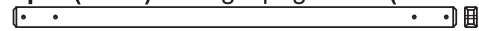
1pc. (P236) - Door Top Filler 476.3 (18-3/4") FSC
(G50229-P236)



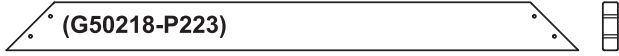
1pc. (P096) - Chalk Wall Board 644.6 (26-5/32") FSC



2pc. (P089) - Long Upright 703 (27-11/16") FSC
(G50229-P089)



2pc. (P223) - Gable Bottom 908.1 (35-3/4") FSC



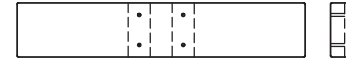
2pc. (P013) - Turbo Trim Wall 501.5 (19-3/4") FSC
(G50229-P013)



1pc. (P044) - Turbo SL Center Post 227.2 (8-15/16") FSC
(G50229-P044)



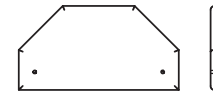
1pc. (P046) - Turbo SL Base 457.2 (18") FSC
(G50229-P046)



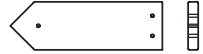
2pc. (P045) - Turbo SL Side Post 198.1 (7-13/16") FSC



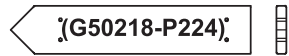
2pc. (P226) - Sunburst 254 (10") FSC
(G50218-P226)



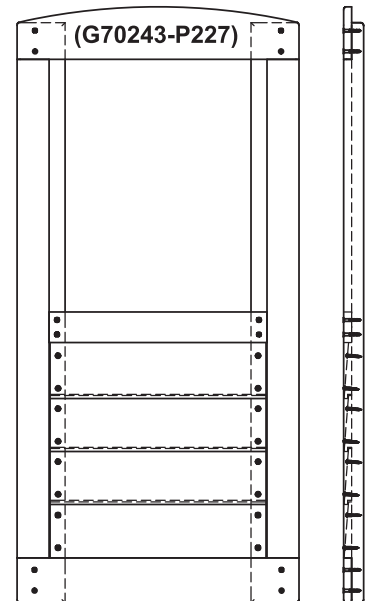
4pc. (P225) - Side Gable 241.3 (9-1/2") FSC
(G50218-P225)



2pc. (P224) - Center Gable 381 (15") FSC



1pc. (P227) - Door 945.8 (37-1/4") FSC



1pc. (P048) - SL Support 1206.5 (47-1/2") FSC



2pc. (P040) - Turbo Upright 1028.8 (40-1/2") FSC



1pc. (P043) - Turbo SL Bottom 1206.5 (47-1/2") FSC



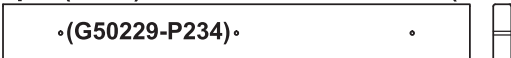
1pc. (P041) - Turbo Bottom 1206.5 (47-1/2") FSC



1pc. (P216) - Roof Base Rail 1440.1 (56-11/16") FSC



2pc. (P234) - Turbo Slide Filler 617.5 (24 5/16") FSC

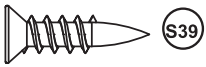


1pc. (P232) - Turbo Slide Top 1206.5 (47-1/2") FSC



Hardware Identification (Dimensions are approximate and are shown to assist in the identification of parts for assembly. Actual dimensions may be smaller or larger.)

3pc. Wood Screw #7 x 3/4" (Y06018-003)



S39

118pc. Wood Screw #8 x 1 1/8" (Y06018-514)



S1

128pc. Wood Screw #8 x 1 1/2" (Y06018-512)



S2

55pc. Wood Screw #8 x 1 3/4" (Y06018-513)



S15

132pc. Wood Screw #8 x 2 1/4" (Y06018-521)



S35

12pc. Wood Screw #8 x 3" (Y06018-530)



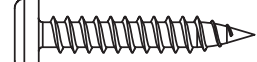
S4

30pc. Pan Screw #8 x 1/2" (Y06418-502)



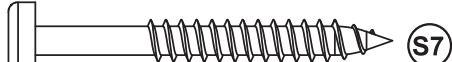
S5

4pc. Pan Screw #10 x 1 1/4" (Y06418-711)



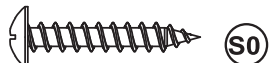
S12

17pc. Pan Screw #12 x 2" (Y06418-620)



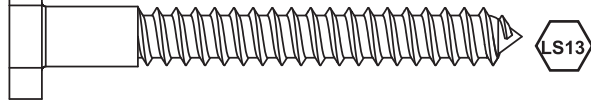
S7

168pc. Truss Head Screw #8 x 7/8" (Y06418-505)



S0

1pc. Lag Screw 5/16 x 2" (Y06218-920)



LS13

13pc. Lag Screw 5/16" x3, 1/4" Shank (Y06218-330)



LS6

20pc. Hex Bolt 1/4 x 1 1/4" (Y07718-211)



H9

1pc. Hex Bolt 1/4 x 2 1/4" (Y07718-221)



H10

5pc. Hex Bolt 1/4 x 2 1/2" (Y07718-222)



H3

2pc. Hex Bolt 1/4 x 3 1/2" (Y07718-232)



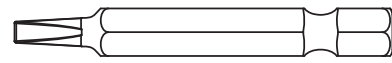
H13

6pc. Hex Bolt 1/4 x 4" (Y07718-240)



H4

1pc. #2 x 2" Robertson Driver (Y00400-005)

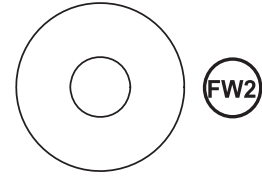


28pc. 3/16" Flat Washer (Y05118-101)



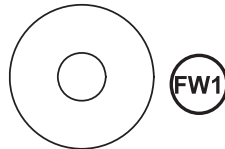
FW0

8pc. 5/16" Flat Washer Type B (Y05118-203)



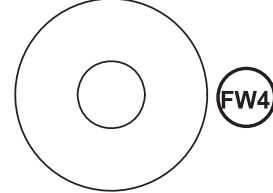
FW2

10pc. 1/4" Flat Washer (Y05118-201)



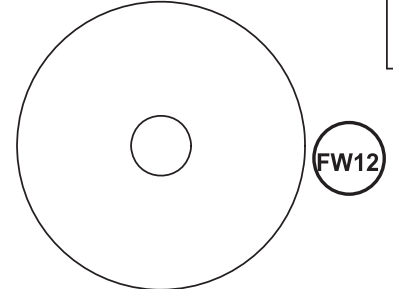
FW1

32pc. 3/8" Flat Washer (Y05118-801)



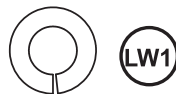
FW4

59pc. 1/4-5/16" x 1 1/4" Large Washer (Y05118-311)



FW12

40pc. 1/4" Lock Washer (Y05318-200)



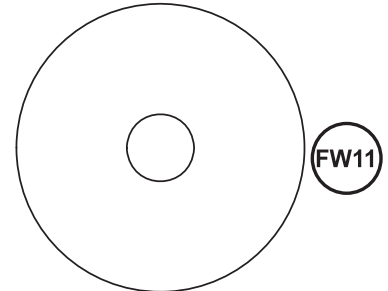
LW1

33pc. 5/16" Lock Washer (Y05318-300)



LW2

8pc. 3/8 x 1 1/4" Large Washer (Y05118-811)



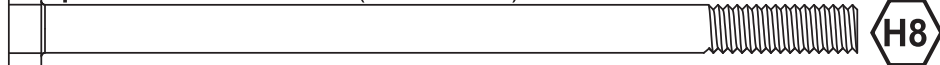
FW11



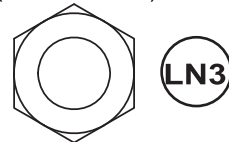
1pc. 1/8" Drill Bit (Y00400-002)

Hardware Identification (Dimensions are approximate and are shown to assist in the identification of parts for assembly. Actual dimensions may be smaller or larger.)

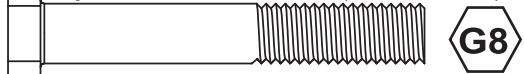
6pc. Hex Bolt 1/4 x 4 1/4" (Y07718-241)



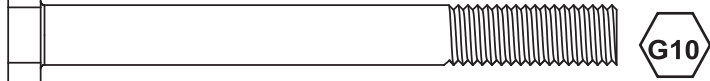
25pc. 3/8" Lock Nut (Y08318-803)



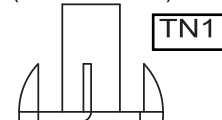
12pc. Hex Bolt 5/16 x 2" (Y07718-320)



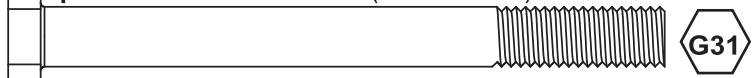
2pc. Hex Bolt 5/16 x 3" (Y07718-330)



40pc. 1/4" Tee Nut (Y08518-200)



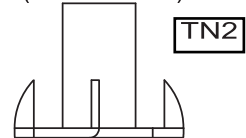
7pc. Hex Bolt 5/16 x 3 1/4" (Y07718-331)



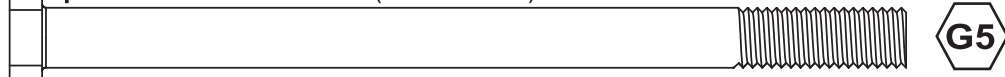
6pc. Hex Bolt 5/16 x 3 3/4" (Y07718-333)



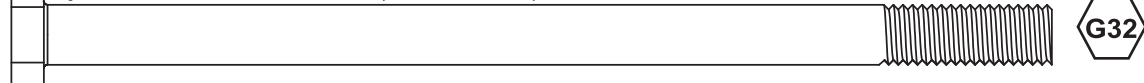
33pc. 5/16" Tee Nut (Y08518-300)



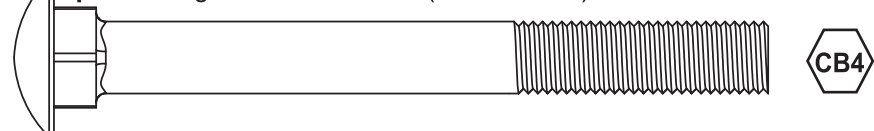
4pc. Hex Bolt 5/16 x 4 1/2" (Y07718-342)



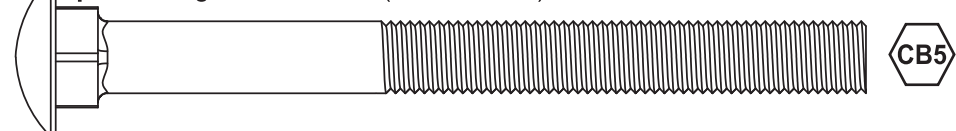
2pc. Hex Bolt 5/16 x 5 1/4" (Y07718-351)



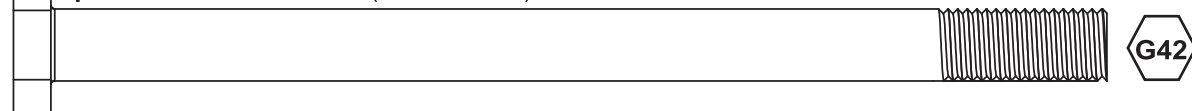
8pc. Carriage Bolt 3/8 x 3 1/2" (Y07418-832)



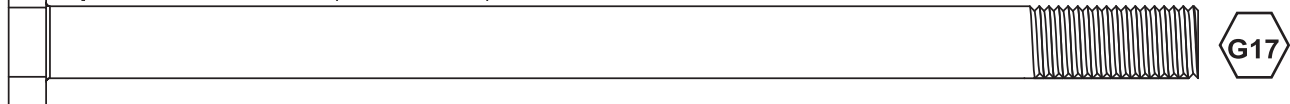
2pc. Carriage Bolt 3/8 x 4" (Y07418-840)



2pc. Hex Bolt 3/8 x 5 1/2" (Y07718-852)



12pc. Hex Bolt 3/8 x 6" (Y07718-860)

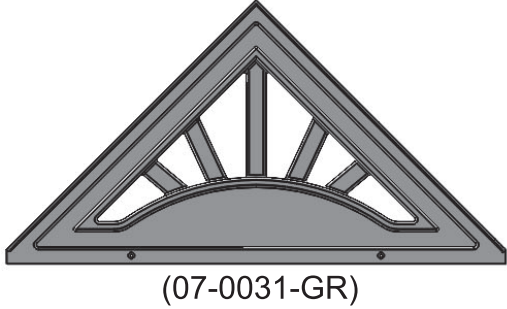


1pc. Hex Bolt 3/8 x 8 3/4" (Y07718-883)

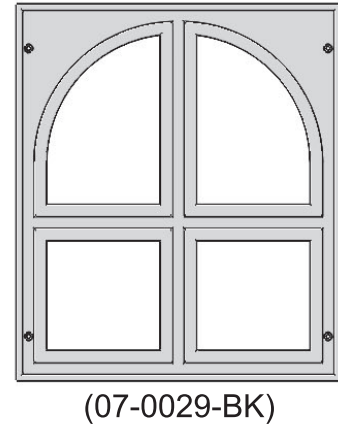


Part Identification (Dimensions are approximate and are shown to assist in the identification of parts for assembly. Actual dimensions may be smaller or larger.)

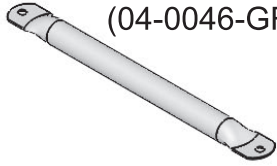
1pc. Plastic Dormer Sunburst - Grey



1pc. Plastic Dormer Window - Black



1pc. Acro Bar - Grey
(04-0046-GR)



1pc. ASTM Warning Plate
(11-5050-FR)



1pc. Climbing Rope - Grey
(10-1007-GR)



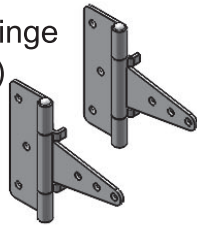
1pc. ASTM Warning Plate
(11-5050-EN/SP)



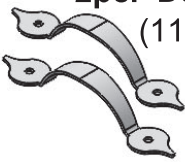
1pc. 19in Rope Assembly (2pk)
(10-1013-W-2PK)



2pc. Door Hinge
(11-5046-BK-B)



2pc. Door Handle
(11-5046-BK-A)



1pc. Catch Plate
(Y00400-782)



1pc. Magnetic Catch
(FS-2914-BK)

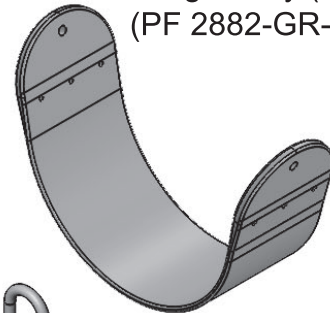


2pc. Acro Handle - Grey
(04-0045-GR)



1pc. Door Handle Set - Black
(11-5046-BK)

1pc. Belt Swing - Grey (2pk)
(PF 2882-GR-2PK)



1pc. Skyline Chalk Board -Black

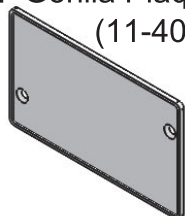


(07-0018-1)

1pc. Playset ID Plaque
(11-4029)



1pc. Gorilla Plaque
(11-4018)



(FS 2787-Z-12PK)

1pc. Threaded Quick Link (12pk)



1pc. Rocks
Black/Grey (10pk)
(07-0050-BK/
GR-10PK)

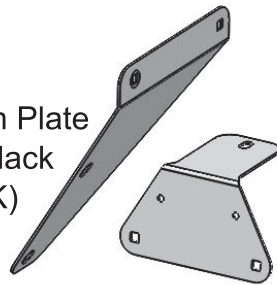


1pc. Safety Handles - Grey (2pk)

1pc. 46in Rope Assembly (4pk)
(10-1014-W-4PK)

Part Identification (Dimensions are approximate and are shown to assist in the identification of parts for assembly. Actual dimensions may be smaller or larger.)

1pc. Post SW Beam Plate
Left MM-2448 - Black
(11-5019-BK)

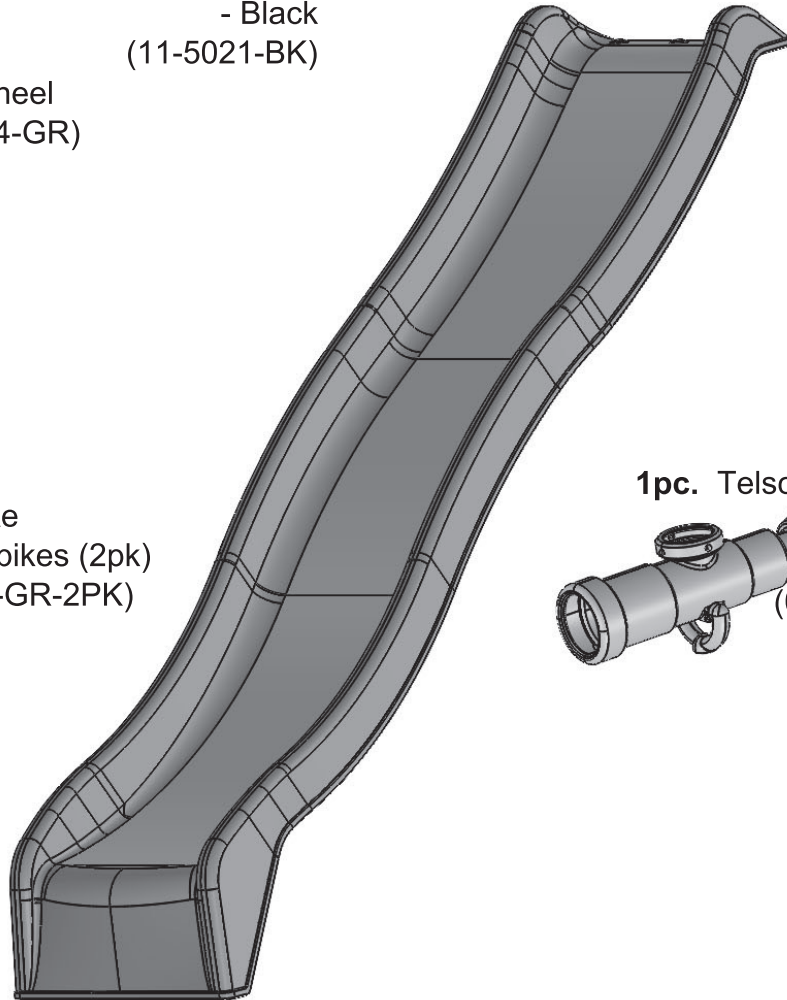


1pc. Post SW Beam Plate
Right MM-2447 - Black
(11-5020-BK)

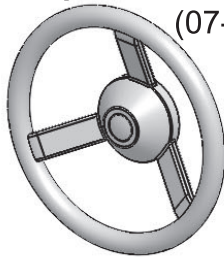


1pc. Post
Swing Beam
under Bracket
- Black
(11-5021-BK)

1pc. Wave Slide (48" Deck)
(03-0032-GR)



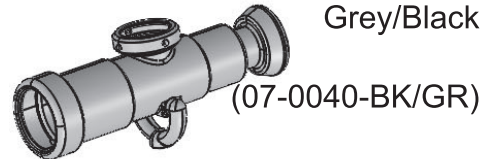
1pc. Steering Wheel
(07-0004-GR)



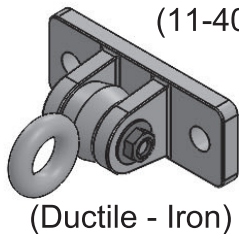
3pc. Anchor Stake
with Spikes (2pk)
(11-5110-GR-2PK)



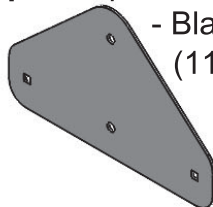
1pc. Telescope w Compass
Grey/Black



6pc. Swing Hanger - Black
(11-4012-BK)

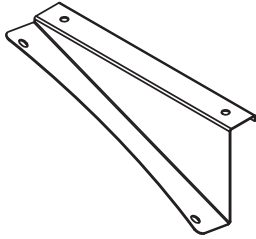


1pc. Triplate
- Black
(11-5025-BK)

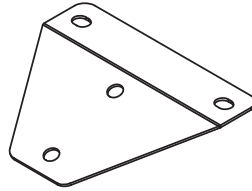


TURBO SLIDE COMPONENTS

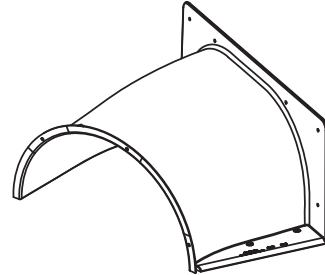
1pc. Slide Mount Bracket
(11-5030 BK)



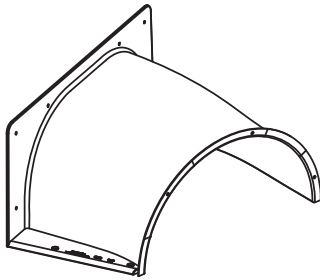
1pc. Exit Support Bracket
(11-5031 BK)



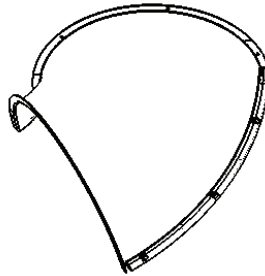
1pc. Entrance Section - Right Side
(03-0040 GR)



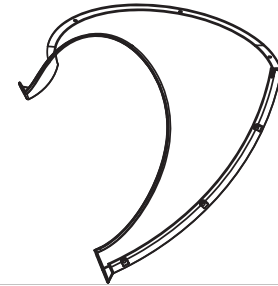
1pc. Entrance Section - Left Side
(03-0041 GR)



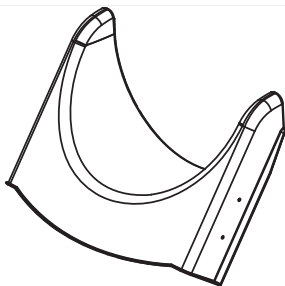
9pc. Elbow Section
(03-0042 GR)



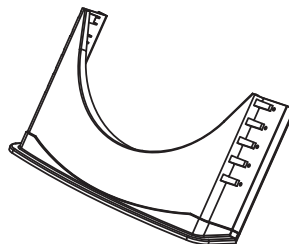
1pc. Exit Elbow Section
(03-0043 GR)



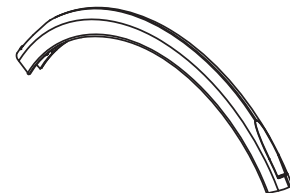
1pc. Exit Section
(03-0044 GR)



1pc. Exit Base
(03-0045 GR)



15pc. Clamp Ring Section
(03-0046 GR)



TURBO SLIDE HARDWARE

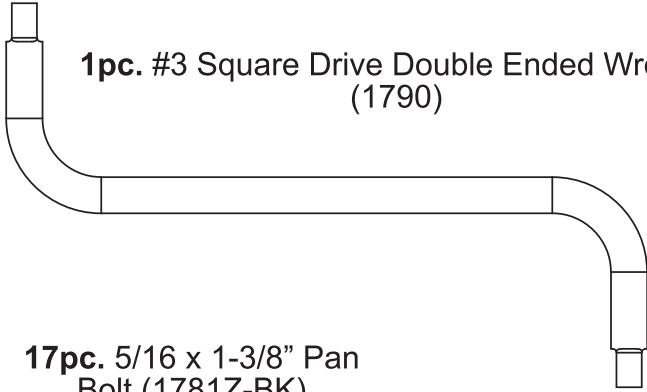
1pc. #3 Square Drive Double Ended Bit
(1791)



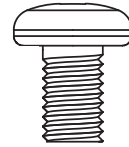
1pc. #2 Square Drive Bit
(FS 2824)



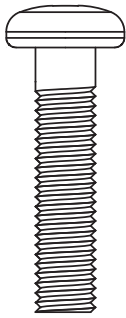
1pc. #3 Square Drive Double Ended Wrench
(1790)



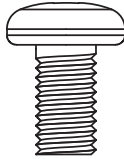
46pc. 5/16 x 1/2" Pan Bolt
(1784Z-BK)



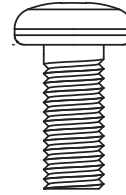
17pc. 5/16 x 1-3/8" Pan Bolt
(1781Z-BK)



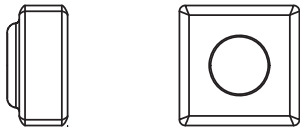
42pc. 5/16 x 9/16" Pan Bolt
(1783Z-BK)



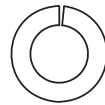
2pc. 5/16 x 3/4" Pan Bolt
(1782Z-BK)



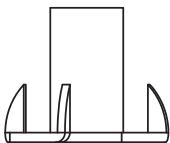
42pc. 5/16" Square Lock Nut
(1785Z-BK)



1pc. 5/16" Lock Washer
(1332Z-BK)

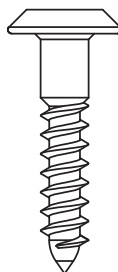


1pc. 5/16" T-Nut (1381Z-BK)

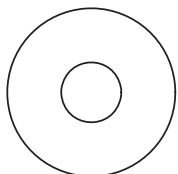


8pc. #8 x 2-1/4" Wood Screw
(1723Z-BK)

20pc. 1/4 x 1-1/4" Wafer Head Lag Screw
(1786Z-BK)



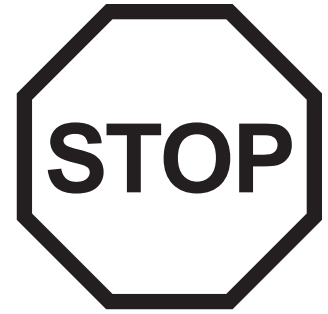
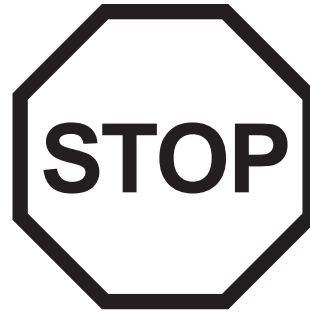
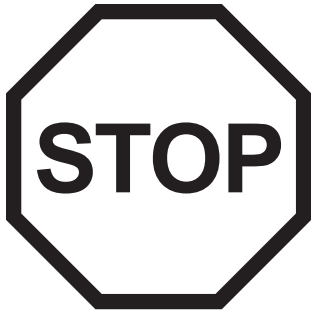
1pc. 5/16" Washer
(1336Z-BK)



1pc. 5/16 x 4-1/4" Hex Bolt
(1733Z-BK)



Step 1: Inventory Parts - Read This Before Starting Assembly



- A.** This is the time for you to inventory all your hardware, wood and accessories, referencing the parts identification sheets. This will assist you with your assembly.
- Each step indicates which bolts and/or screws you will need for assembly, as well as any flat washers, lock washers, t-nuts or lock nuts.
- B.** If there are any missing or damaged pieces or you need assistance with assembly please contact the consumer relations department directly.
Contact us before going back to the store.

www.gorillaplaysets.com/customer-care

- C.** Read the assembly manual completely, paying special attention to ANSI warnings; notes; and safety/maintenance information on pages 2 - 16.
- Follow the instructions in order.
 - This structure is designed to be assembled and installed ideally by three people, DO NOT attempt to install alone.
 - Consider the slope of elevation where you plan to install the structure. Also, check for gas, telephone, other utilities or sprinkler line locations prior to excavating any holes.
- D.** Before you discard your cartons fill out the form below.
- The carton I.D. stamp is located on the end of each carton.
 - Please retain this information for future reference. You will need this information if you contact the Consumer Relations Department.

PRODUCT NUMBER: GM52008

CARTON I.D. STAMP: __ __ __ __ __ 14459 __ (Box 1)

CARTON I.D. STAMP: __ __ __ __ __ 14459 __ (Box 2)

CARTON I.D. STAMP: __ __ __ __ __ 14459 __ (Box 3)

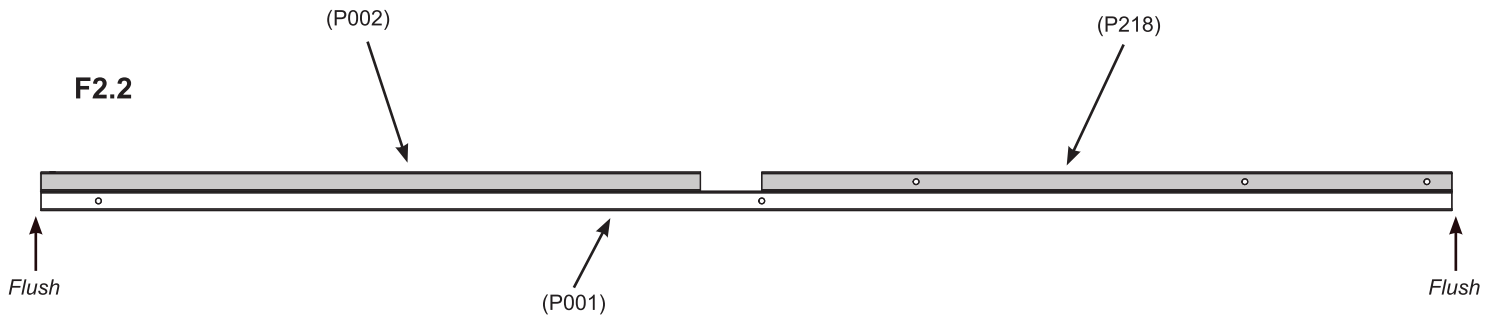
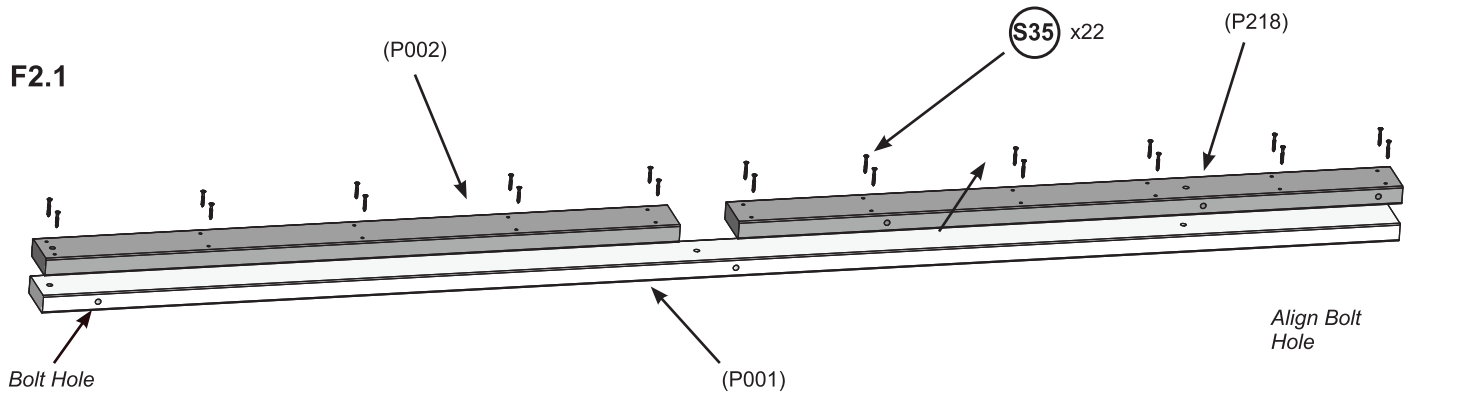
CARTON I.D. STAMP: __ __ __ __ __ 14459 __ (Box 4)

Step 2: Post Assembly

A: Lay one (P001) on a flat surface, taking note of hole orientation. Place one (P002) on (P001) making sure that it's flush to the end with the bolt hole and the holes are aligned. Attach Posts with 10 S35. (F2.1 and F2.2)

B: Place 1 (P218) on the opposite side so it's flush at the end and the bolt holes are aligned. Attach Posts with 12 S35. (F2.1 and F2.2)

C: Repeat Steps A and B to make 3 more Post Assemblies.



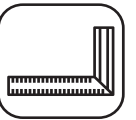
Wood Parts

- 4 x (P001) Long Post
- 4 x (P002) Lower Post
- 4 x (P218) Upper Post

Hardware

88x S35 #8 x 2-1/4" Wood Screw

Step 3: Front Wall Assembly



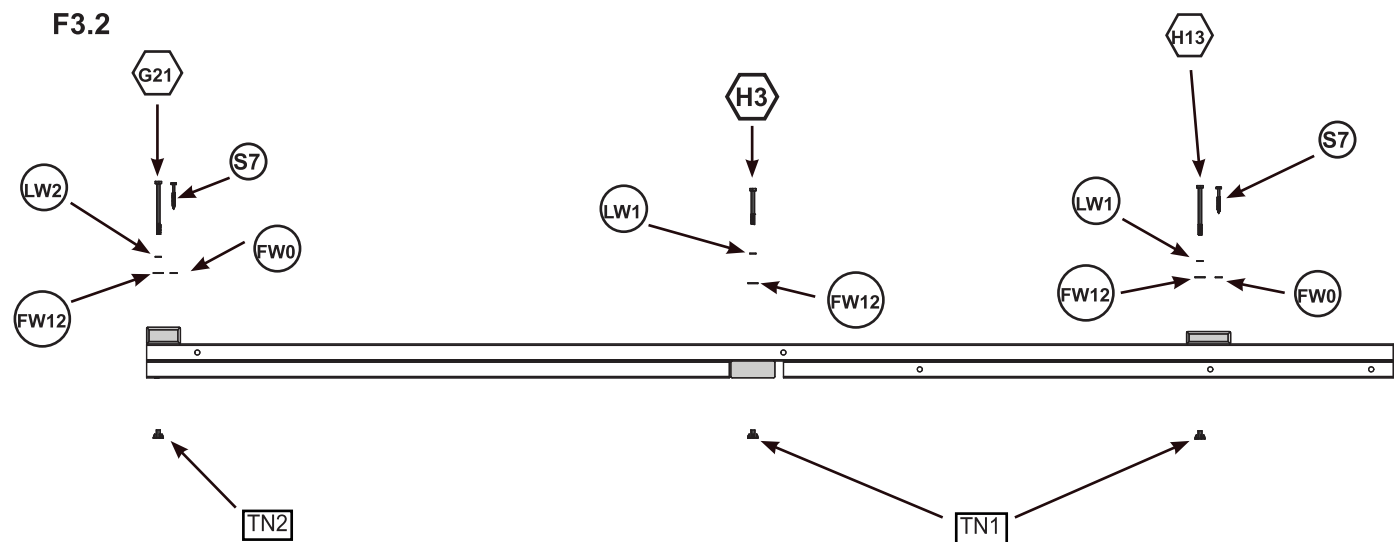
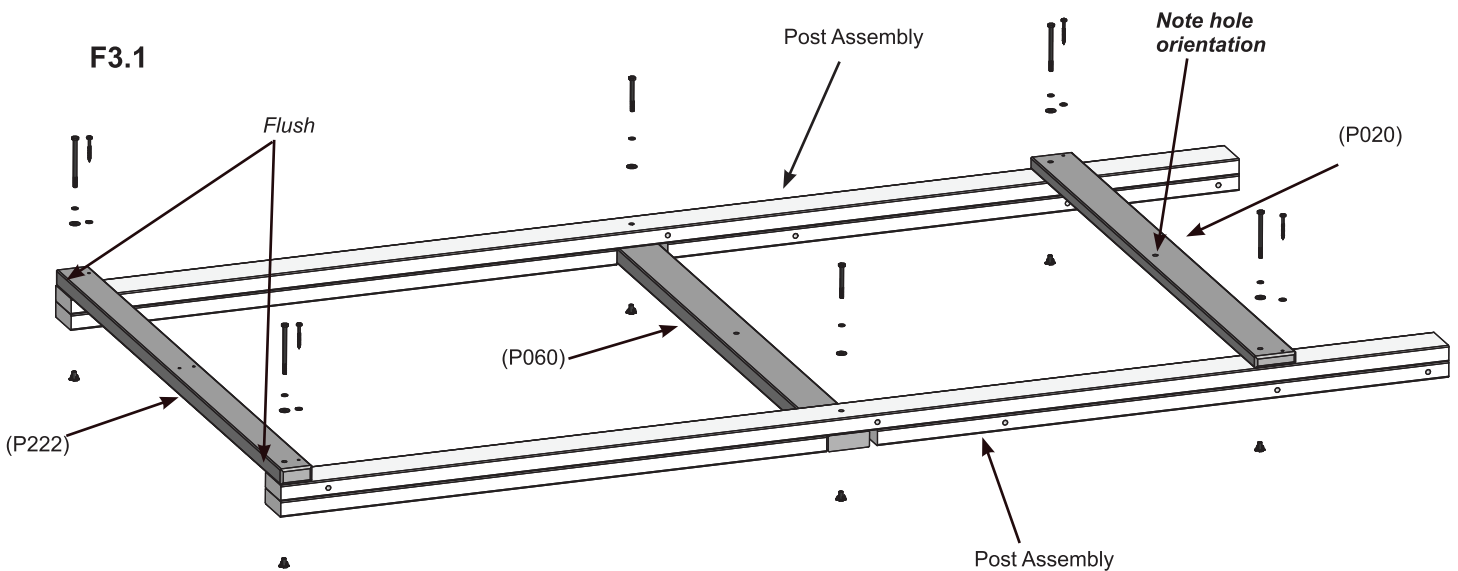
Part 1

A: Lay two Post Assemblies on a flat surface with the center openings facing down, taking note of hole orientation. Place (P222) across the bottom end so the bolts holes line up and sides and ends are flush. Attach loosely using two G21 (with LW2, FW12 and TN2). (F3.1 and F3.2)

B: Place (P060) under the assembly so it fits into the center openings and the bolts holes line up. Check that it's flush to the sides, then attach loosely using two H3 (with LW1, FW12 and TN1). (F3.1 and F3.2)

C: At the top end of the assembly place (P020) so it lines up with the bolt holes and is flush to the sides, making sure that the center hole is towards the bottom. Attach loosely using two H13 (with LW1, FW12 and TN1). (F3.1 and F3.2)

D: Check that the assembly is square then install four S7 (with FW0) in the locations shown and tighten all bolts. (F3.1 and F3.2)



Wood Parts

- 1 x (P020) Mid Front
- 1 x (P060) Front Floor Support
- 1 x (P222) Door Wall Sandbox Base

- 2 x H3 1/4 x 2-1/2" Hex Bolt
- 2 x G21 5/16 x 3-3/4" Hex Bolt
- 2 x H13 1/4 x 3-1/2" Hex Bolt
- 4 x S7 #12 x 2" Pan Screw

Hardware

- 4 x TN1 1/4" T-Nut
- 2 x TN2 5/16" T-Nut
- 4 x LW1 1/4" Lock Washer
- 2 x LW2 5/16" Lock Washer
- 6 x FW12 5/16" Large Washer
- 4 x FW0 3/16" Flat Washer
- 2 x LW2 5/16" Lock Washer

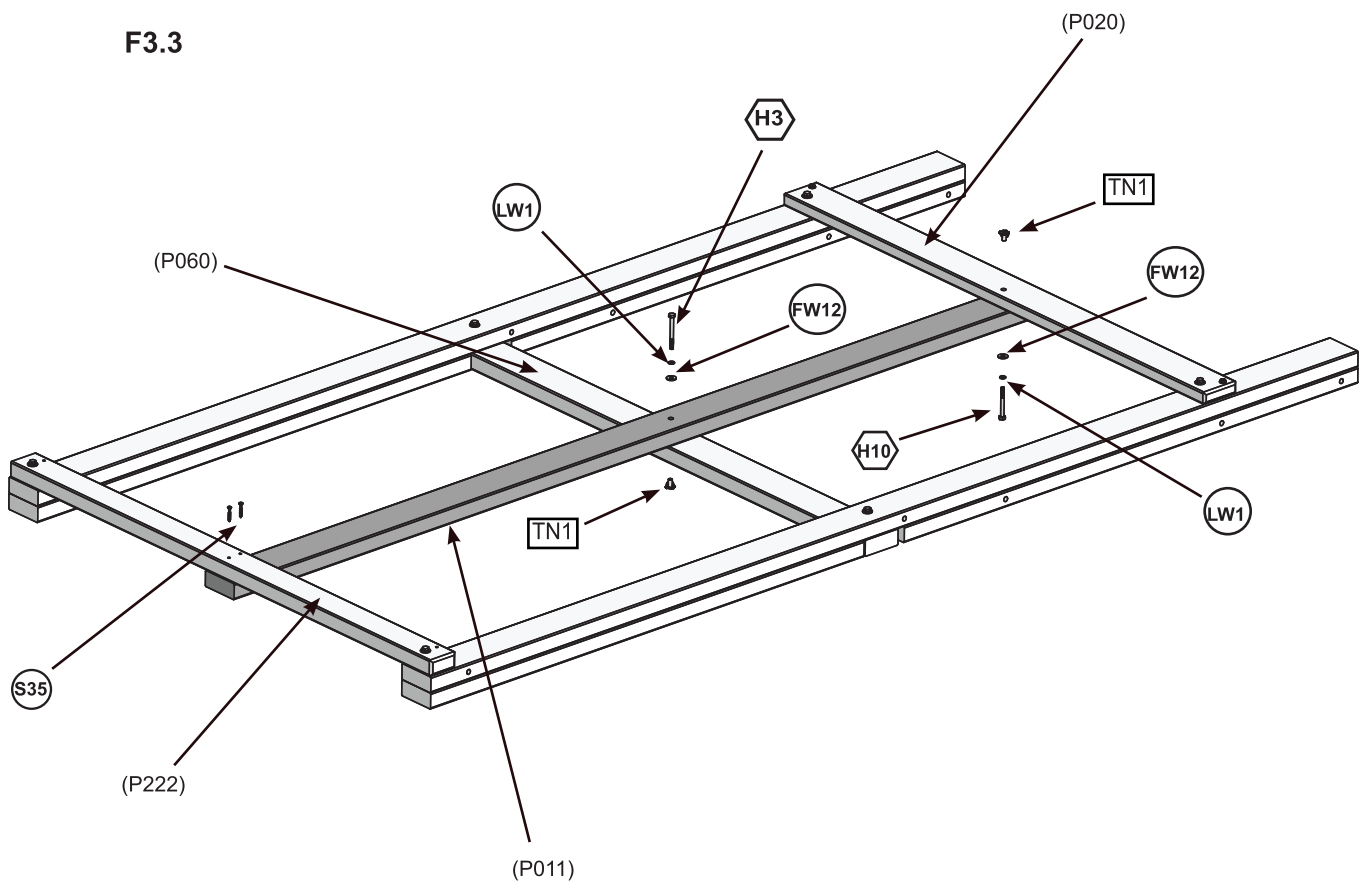
Step 3: Front Wall Assembly Part 2



E: Place (P011) up through the center of the assembly, making sure the spacing is even on both sides and that the bolt hole is at the top. Attach to (P020) using one H10 (with LW1, FW12 and TN1). (F3.3)

F: Attach (P011) to (P060) using one H3 (with LW1, FW12 and TN1). (F3.3)

G: Attach (P011) to (P222) using two S35. (F3.3)



Wood Parts

1 x (P011) Mid Post

Hardware

1 x H3 1/4 x 2-1/2" Hex Bolt

1 x H10 1/4 x 2-1/4" Hex Bolt

2 x S35 #8 x 2-1/4" Wood Screw

2 x TN1 1/4" T-Nut

2 x LW1 1/4" Lock Washer

2 x FW12 5/16" Large Washer

Step 4: Back Wall Assembly



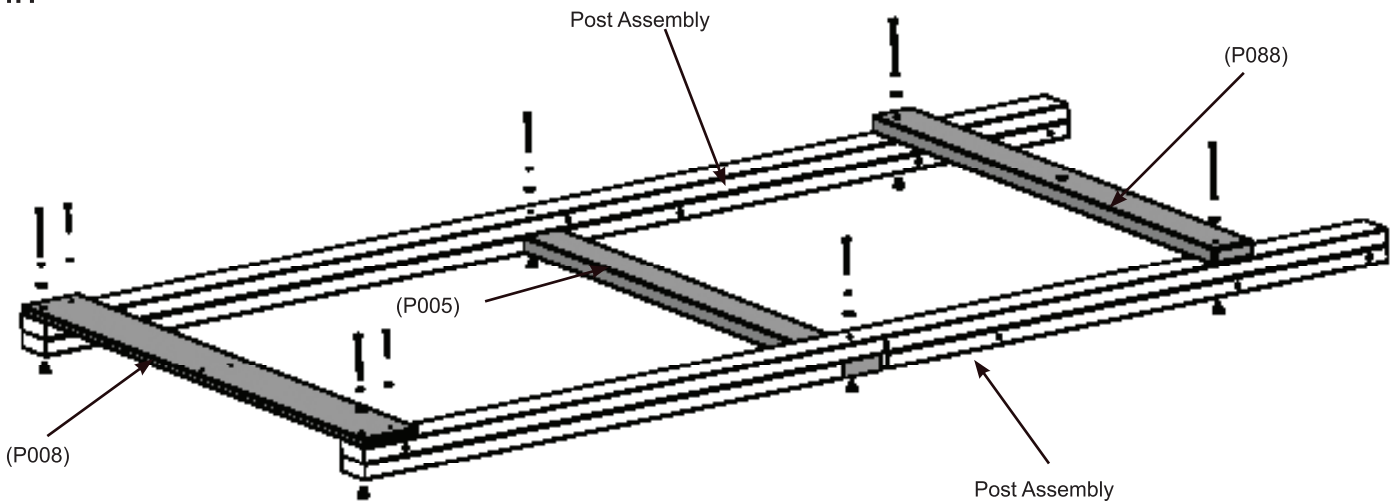
A: Lay two Post Assemblies on a flat surface with the center openings facing down, taking note of hole orientation. Place (P008) across the bottom end so the bolts holes line up and sides and ends are flush. Attach loosely using two G10 (with LW2, FW12 and TN2). (F4.1 and F4.2)

B: Place (P005) under the assembly so it fits into the center openings and the bolt holes line up. Check that it's flush to the sides, then attach loosely using two H3 (with LW1, FW12 and TN1). (F4.1 and F4.2)

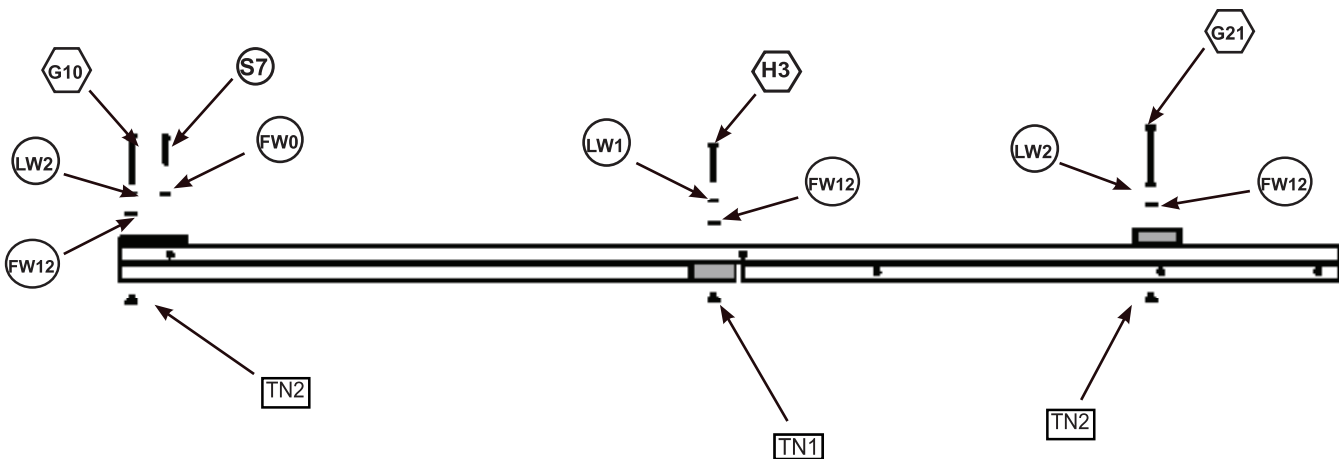
C: At the top end of the assembly place (P088) so it lines up with the bolt holes and is flush to the sides. Attach loosely using two G21 (with LW2, FW12 and TN2). (F4.1 and F4.2)

D: Check that the assembly is square then install two S7 (with FW0) in the locations shown and tighten all bolts. (F4.1 and F4.2)

F4.1



F4.2



Wood Parts

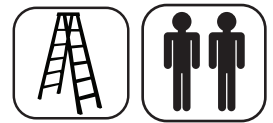
- 1 x (P008) Ground
- 1 x (P005) Back Floor Support
- 1 x (P088) Back Top

- 2 x H3 1/4 x 2-1/2" Hex Bolt
- 2 x G21 5/16 x 3-3/4" Hex Bolt
- 2 x G10 5/16 x 3" Hex Bolt
- 2 x S7 #12 x 2" Pan Screw

Hardware

- 2 x TN1 1/4" T-Nut
- 4 x TN2 5/16" T-Nut
- 2 x LW1 1/4" Lock Washer
- 6 x FW12 5/16" Large Washer
- 2 x FW0 3/16" Flat Washer
- 4 x LW2 5/16" Lock Washer

Step 5: Swing Wall Assembly



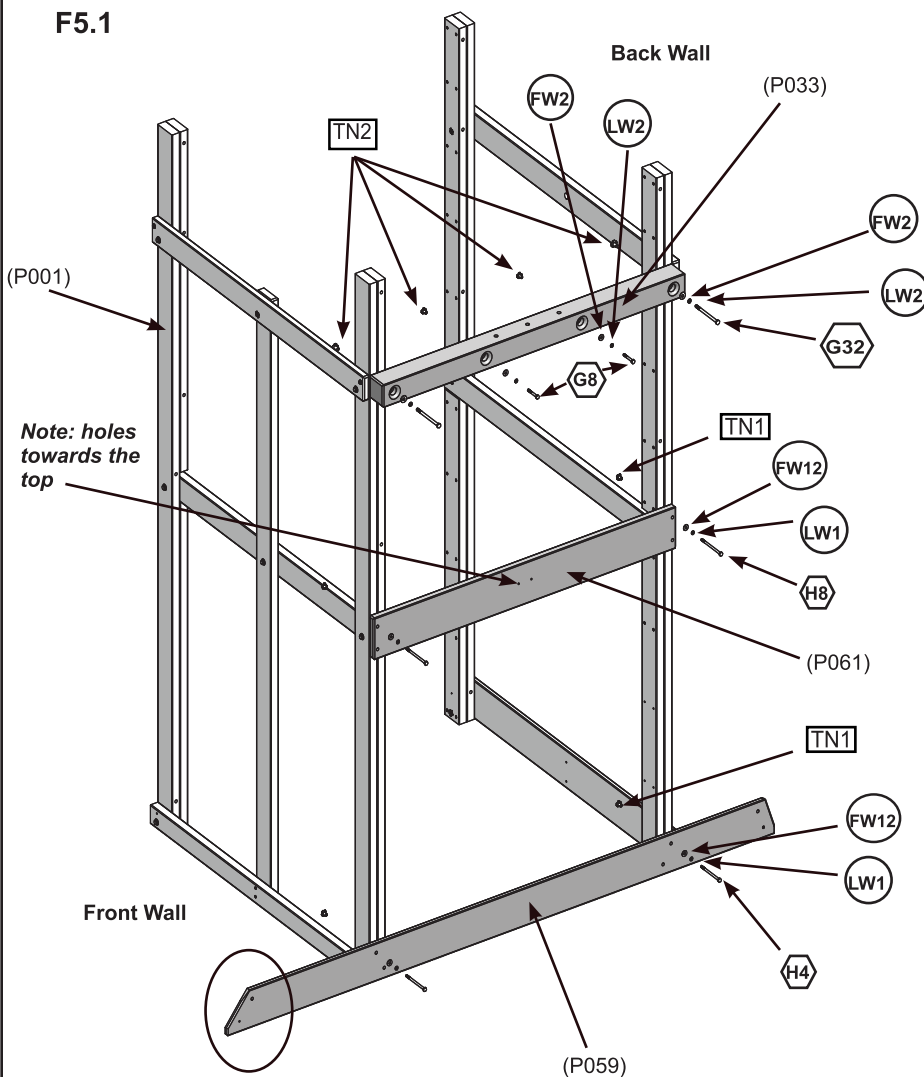
A: With at least one helper, stand the assemblies so the Front Wall Assembly is on the left and the Back Wall Assembly is on the right, making sure (P001)'s are facing the outside. Place (P059) along the bottom of the Wall Assemblies, the end with the sharper angle should be to the left. Align the center bolt holes with the posts and loosely attach with two H4 (with LW1, FW12 and TN1). (F5.1 and F5.4)

B: Place (P061) across the center of the assembly taking note of the hole orientation. Align the bolt holes then loosely attach using two H8 (with LW1, FW12 and TN1). (F5.1 and F5.3)

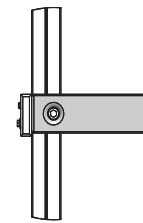
C: Place (P033) across the assembly as shown in F5.1, making sure the counter sunk holes are on the outside. Loosely attach through the outside holes using two G32 (with LW2, FW2 and TN2). (F5.1 and F5.2)

D: Install two G8 check bolts into the center holes in (P033) (with LW2, FW2 and TN2). (F5.1)

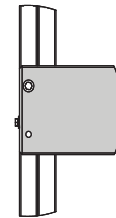
F5.1



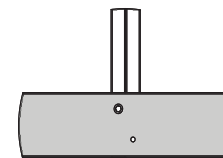
F5.2



F5.3



F5.4



Wood Parts

- 1 x (P059) SW Ground
- 1 x (P061) Floor End
- 1 x (P033) SW Mount

- 2 x 5/16 x 5-1/4" Hex Bolt
- 2 x 5/16 x 2" Hex Bolt
- 2 x 1/4 x 4" Hex Bolt
- 2 x 1/4 x 4-1/4" Hex Bolt

Hardware

- 4 x 1/4" T-Nut
- 4 x 5/16" T-Nut
- 4 x 1/4" Lock Washer
- 4 x 5/16" Large Washer
- 4 x 5/16" Flat Washer
- 4 x 5/16" Lock Washer

Step 6: Side Wall Assembly



Note: Pre-drill all pilot holes using a 1/8" drill bit before installing Lag Screws.

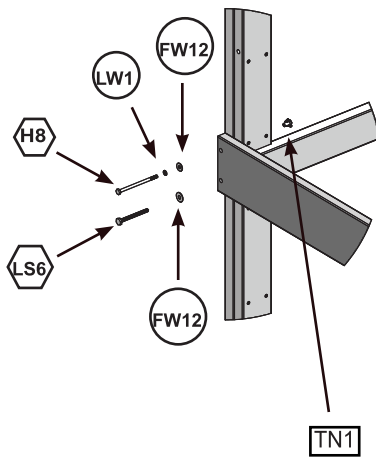
A: Place (P009) along the bottom of the Side Wall and attach through the top holes with two H4 (with LW1, FW12 and TN1). (F6.2 and F6.3)

B: Place (P061) across the center of the assembly taking note of hole orientation. Align the bolt holes then loosely attach using two H8 (with LW1, FW12 and TN1). (F6.1 and F6.2)

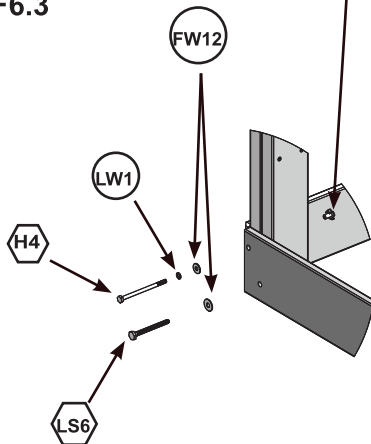
C: Check that the unit is square, then pre-drill and install two LS6 (with FW12) into both (P009) and (P061). (F6.1, F6.2 and F6.3)

D: Tighten all Bolts.

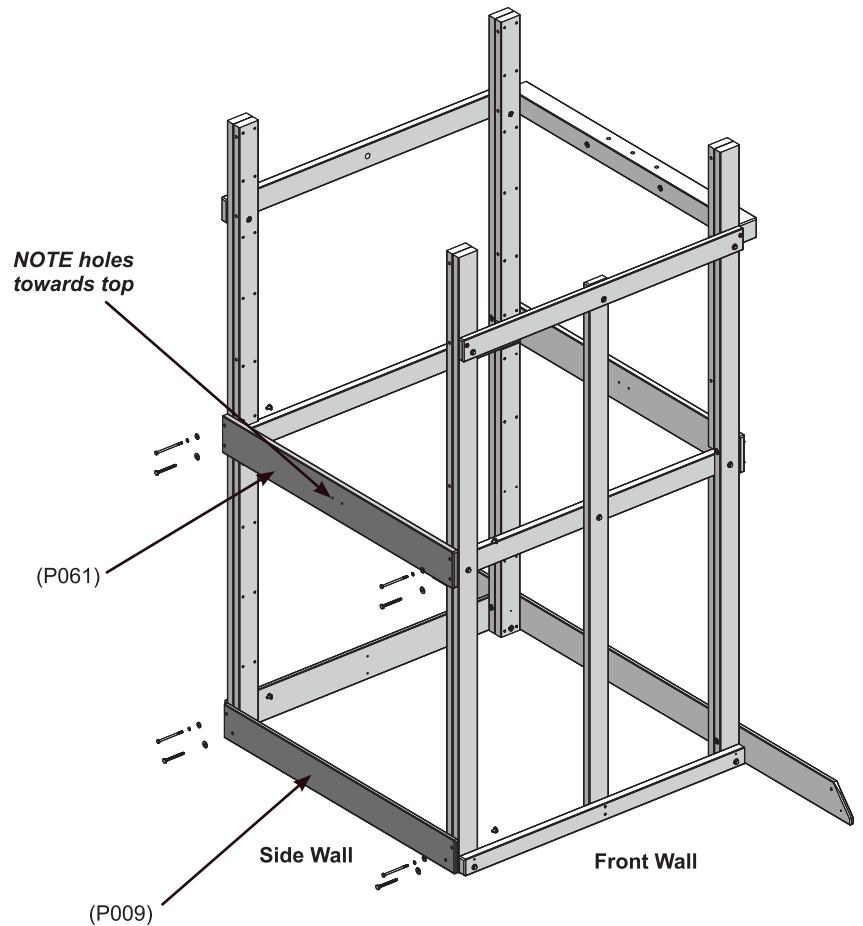
F6.1



F6.3



F6.2



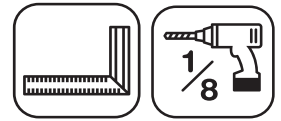
Wood Parts

- 1 x (P009) Side Ground
- 1 x (P061) Floor End

Hardware

- | | |
|--------------------------------|-------------------------------|
| 2 x (H8) 1/4 x 4-1/4" Hex Bolt | 8 x (FW12) 5/16" Large Washer |
| 2 x (H4) 1/4 x 4" Hex Bolt | 4 x (TN1) 1/4" T-Nut |
| 4 x (LS6) 5/16 x 3" Lag Screw | 4 x (LW1) 1/4" Lock Washer |

Step 7: Install Gussets

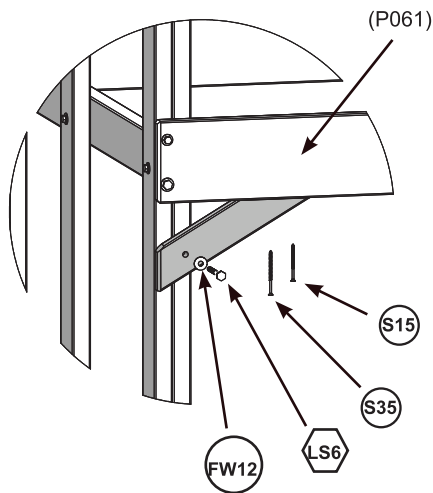


Note: Pre-drill all pilot holes using a 1/8" drill bit before installing Lag Screws.

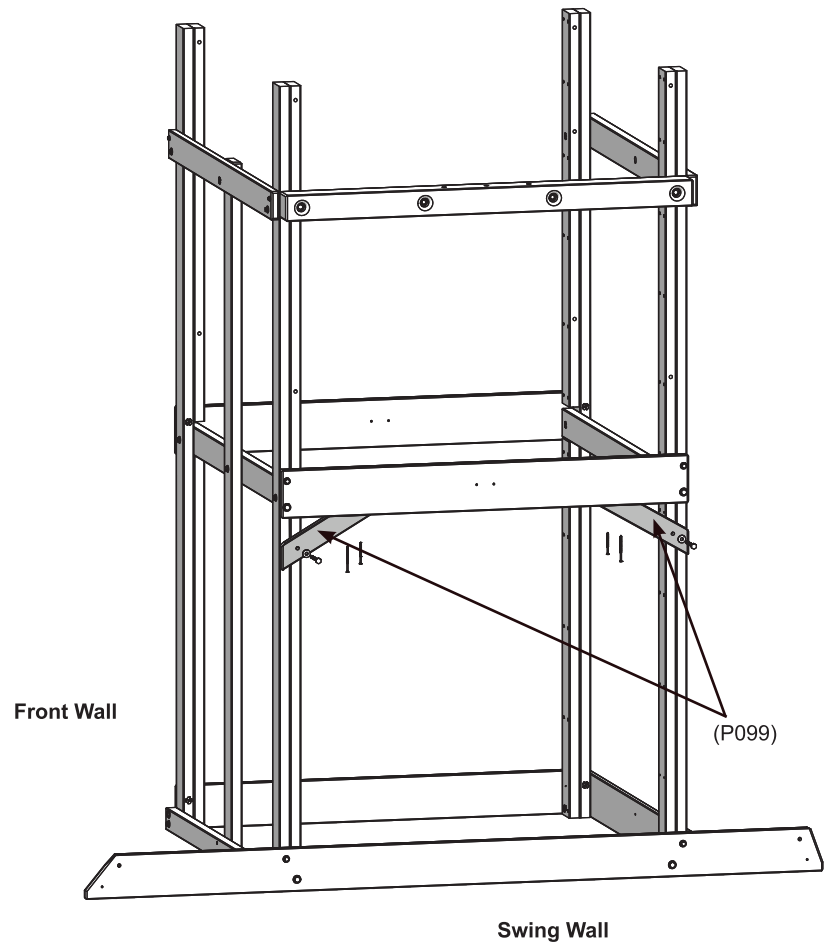
A: On each side of the Swing Wall, position one (P099) as shown in F7.1, making sure that it's flush with the edge of the posts. Attach each (P099) to (P061) with one S15 and one S35 per Gusset. (F7.1 and F7.2)

B: Install one LS6 (with FW12) per (P099). (F7.1 and F7.2)

F7.1



F7.2



Wood Parts

2 x (P099) Gusset

Hardware

2 x (FW12) 5/16" Large Washer

2 x (S15) #8 x 1-3/4" Wood Screw

2 x (S35) #8 x 2-1/4" Wood Screw

2 x (LS6) 5/16 x 3" Lag Screw

Step 8: Floor Assembly

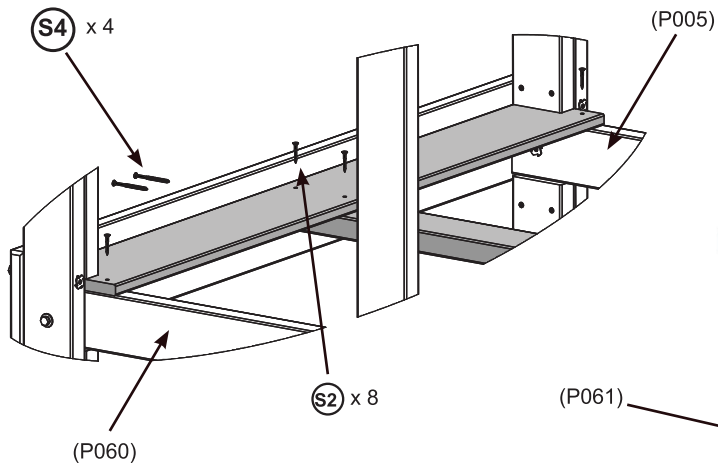
Part 1

A: On the Side Wall, slide one (P007) into the gaps, making sure that it's tight to (P061). Attach each end of the (P007) to (P060) and (P005) using one S2 per side. Repeat to install a second (P007) on the Swing Wall side. (F8.1 and F8.2)

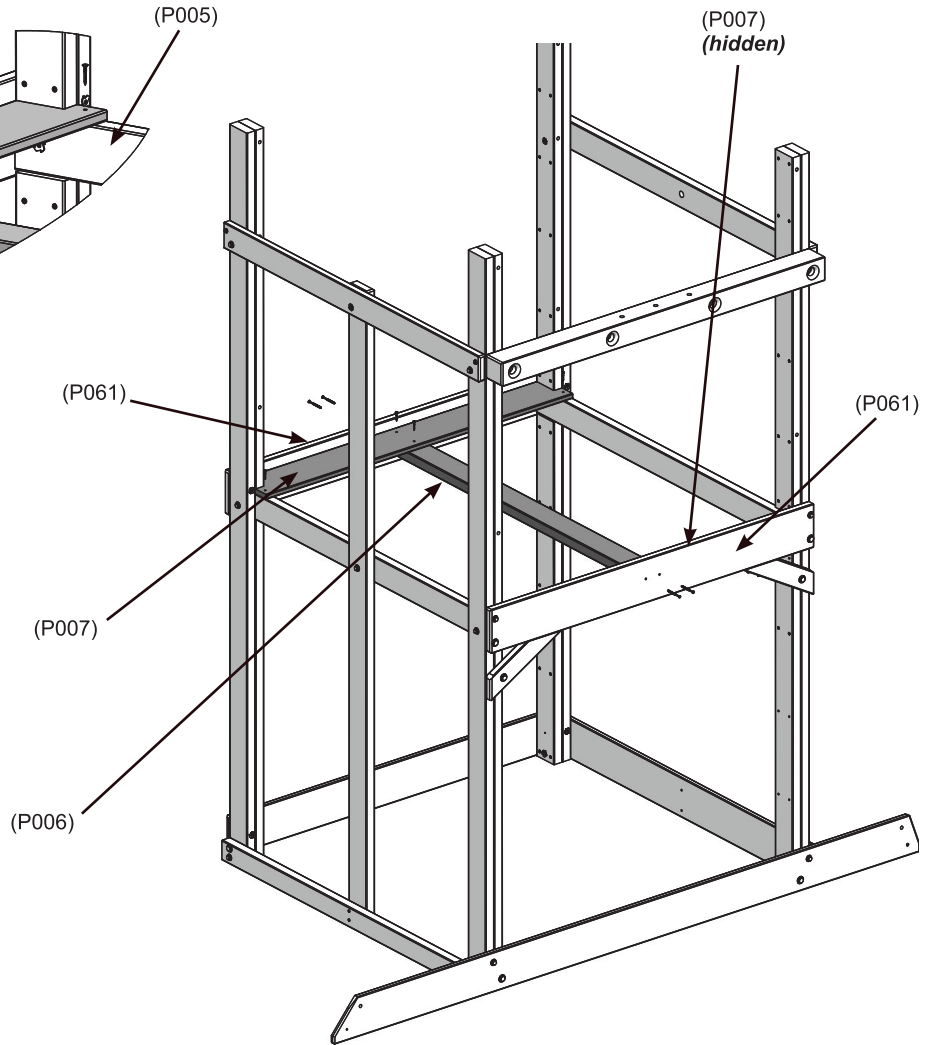
B: From inside the assembly, center (P006) over the pilot holes in the (P061)'s and tight to the (P007)'s. Attach from the outside using two S4 per side. (F8.1 and F8.2)

C: Attach (P007)'s to (P006) using two S2 per board. (F8.1 and F8.2)

F8.1



F8.2



Wood Parts

- 1 x (P006) Floor Joist
- 2 x (P007) Floor Board

Hardware

- 8 x S2 #8 x 1-1/2" Wood Screw
- 4 x S4 #8 x 3" Wood Screw

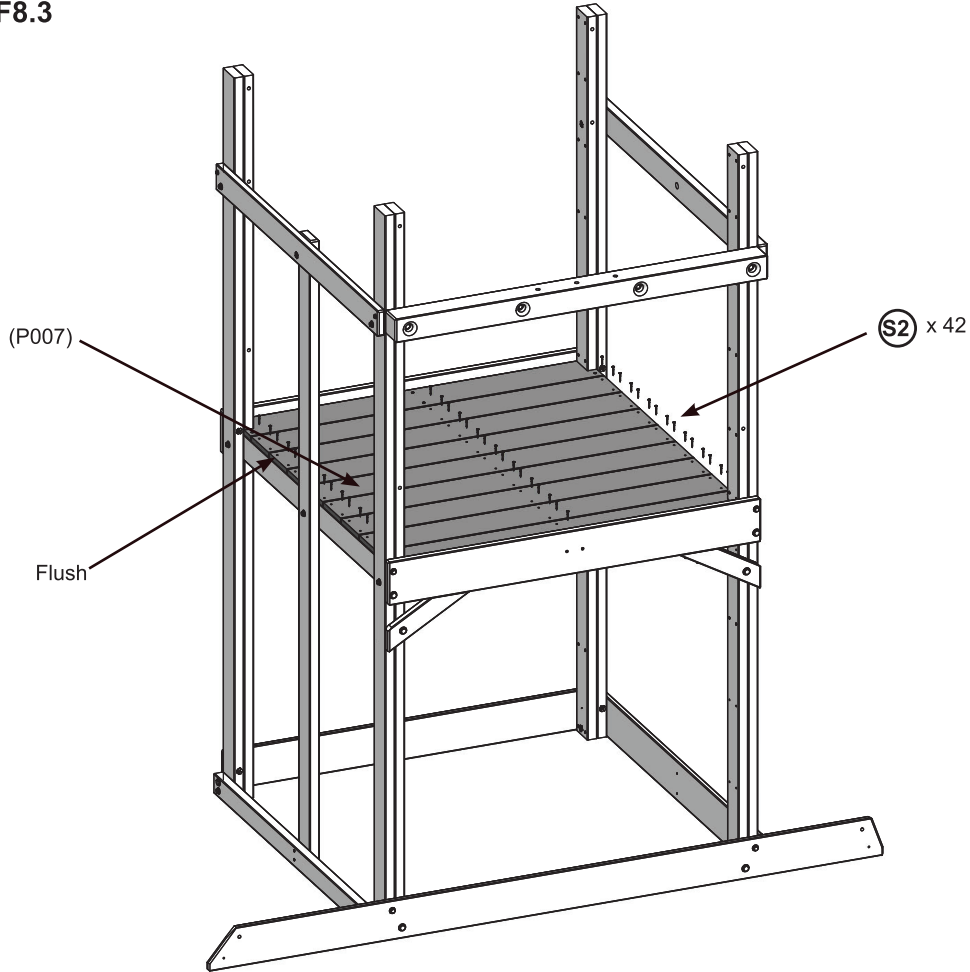
Step 8: Floor Assembly

Part 2



D: Evenly space the remaining (P007)'s and attach using six S2 per board. (F8.3)


F8.3



Wood Parts

7 x (P007) Floor Board

Hardware

42 x  #8 x 1-1/2" Wood Screw

Step 9: Install Lower Front Wall

A: From outside the Front Wall Assembly, place one (P220) on the (P222) so that it's flush with the left edge of (P011), then attach using three S2. Place a second (P220) on (P222) so that it's flush to the right outside edge of the Front Post Assembly. Attach using three S2. (F9.1 and 9.2)

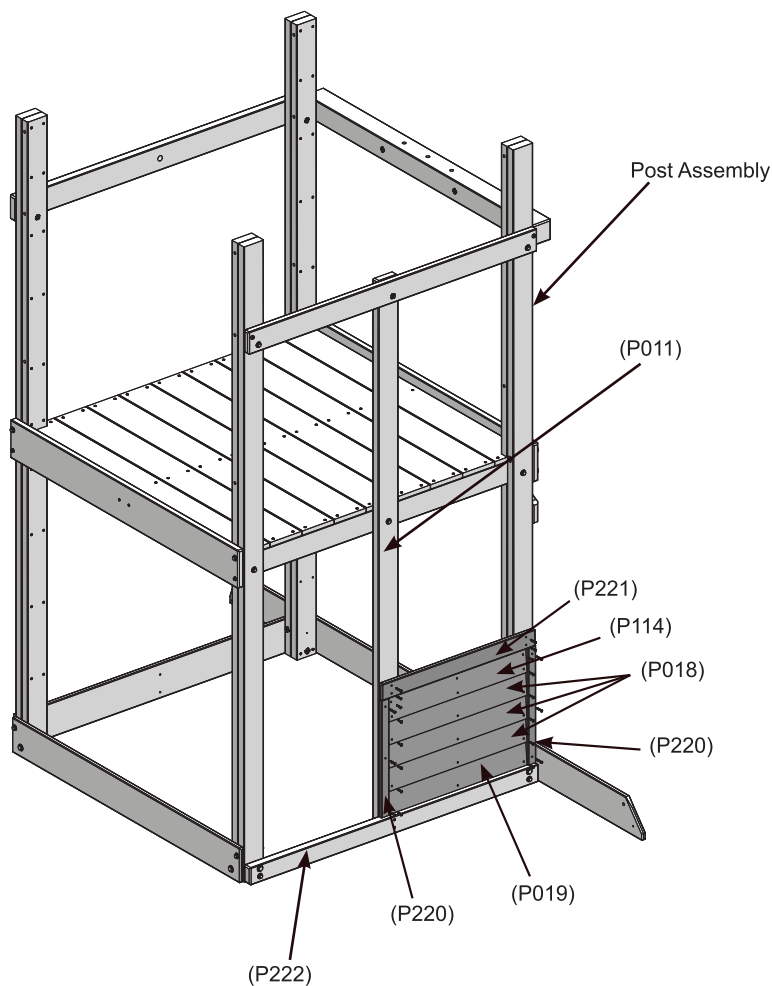
B: Place a (P221) across the top of both (P220)'s so the ends are flush. Attach using four S2. (F9.1 and F9.2)

C: Place (P019) along the top of (P222) between (P220)'s, taking note of hole orientation. Attach with two S0. (F9.1 and F9.2)

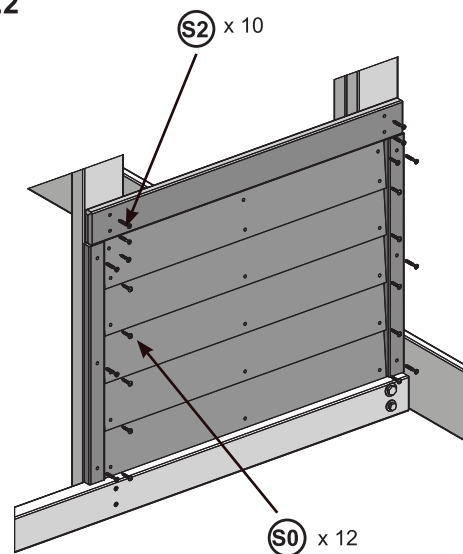
D: Fit (P114) between the (P220)'s, making sure it's tight to (P221). Attach using four S0. (F9.1 and F9.2)

E: Place three (P018) into the open space, so the notches fit tight together. Attach with two S0 per board. (F9.1 and F9.2)

F9.1



F9.2



Wood Parts

- 1 x (P221) Door Wall Top
- 2 x (P220) Door Wall Trim
- 1 x (P019) Siding Bottom
- 3 x (P018) Siding
- 1 x (P114) Siding Top

Hardware

- 10 x (S2) #8 x 1-1/2" Wood Screw
- 12 x (S0) #8 x 7/8" Truss Screw

Step 10: Attach Lower Swing Wall

Part 1



Note: Pre-drill all pilot holes using a 1/8" drill bit before installing Lag Screws.

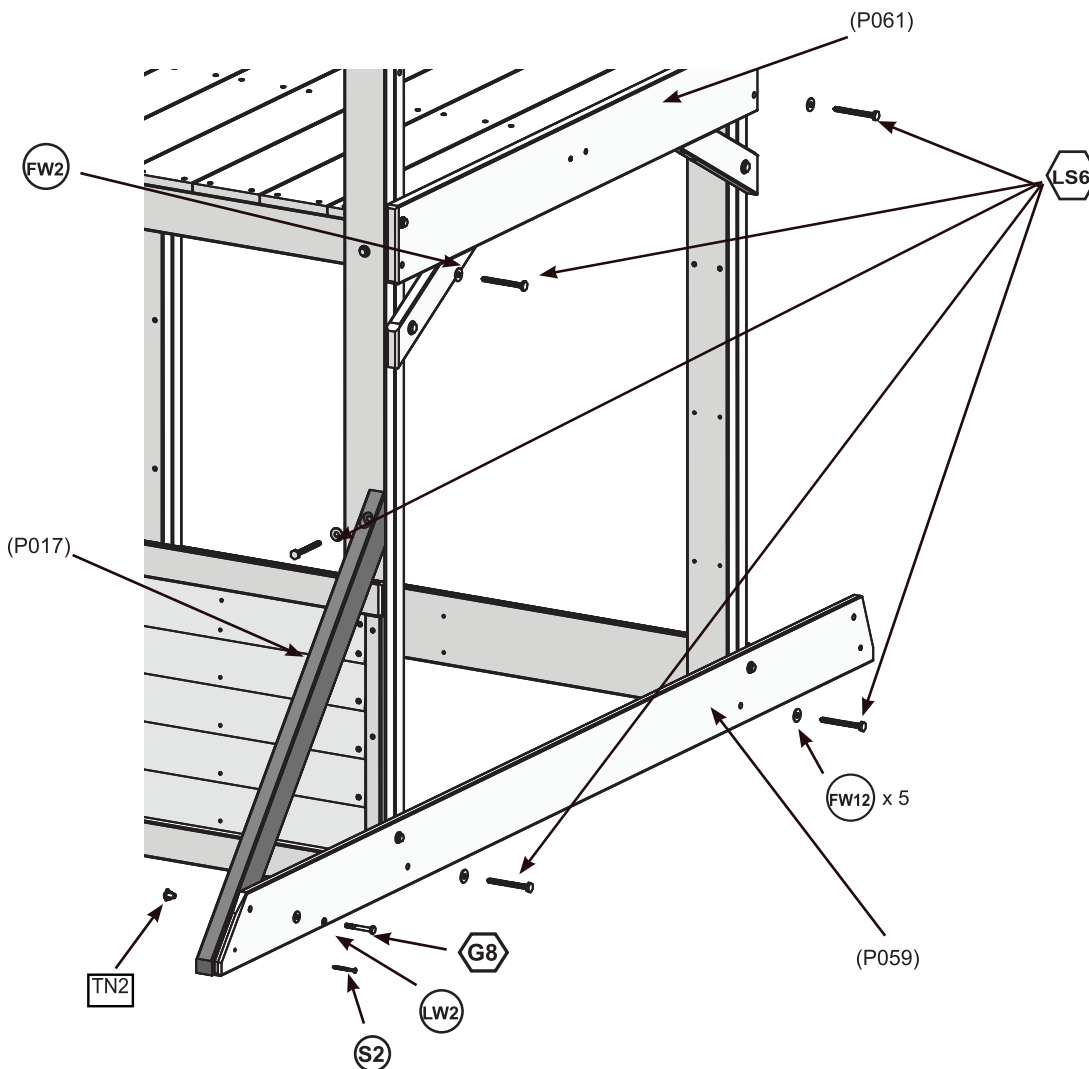
A: At the left end of the (P059), position (P017) in behind with the countersunk hole at the top. Attach to (P059) with one G8 (with LW2, FW12 and TN2). (F10.1)

B: Pre-drill, then install two LS6 (with FW12) into the bottom holes of (P059) and (P061). (F10.1 and F10.2)

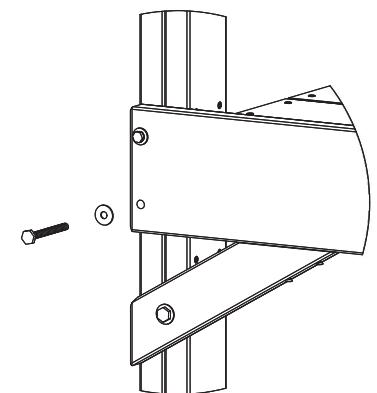
C: Install one S2 into (P059). (F10.1)

D: Check to make sure (P017) is tight to the Front Wall Assembly and flush to the outside edge, then pre-drill and install one LS6 (with FW2). (F10.1)

F10.1



F10.2



Wood Parts

1 x (P017) Diagonal

Hardware

5 x LS6	5/16 x 3" Lag Screw	5 x FW12	5/16" Large Washer
1 x G8	5/16 x 2" Hex Bolt	1 x FW2	5/16" Flat Washer
1 x S2	#8 x 1-1/2" Wood Screw	1 x LW2	5/16" Lock Washer
1 x TN2	5/16" T-Nut		

Step 10: Attach Lower Swing Wall Part 2

E: From outside the Swing Wall Assembly, position two (P014)'s on (P059) so they're flush to the outside edges of each Post. Attach to the Post Assemblies using three S2 per side. (F10.3 and F10.4)

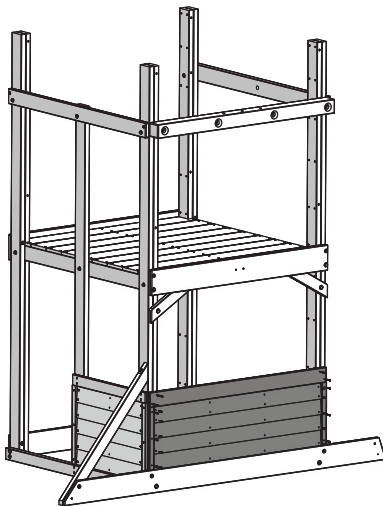
F: Place a (P028) across the top of both (P014)'s so the ends are flush. Attach using four S2. (F10.3 and F10.4)

G: Place (P027) along the top of (P059) between the (P014)'s, taking note of hole orientation. Attach with two S0. (F10.3 and F10.4)

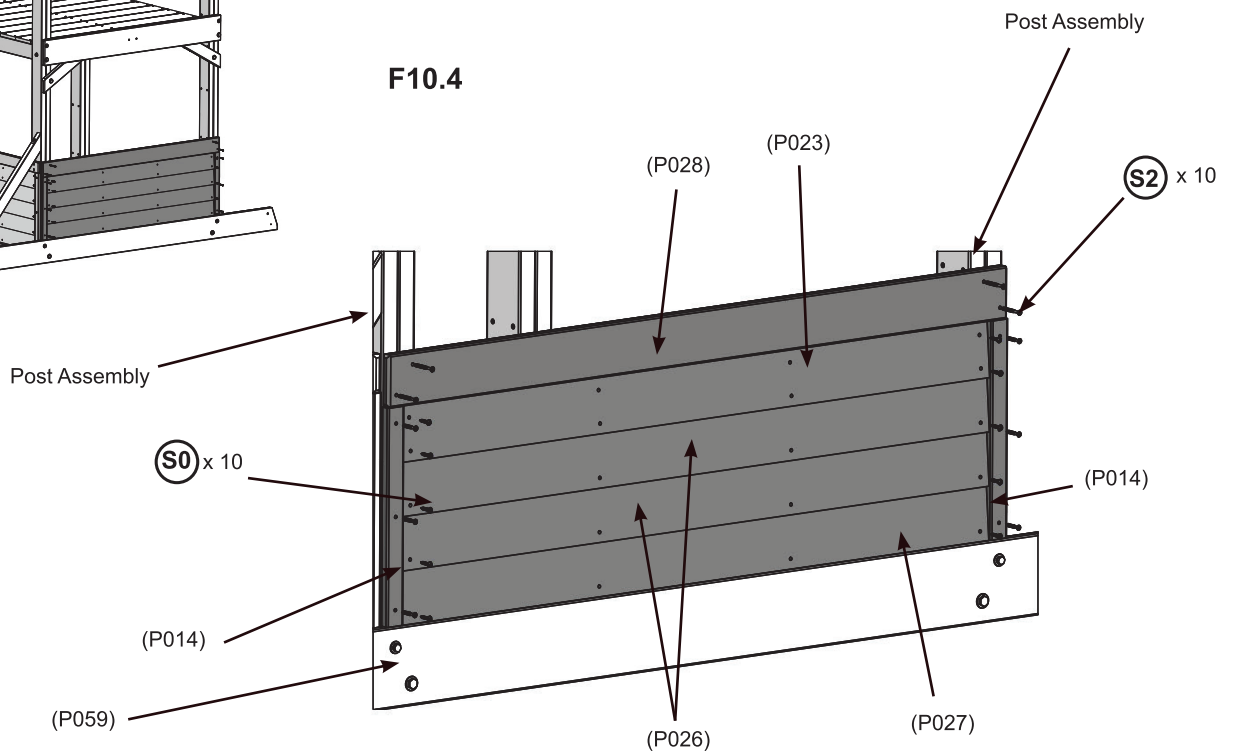
H: Fit (P023) between (P014)'s, making sure it's tight to (P028). Attach using four S0. (F10.3 and F10.4)

I: Place two (P026)'s into the open space, so the notches fit tight together. Attach with two S0 per board. (F10.3 and F10.4)

F10.3



F10.4



Wood Parts

- | | |
|--------------------------|------------------------|
| 1 x (P023) Top Siding | 1 x (P028) SW Mid Wall |
| 2 x (P026) Siding | 2 x (P014) Trim |
| 1 x (P027) Bottom Siding | |

Hardware

- | |
|----------------------------------|
| 10 x (S2) #8 x 1-1/2" Wood Screw |
| 10 x (S0) #8 x 7/8" Truss Screw |

Step 11: Back Wall Bottom

A: From outside of the Back Wall Assembly, place two (P014)'s on (P008) so they're flush to the outside edges of each Post. Attach to the Post Assemblies using three S2 per side. (F11.1 and F11.2)

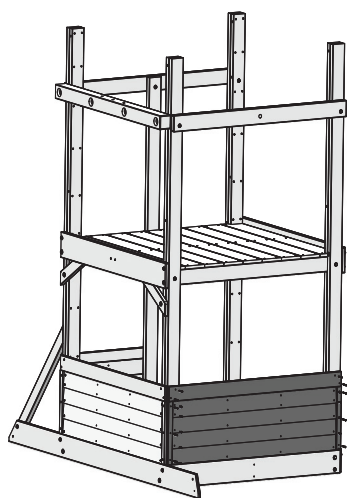
B: Place a (P028) across the top of both (P014)'s so the ends are flush. Attach using four S2. (F11.1 and F11.2)

C: Place (P027) along the top of (P008) between the (P014)'s, taking note of hole orientation. Attach with two S0. (F11.1 and F11.2)

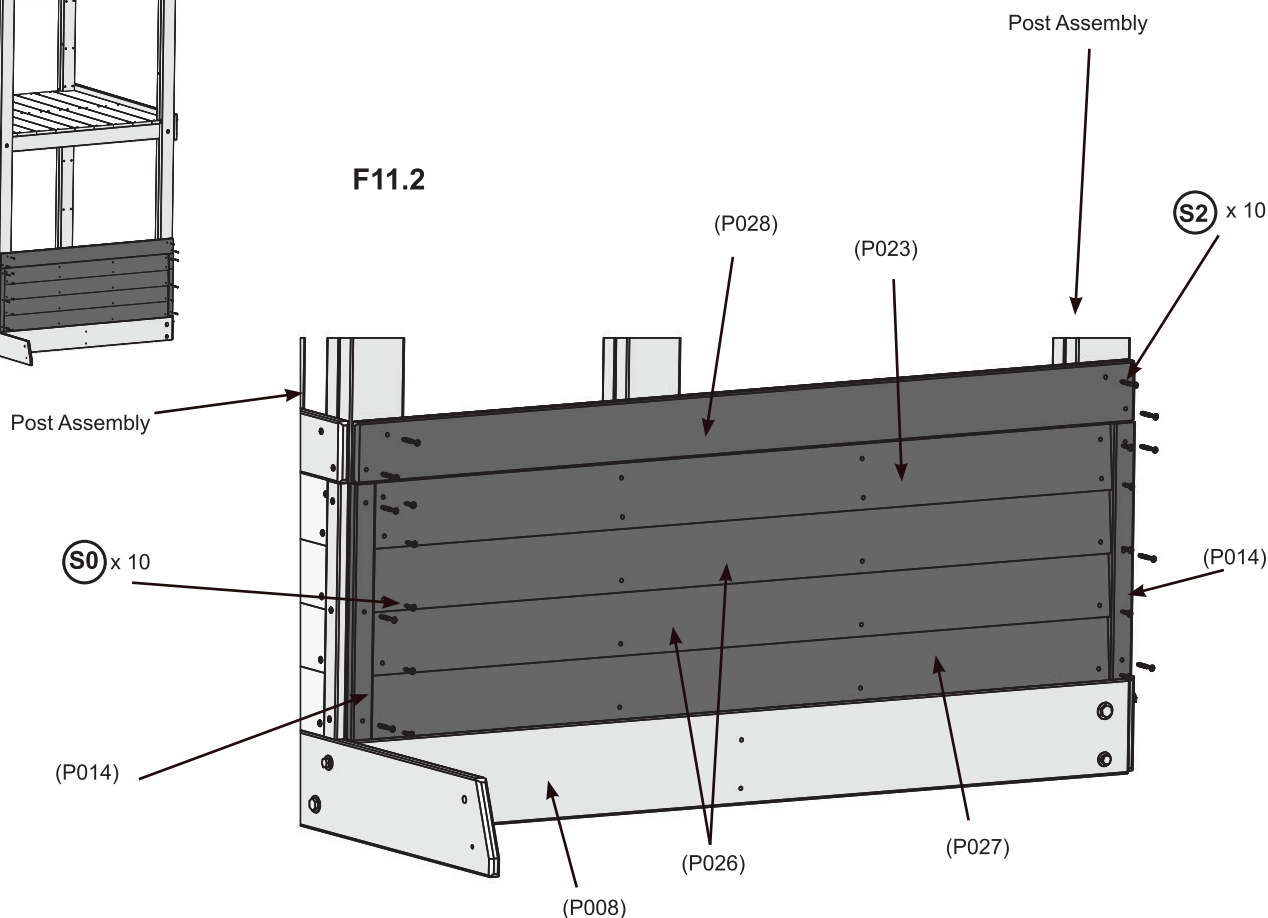
D: Fit (P023) between the (P014)'s, making sure it's tight to (P028). Attach using four S0. (F11.1 and F11.2)

E: Place two (P026)'s into the open space, so the notches fit tight together. Attach with two S0 per board. (F11.1 and F11.2)

F11.1



F11.2



Wood Parts

- | | |
|--------------------------|------------------------|
| 1 x (P023) Top Siding | 1 x (P028) SW Mid Wall |
| 2 x (P026) Siding | 2 x (P014) Trim |
| 1 x (P027) Bottom Siding | |

Hardware

- | |
|----------------------------------|
| 10 x (S2) #8 x 1-1/2" Wood Screw |
| 10 x (S0) #8 x 7/8" Truss Screw |

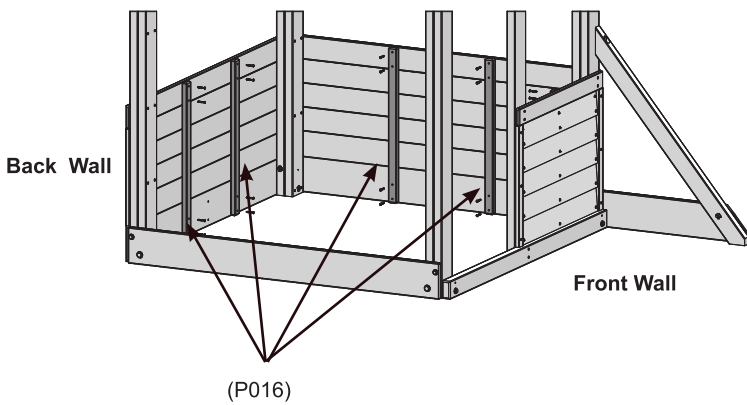
Step 12: Attach Uprights

A: From inside the assembly, center four (P016)'s over the pilot holes in the Back Wall and Swing Wall. Attach using four S1 per (P016). (F12.1)

B: From inside the assembly, center one (P207) over the pilot holes in the Front Wall. Attach using four S1. (F12.2)

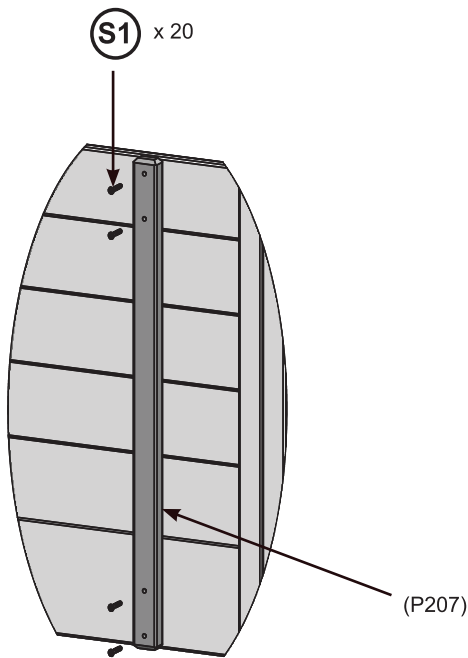
C: From outside the assembly attach Siding to Uprights using 26 S0. (F12.3)

F12.1



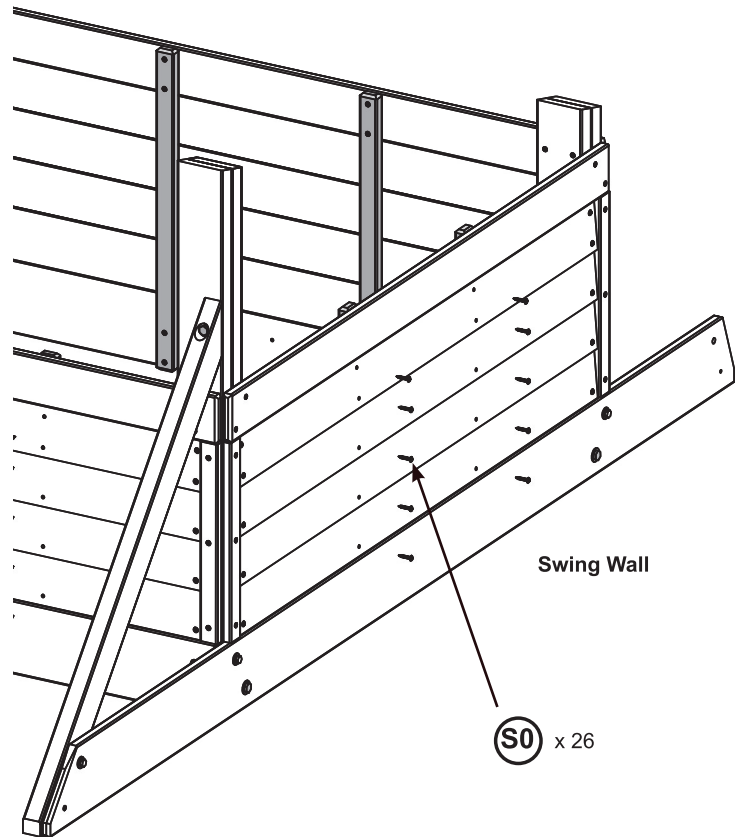
Inside View

F12.2



F12.3

Outside View



Wood Parts

- 4 x (P016) Upright
- 1 x (P207) Door Wall Upright

Hardware

- 20 x (S1) #8 x 1-1/8" Wood Screw
- 26 x (S0) #8 x 7/8" Truss Screw

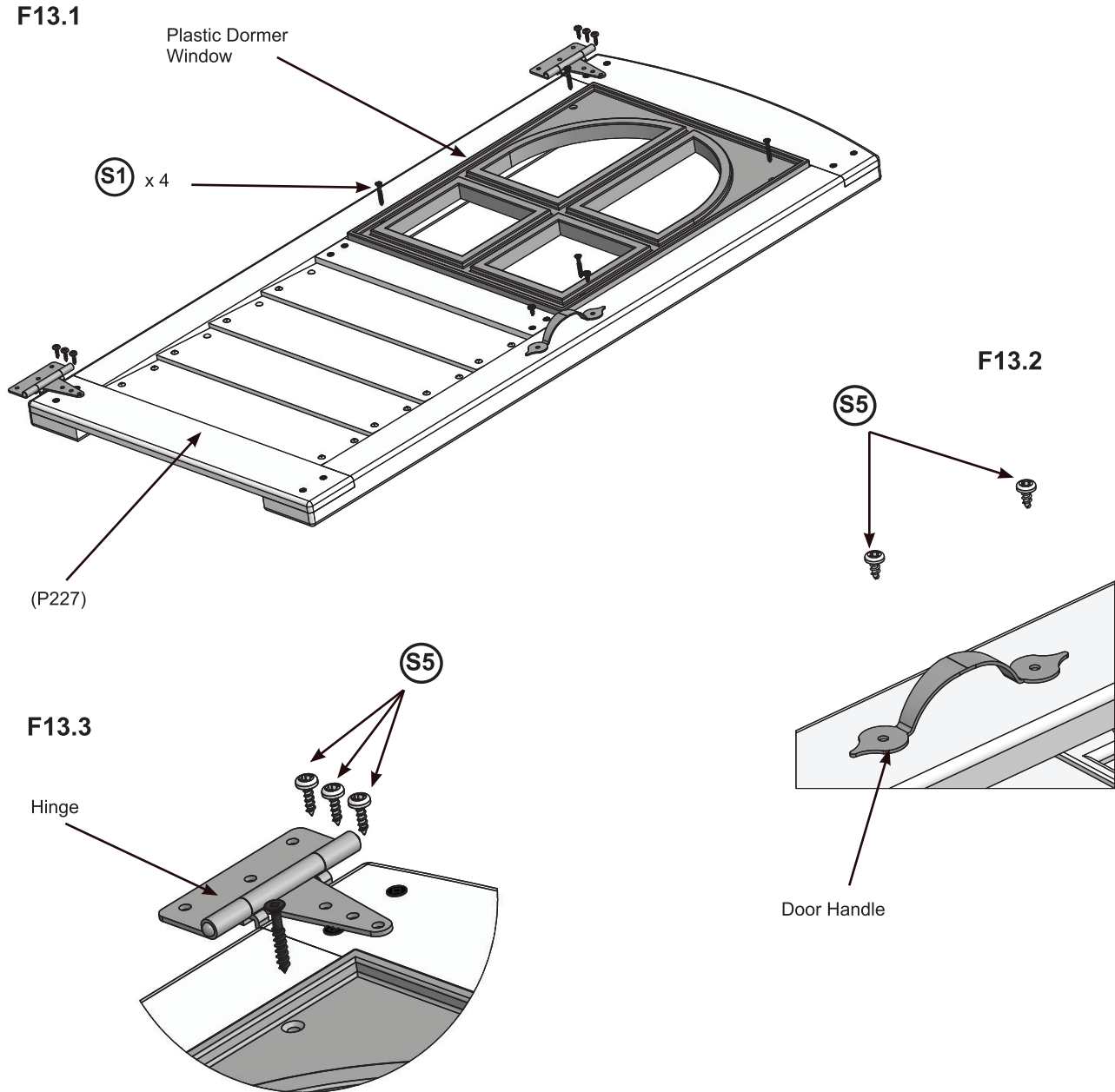
Step 13: Door Assembly

Part 1

A: On the outside of (P227), insert Plastic Dormer Window as shown in F13.1 and attach using four S1.

B: On the outside of (P227) attach one Door Handle approximately half way up the door using two S5. (F13.1 and F13.2)

C: On the outside of (P227), at the opposite side from the Door Handle, install two Hinges to the top and bottom of the Door using three S5. (F13.1 and F13.3)



Wood Parts

1 x (P227) Door

Components

1 x Door Handle
 2 x Hinge
 1 x Plastic Dormer Window

Hardware

4 x (S1) #8 x 1-1/8" Wood Screw
 8 x (S5) #8 x 1/2" Pan Screw

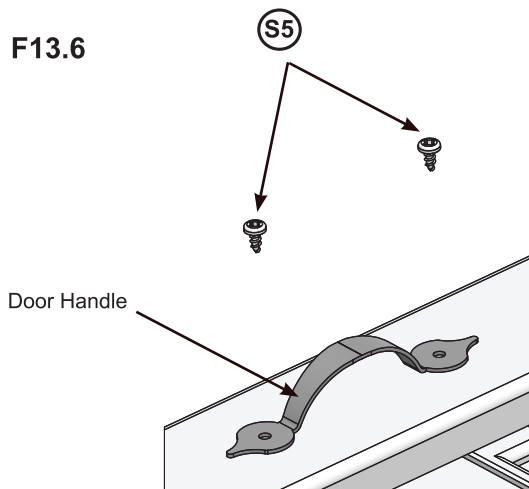
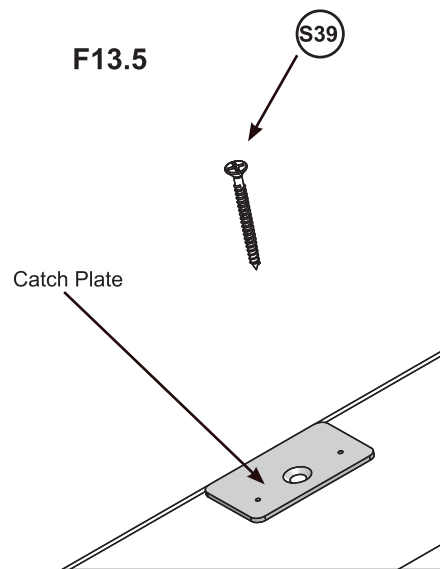
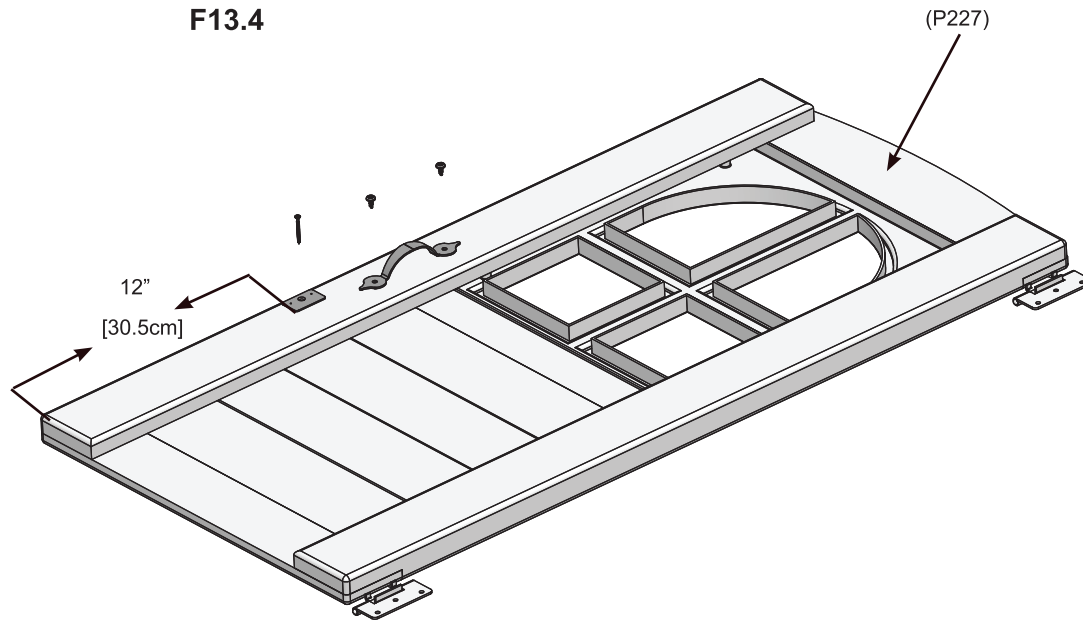
Step 13: Door Assembly



Part 2

D: On the inside of (P227), measure 12" [30.5cm] up from the bottom and install the Catch Plate flush to the outside edge of the Door using one S39. (F13.4 and F13.5)

E: On the inside of the (P227) attach one Door Handle at approximately the same height as the handle that was previously installed using two S5. (F13.4 and F13.6)



Components

- 1 x Door Handle
- 1 x Catch Plate

Hardware

- 1 x (S39) #7 x 3/4" Wood Screw
- 2 x (S5) #8 x 1/2" Pan Screw

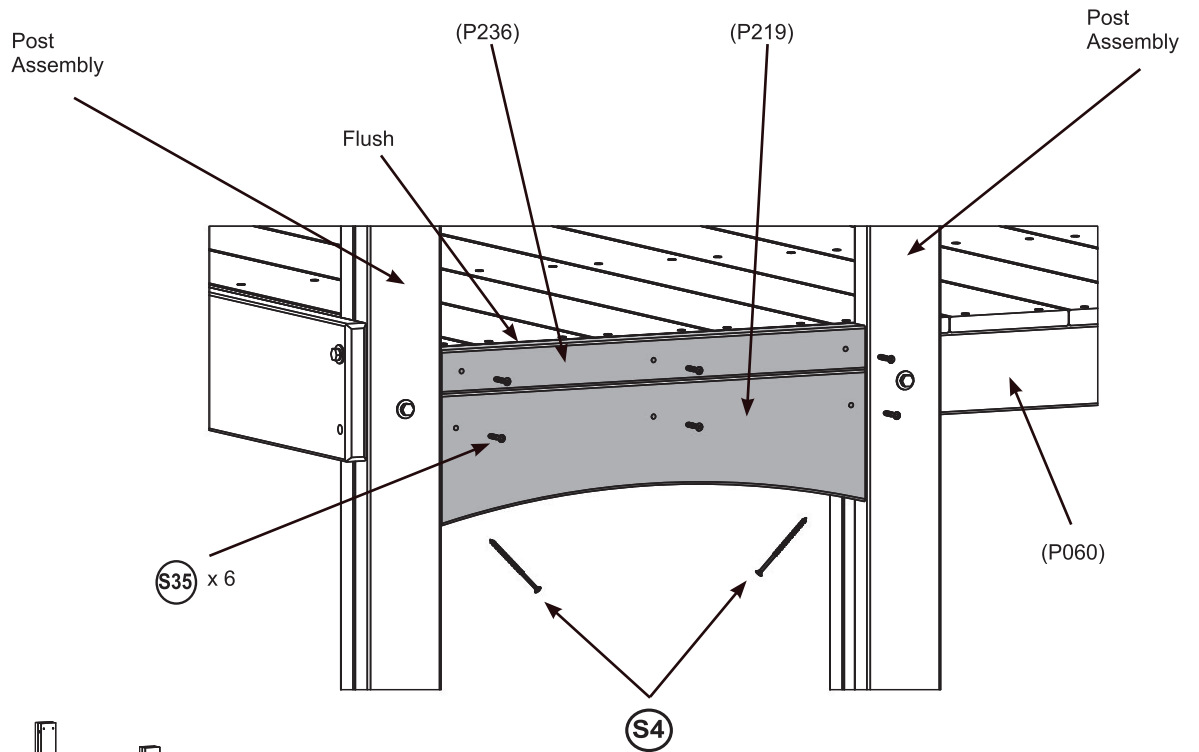
Step 14: Install Door

Part 1

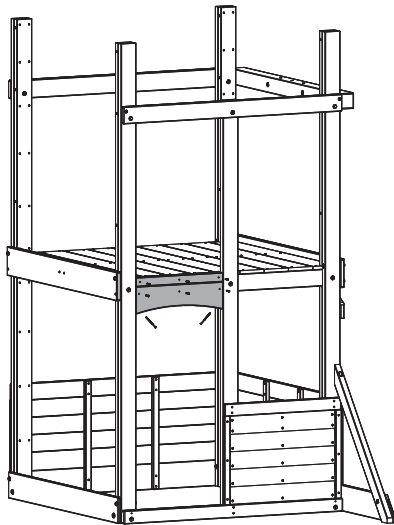
A: Above the door opening on the Front Wall, attach (P236) to (P060) so it's flush to the top of the floor boards using three S35. (F14.1 and F14.2)

B: Place (P219) under (P236), then attach to (P060) and to the Post Assemblies using three S35 and two S4. The S4 will be installed on an angle. (F14.1 and F14.2)

F14.1



F14.2



Wood Parts

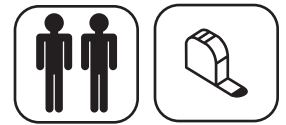
- 1 x (P219) Door Top Arch
- 1 x (P236) Door Top Filler

Hardware

- 6 x S35 #8 x 2-1/4" Wood Screw
- 2 x S4 #8 x 3" Wood Screw

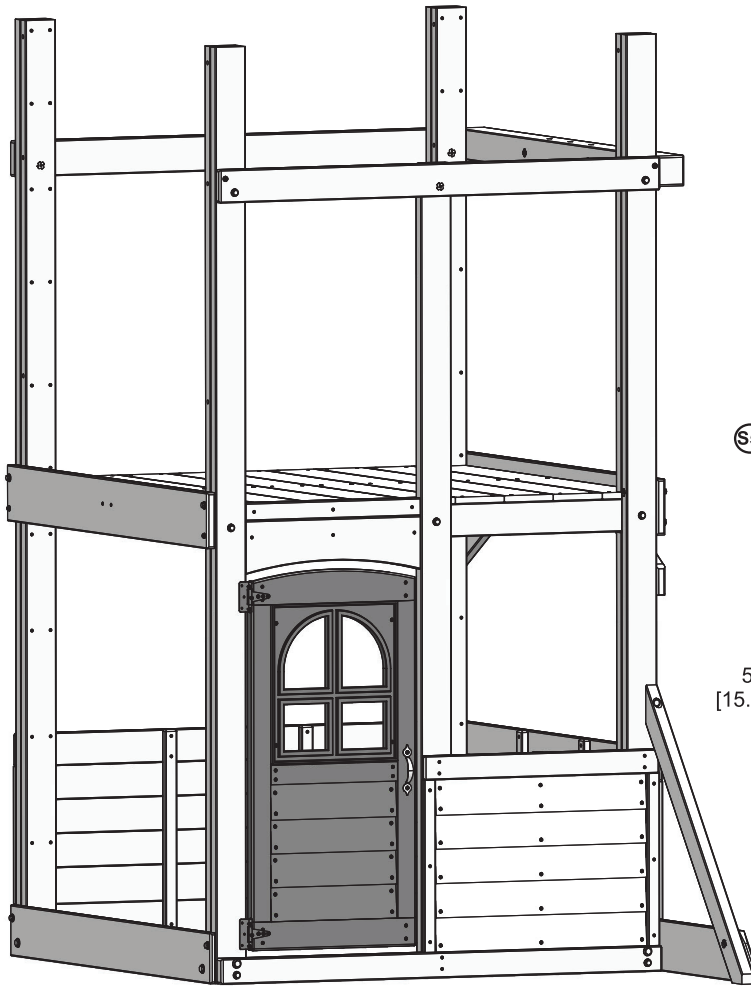
Step 14: Install Door

Part 2

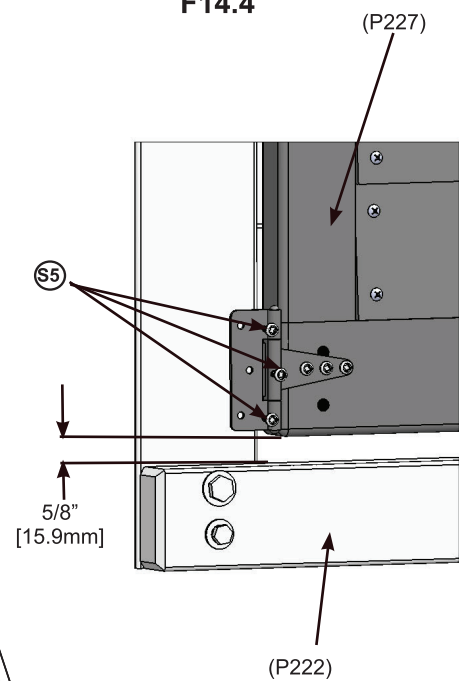


C: In the opening for the Door Assembly, measure 5/8" [15.9mm] up from the top of (P222). With a helper, position the Door Assembly and attach Hinges to Post Assembly using three S5 per Hinge. (F14.3 and F14.4)


F14.3



F14.4



Hardware

6 x  #8 x 1/2" Pan Screw

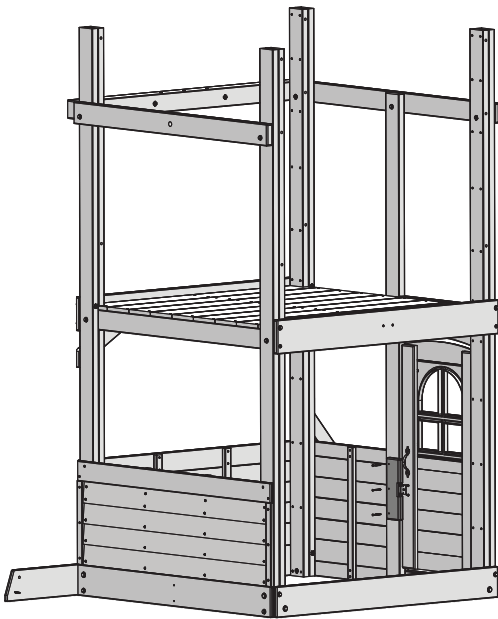
Step 14: Install Door

Part 3

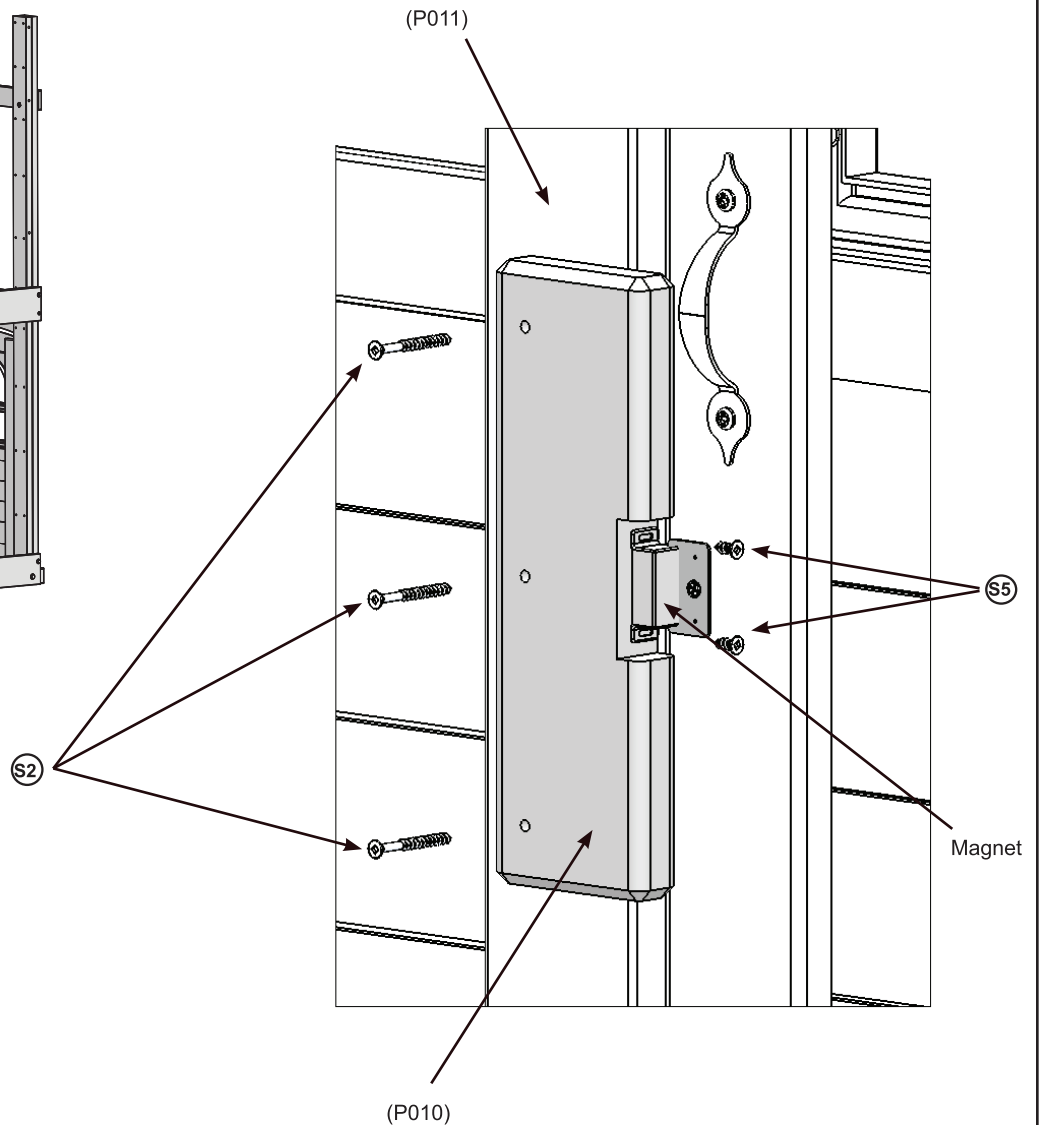
D: In the cutout of (P010), install Magnet using two S5. (F14.5 and F14.6)

E: From inside the assembly attach (P010) to (P011) with three S2, making sure that it overhangs (P011) and is properly aligned to receive the Catch Plate. (F14.5 and F14.6)

F14.5



F14.6



Wood Parts

1 x (P010) Door Stop

Components

1 x Magnet

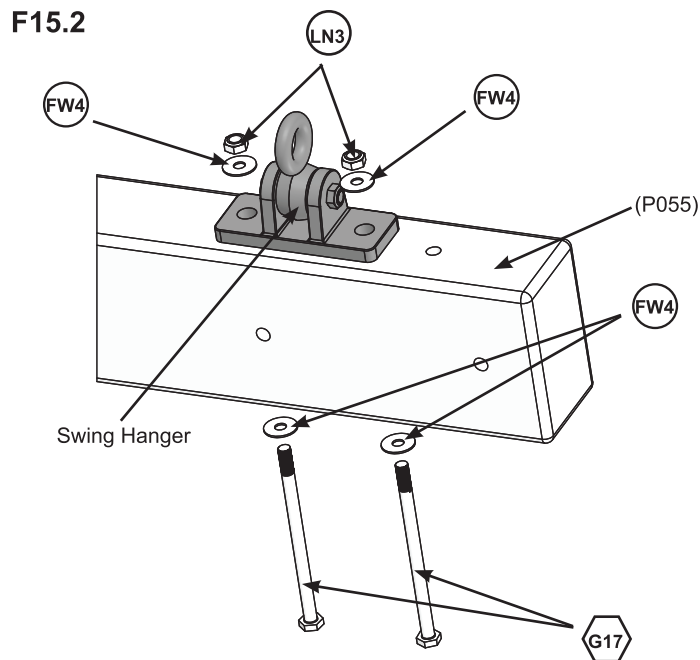
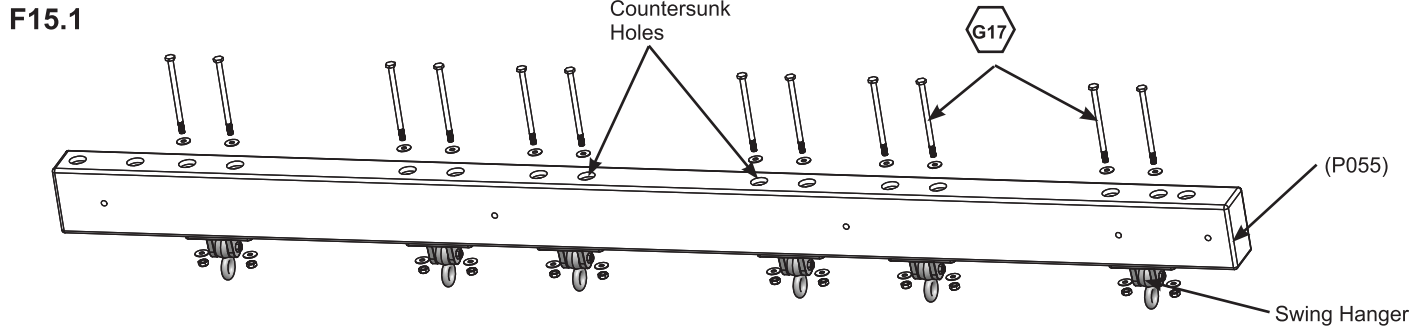
Hardware

3 x (S2) #8 x 1-1/2" Wood Screw

2 x (S5) #8 x 1/2" Pan Screw

Step 15: Swing Beam Assembly Part 1

A: Attach six Swing Hangers to (P055) using twelve G17 (with two FW4 and LN3), making sure bolts are installed through the countersunk holes. (F15.1 and F15.2)



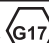
Wood Parts


1 x (P055) SW Beam

Components:

6 x Swing Hanger

Hardware

12 x  3/8 x 6" Hex Bolt

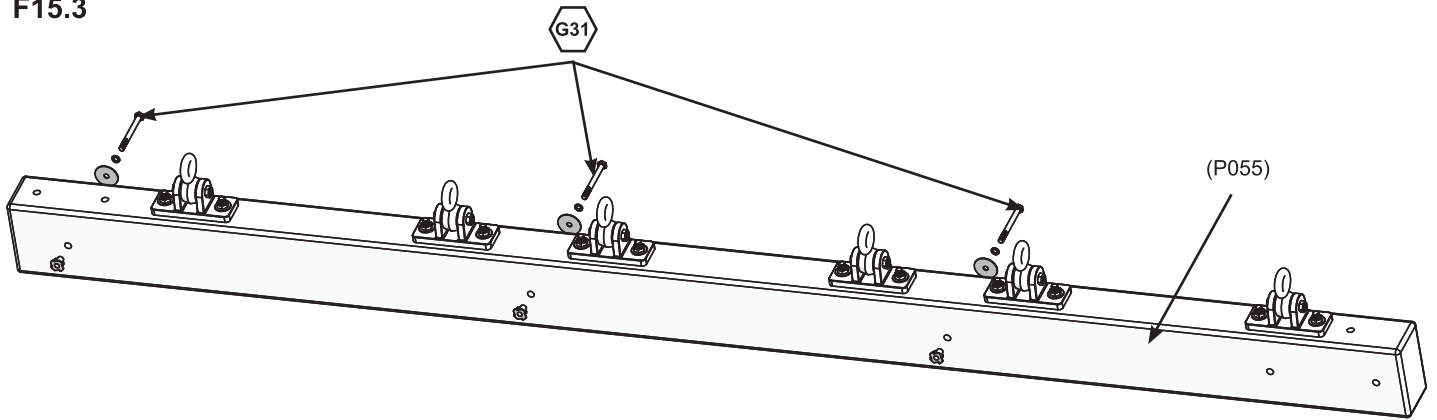
24 x  3/8" Flat Washer

12 x  3/8" Lock Nut

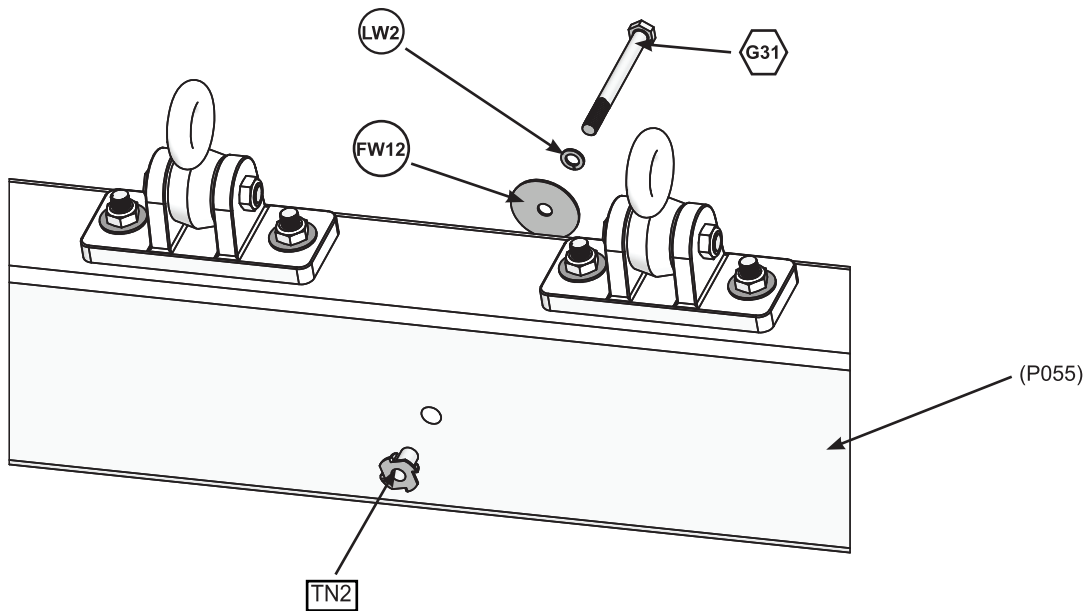
Step 15: Swing Beam Assembly Part 2

B: At the locations shown in F15.3 install three G31 (with LW2, FW12 and TN2). (F15.3 and F15.4)
THESE BOLTS MUST BE INSTALLED TO HELP REDUCE CHECKING OF THE WOOD.

F15.3




F15.4




Hardware

3 x  5/16" Large Washer

3 x  5/16 x 3-1/4" Hex Bolt

3 x  5/16" Lock Washer

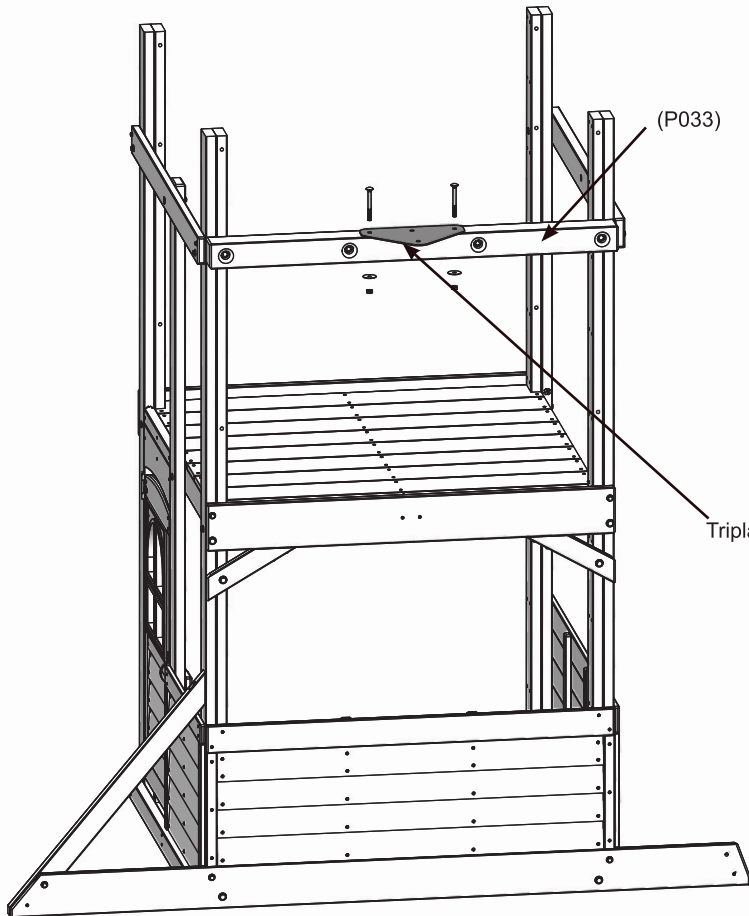
3 x  T-Nut 5/16"

Step 16: Attach Triplate

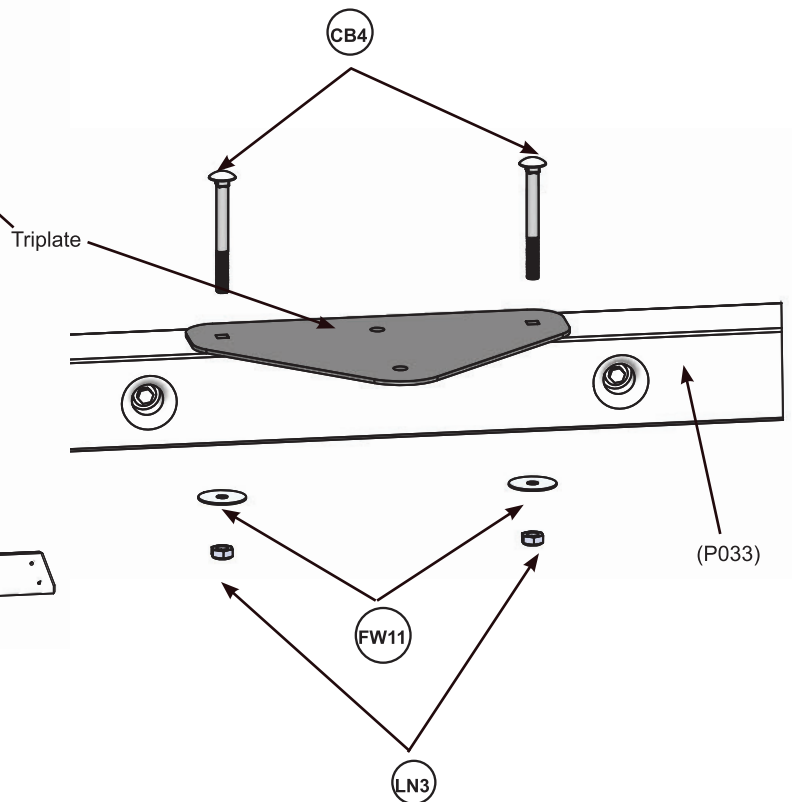


A: Position Triplate on (P033) so bolt holes align and overhang is towards the outside. Attach using the outside holes with two CB4 (with FW11 and LN3). (F16.1 and F16.2)

F16.1



F16.2



Components:

1 x Triplate

Hardware

2 x **CB4** 3/8 x 3 -1/2" Carriage Bolt

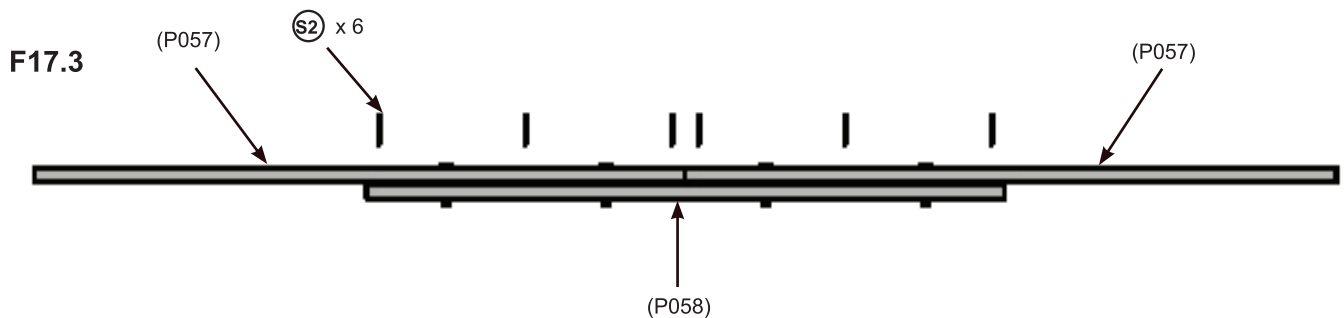
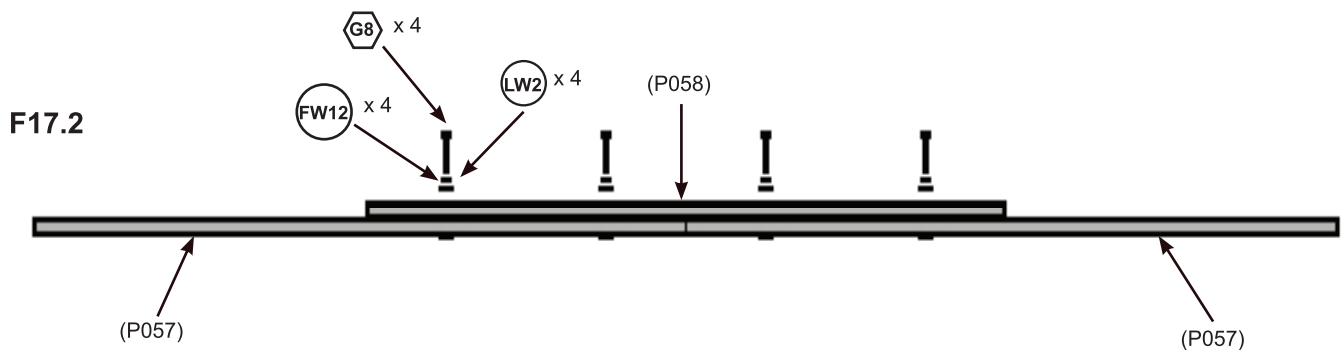
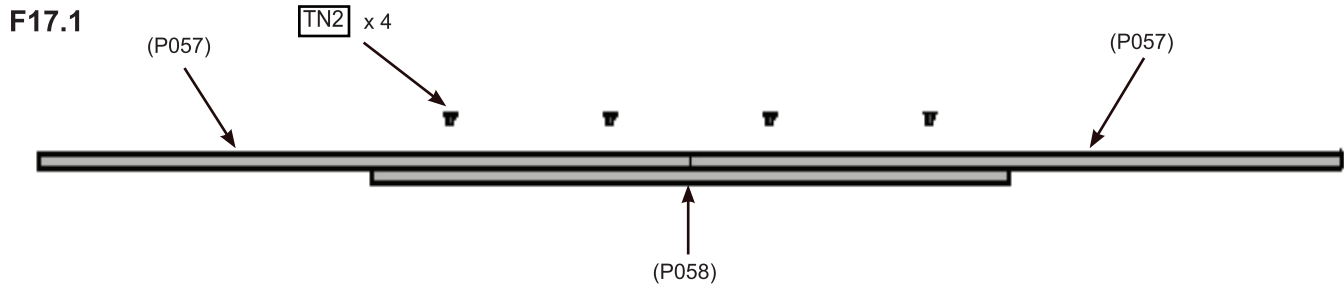
2 x **FW11** 3/8" Large Washer

2 x **LN3** 3/8" Lock Nut

Step 17: A Frame Assembly Part 1

A: Position two (P057)'s so the straight ends meet, taking note of the orientation. Tap four TN2 into the bolt holes. Flip (P057)'s over and place (P058) centered over both supports so bolt holes are aligned and edges are flush. Attach boards with four G8 (with LW2 and FW12). (F17.1 and F17.2)

B: Flip the assembly over and install six S2. (F17.3)



Wood Parts

- 2 x (P057) A-Frame Support
- 1 x (P058) A-Frame Support Joiner

Hardware

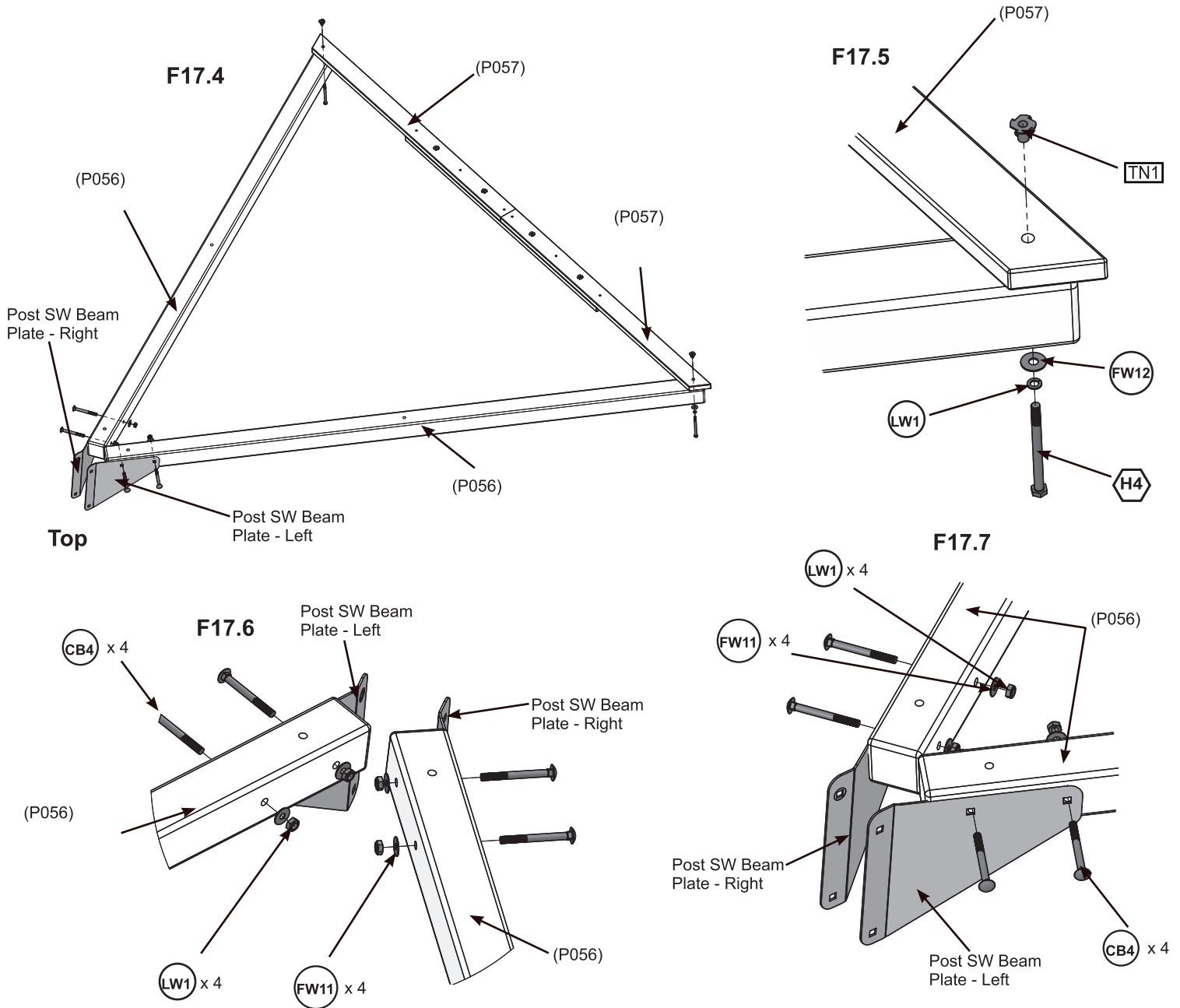
- 4 x (FW12) 5/16" Large Washer
- 4 x (G8) 5/16 x 2" Hex Bolt
- 4 x (TN2) T-Nut 5/16"
- 4 x (LW2) 5/16" Lock Washer
- 6 x (S2) #8 x 1-1/2" Wood Screw

Step 17: A Frame Assembly

Part 2

C: Position one (P056) under each end of the A-Frame Support Assembly so holes are aligned, and T-Nuts are on top. The double bolt holes should be at the top end. Loosely attach A-Frame Support Assembly to both (P056)'s with two H4 (with LW1, FW12 and TN1). (F17.4 and F17.5)

D: At the top end of the A-Frame Assembly, loosely install a Post SW Beam Plate Bracket - Left and a Post SW Beam Plate Bracket - Right using two CB4 (with FW11 and LN3) per bracket. The straight side of the brackets should be towards the outside of the A-Frame Assembly. (F17.4, F17.6 and F17.7)



Wood Parts

2 x (P056) A-Frame Leg

Components:

1 x Post SW Beam Plate - Left
1 x Post SW Beam Plate - Right

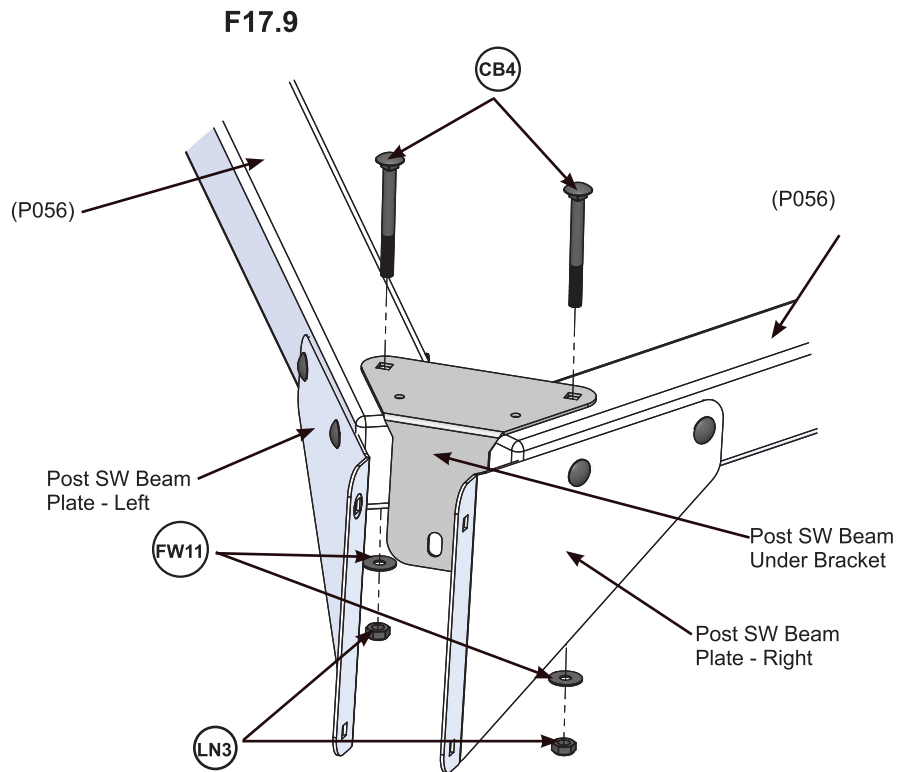
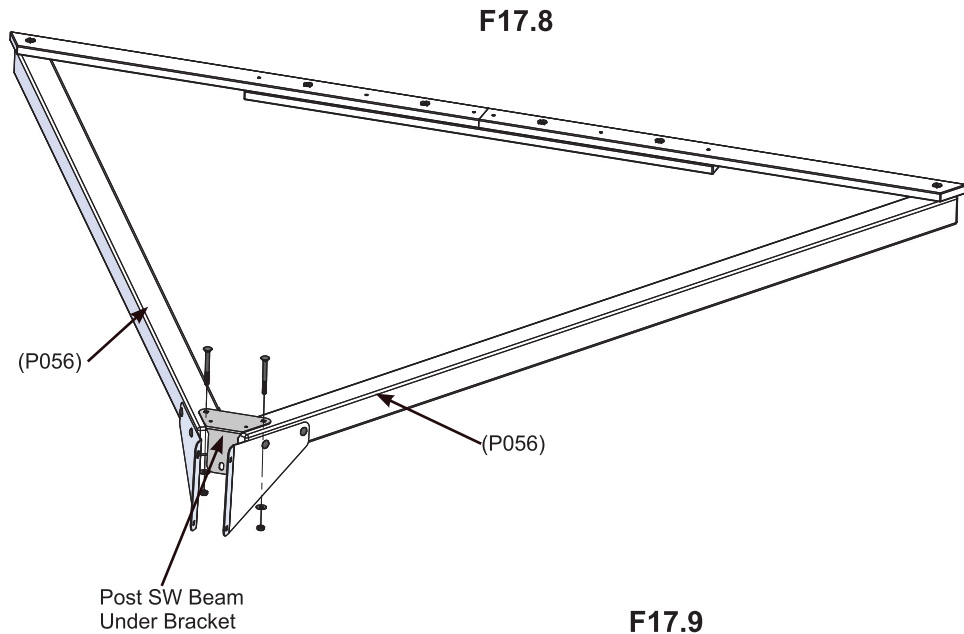
Hardware

2 x (H4) 1/4 x 4" Hex Bolt
4 x (CB4) 3/8 x 3-1/2" Carriage Bolt
2 x (LW1) 1/4" Lock Washer
2 x (TN1) 1/4" T-Nut
4 x (LN3) 3/8" Lock Nut
4 x (FW11) 3/8" Large Washer
2 x (FW12) 5/16" Large Washer

Step 17: A Frame Assembly

Part 3

E: Place a Post SW Beam Under Bracket so the holes align with the (P056)'s. Loosely attach with two CB4 (with FW11 and LN3). (F17.8 and F17.9)



Components:

1 x Post SW Beam Under Bracket

Hardware

2 x (CB4) 3/8 x 3-1/2" Carriage Bolt

2 x (LN3) 3/8" Lock Nut

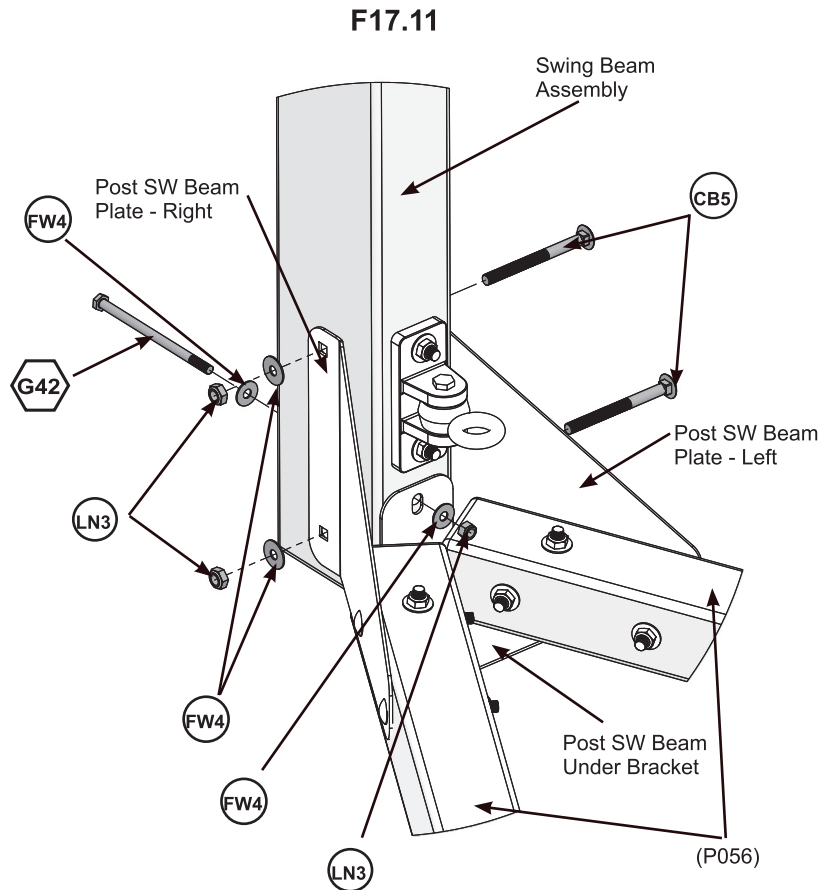
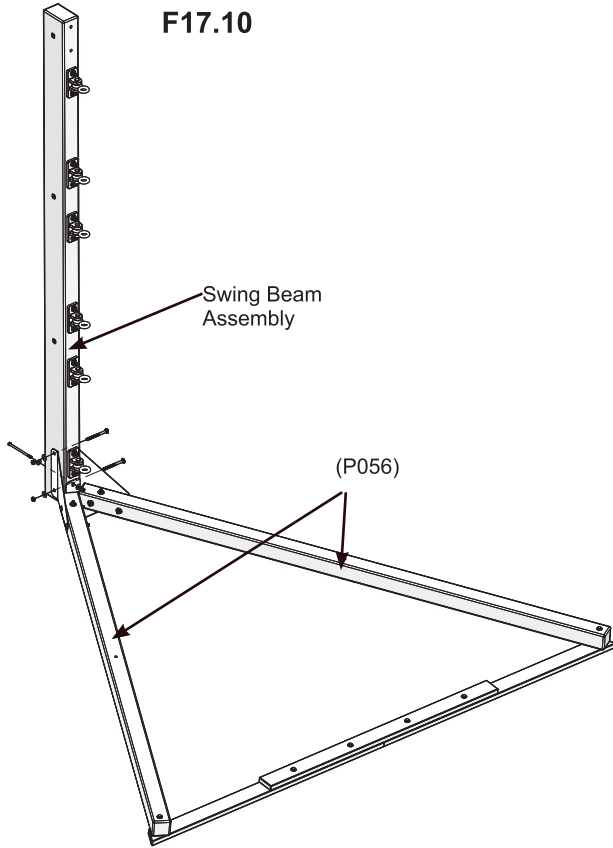
2 x (FW11) 3/8" Large Washer

Step 17: A Frame Assembly Part 4



F: With two helpers position the Swing Beam end with the double holes between the Post SW Beam Plate Bracket - Left and Post SW Beam Plate Bracket - Right so holes align. Loosely attach with one G42 (with two FW4 and LN3). (F17.10 and F17.11)

G: Loosely attach with two CB5 (with FW4 and LN3). (F17.10 and F17.11)



Hardware

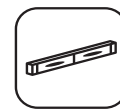
1 x 3/8 x 5-1/2" Hex Bolt

2 x 3/8 x 4" Carriage Bolt

3 x 3/8" Lock Nut

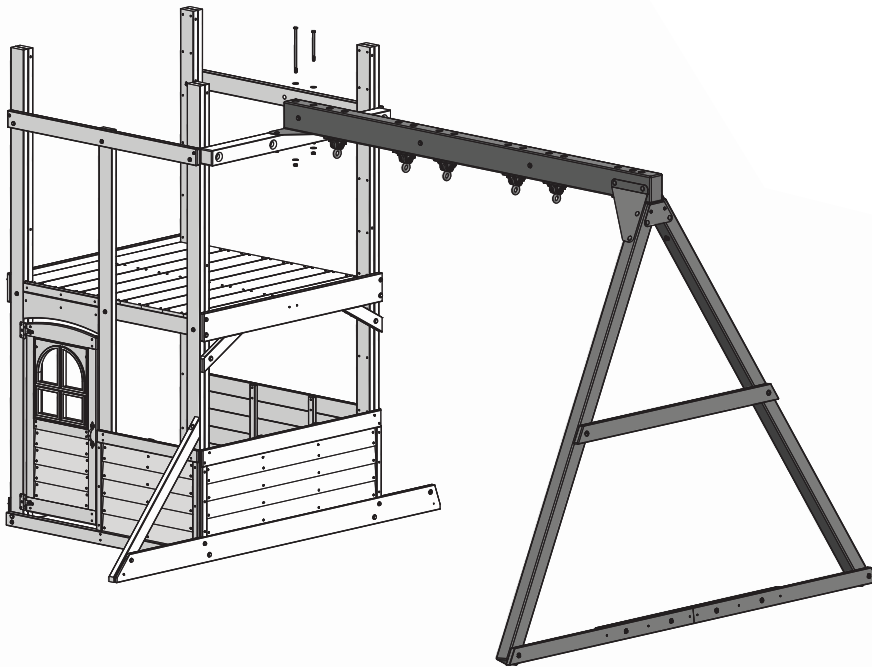
4 x 3/8" Flat Washer

Step 18: Attach Swing End Part 1

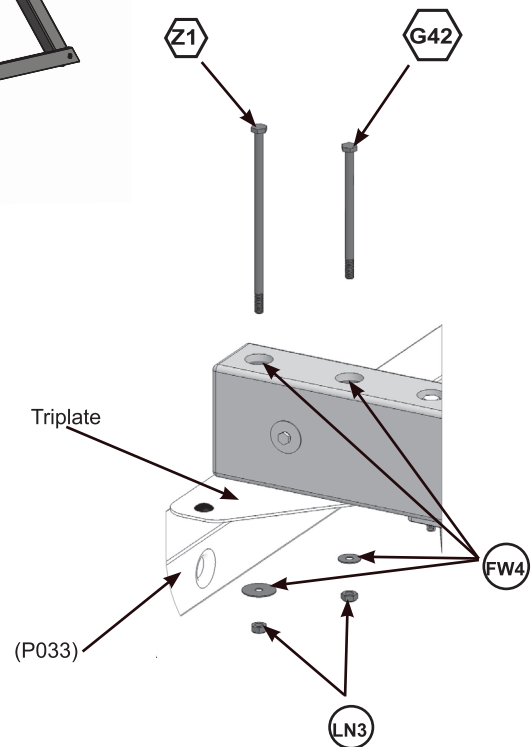






A: Carefully lift the Swing Assembly and center on the Triplate. Loosely attach with one Z1 (with two FW4 and LN3) and one G42 (with two FW4 and LN3). (F18.1 and F18.2)

F18.1

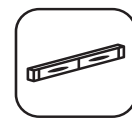
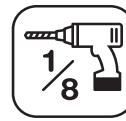


F18.2



- Hardware**
- | | | | |
|---|-----------------------|---|-----------------------|
| 1 x  G42 | 3/8 x 5-1/2" Hex Bolt | 1 x  Z1 | 3/8 x 8-3/4" Hex Bolt |
| | | 2 x  LN3 | 3/8" Lock Nut |
| | | 4 x  FW4 | 3/8" Flat Washer |

Step 18: Attach Swing End Part 2

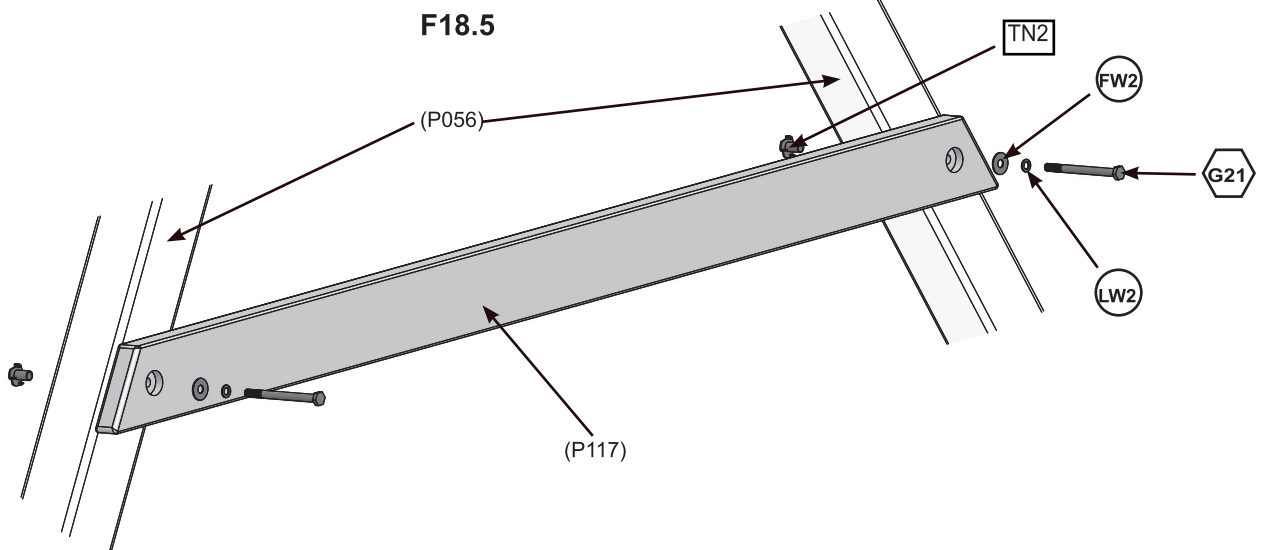
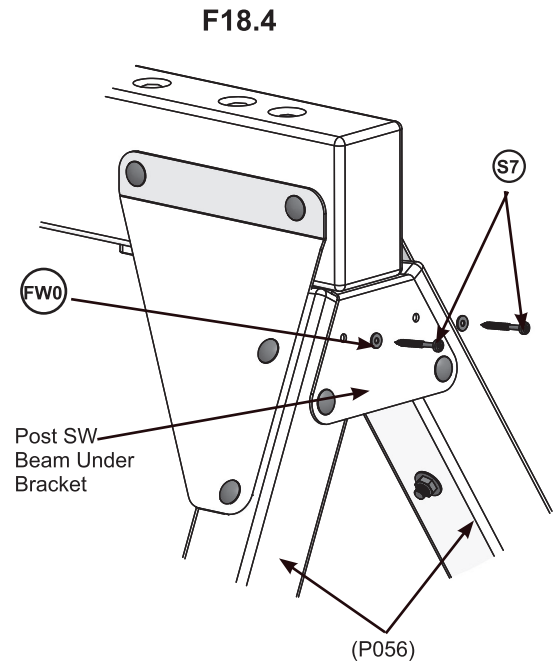
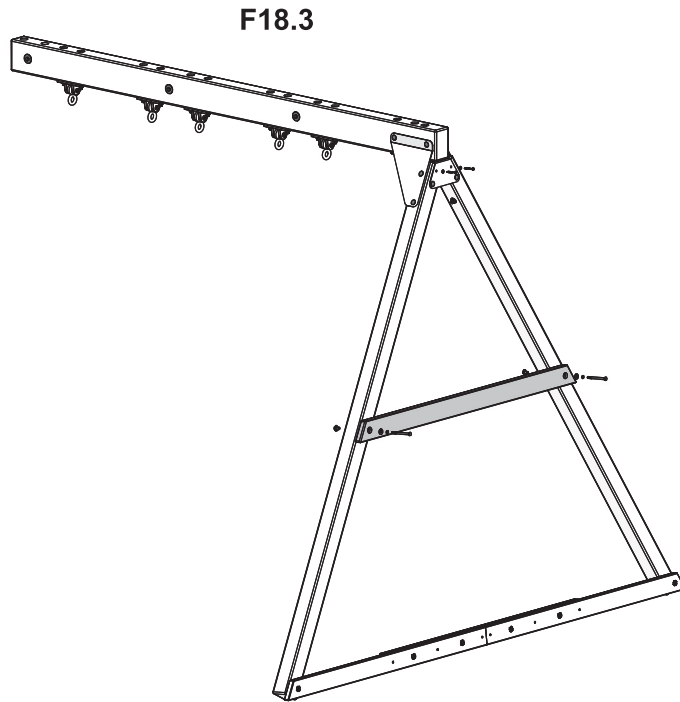


Note: Pre-drill all pilot holes using a 1/8" drill bit before installing Pan Screws.

B: Attach (P117) to (P056)'s using two G21 (with LW2, FW2 and TN2) (F18.3 and F18.5)

C: Check that Swing Beam Assembly is level, then tighten all bolts from Steps 17 and 18.

D: Attach Post SW Beam Under Bracket to (P056)'s using two S7 (with FW0). (F18.3 and F18.4)



Wood Parts

1 x (P117) A-Frame Mid Support

Hardware

2 x G21 5/16 x 3-3/4" Hex Bolt

2 x S7 #12 x 2" Pan Screw

2 x FW0 3/16" Flat Washer

2 x FW2 5/16" Flat Washer

2 x TN2 5/16" T-Nut

2 x LW2 5/16" Lock Washer

Step 19: Attach Ground Stakes



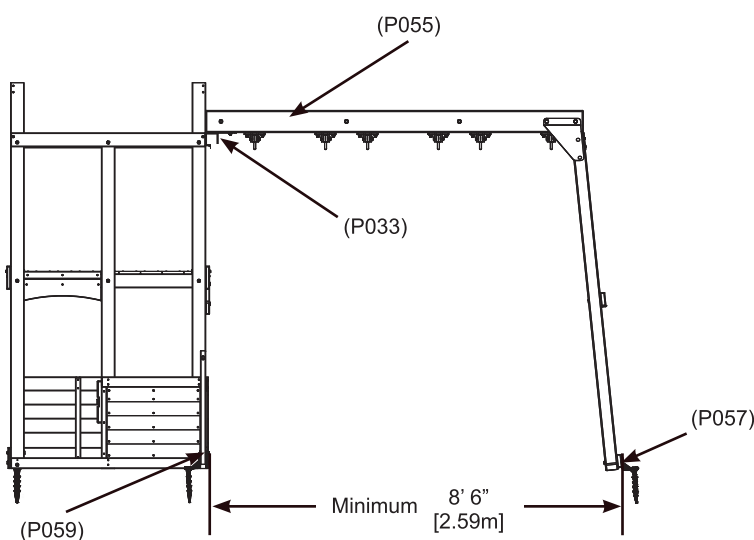
**MOVE FORT TO FINAL LOCATION PRIOR TO STAKING.
FINAL LOCATION MUST BE LEVEL GROUND**

⚠ WARNING! To prevent tipping and avoid potential injury, stakes must be driven fully into ground. Digging or driving stakes can be dangerous if you do not check first for underground wiring, cables or gas lines.

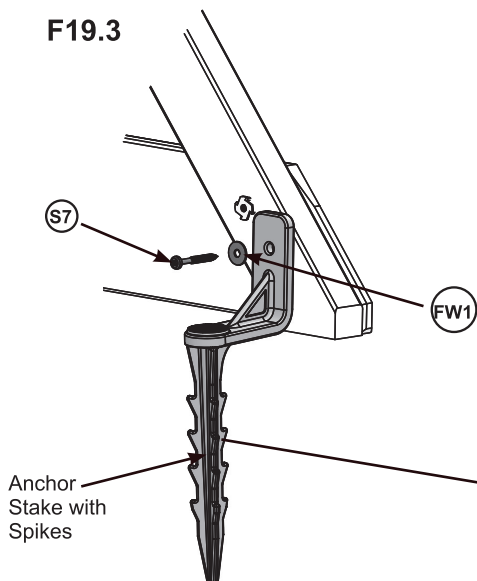
A: Adjust A-Frame Assembly so the distance between the (P059) and the outside of (P057) is a Minimum 8' 6" [2.59m] and (P055) is square to (P033). (F19.1)

B: Drive Anchor Stakes into the ground at the locations shown in F19.2, pre-drill and attach with one S7 (with FW1). (F19.3)

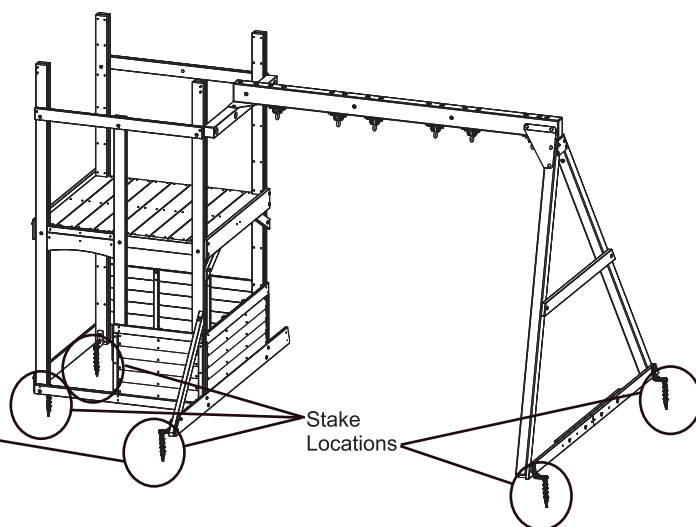
F19.1



F19.3



F19.2



Components:

5 x Anchor Stake with Spikes

Hardware

5 x **(S7)** #12 x 2" Pan Screw

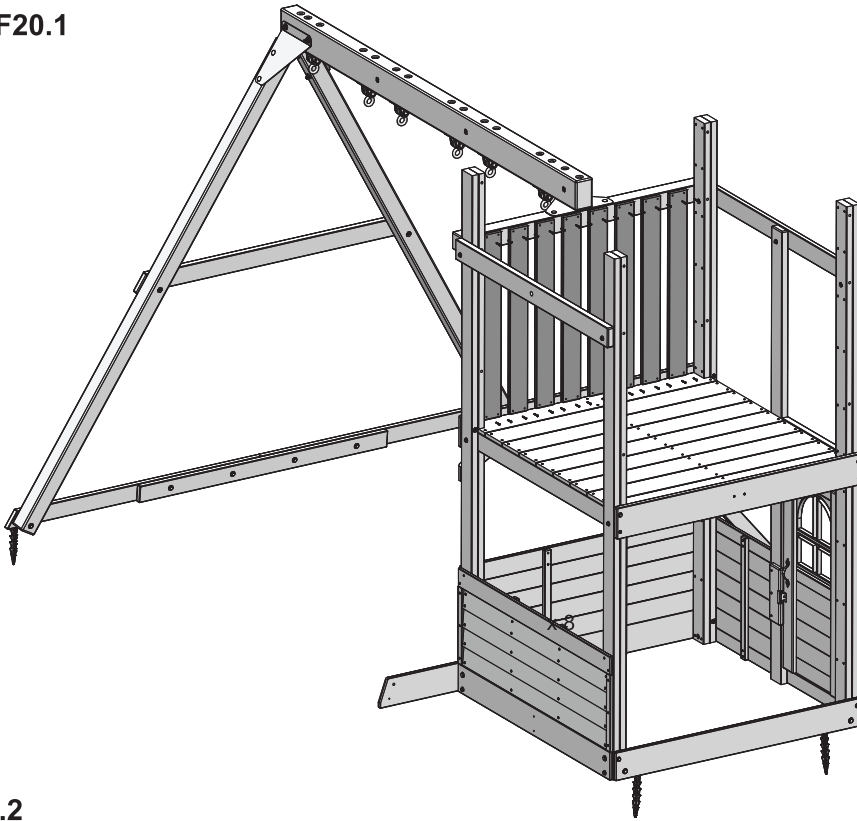
5 x **(FW1)** 1/4" Flat Washer

Step 20: Install SW Wall Boards

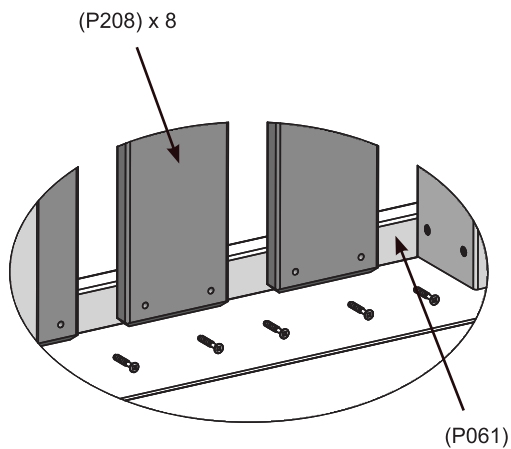


A: Evenly space 8 (P208)'s in the upper Swing Wall opening and attach to (P061) and (P033) with 32 S1. (F20.1, F20.2 and F20.3)

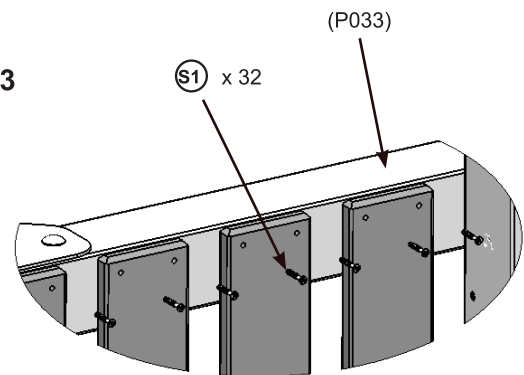
F20.1



F20.2



F20.3



Wood Parts

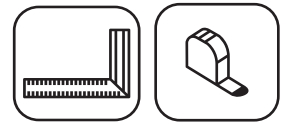
8 x (P208) Wall Board

Hardware

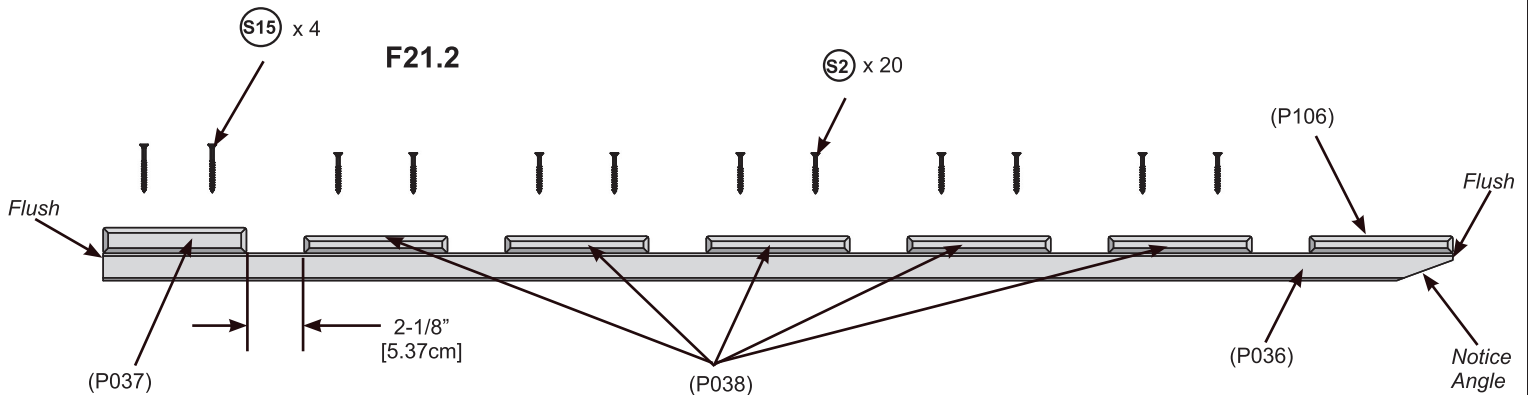
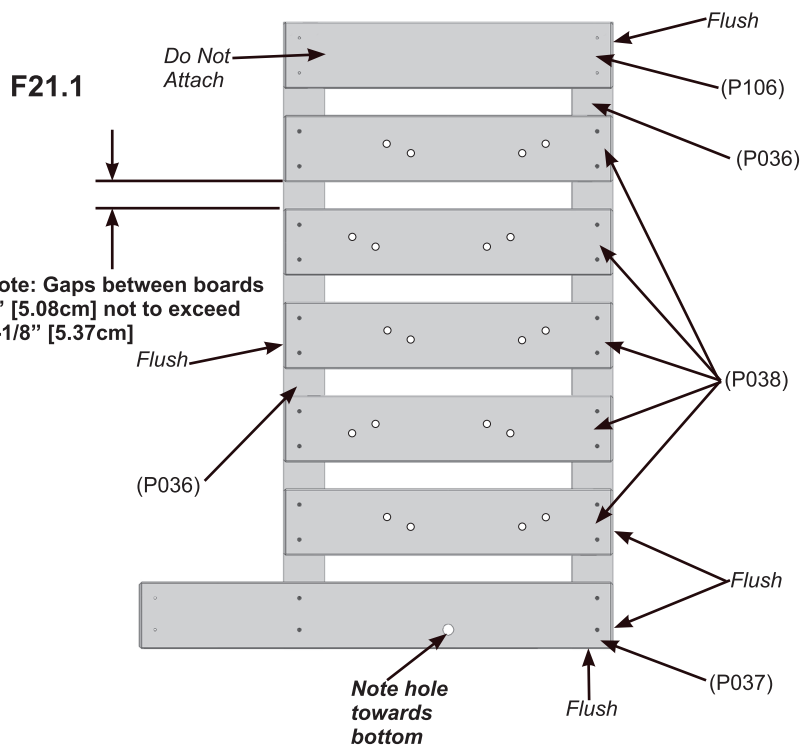
32 x (S1) #8 x 1-1/8" Wood Screw

Step 21: Rockwall Climber Assembly

Part 1



- A:** Lay two (P036) side by side, flat, with the angled ends facing downward. (F21.1 and F21.2)
- B:** Place (P037) across the bottom ends and flush to the right of the (P036) Rock Rails with the large hole towards the bottom. (F21.1)
- C:** At the opposite end of the (P036)'s, place one (P106) so it's flush to the ends and outside edges of the rails. **Do not attach.** (F21.1)
- D:** Place five (P038)'s so they are flush to the edges of the (P036)'s, evenly spaced and do not exceed 2-1/8" [5.37cm] between boards. (F21.2) Orientate (P038) as shown in F21.1.
- E:** Attach (P037) using four S15. (F21.1 and F21.2)
- F:** Attach (P038) using four S2 per board. (F21.1 and F21.2)



Wood Parts

- 2 x (P036) Rock Rail
- 1 x (P037) Rock Bottom
- 5 x (P038) Rock Board

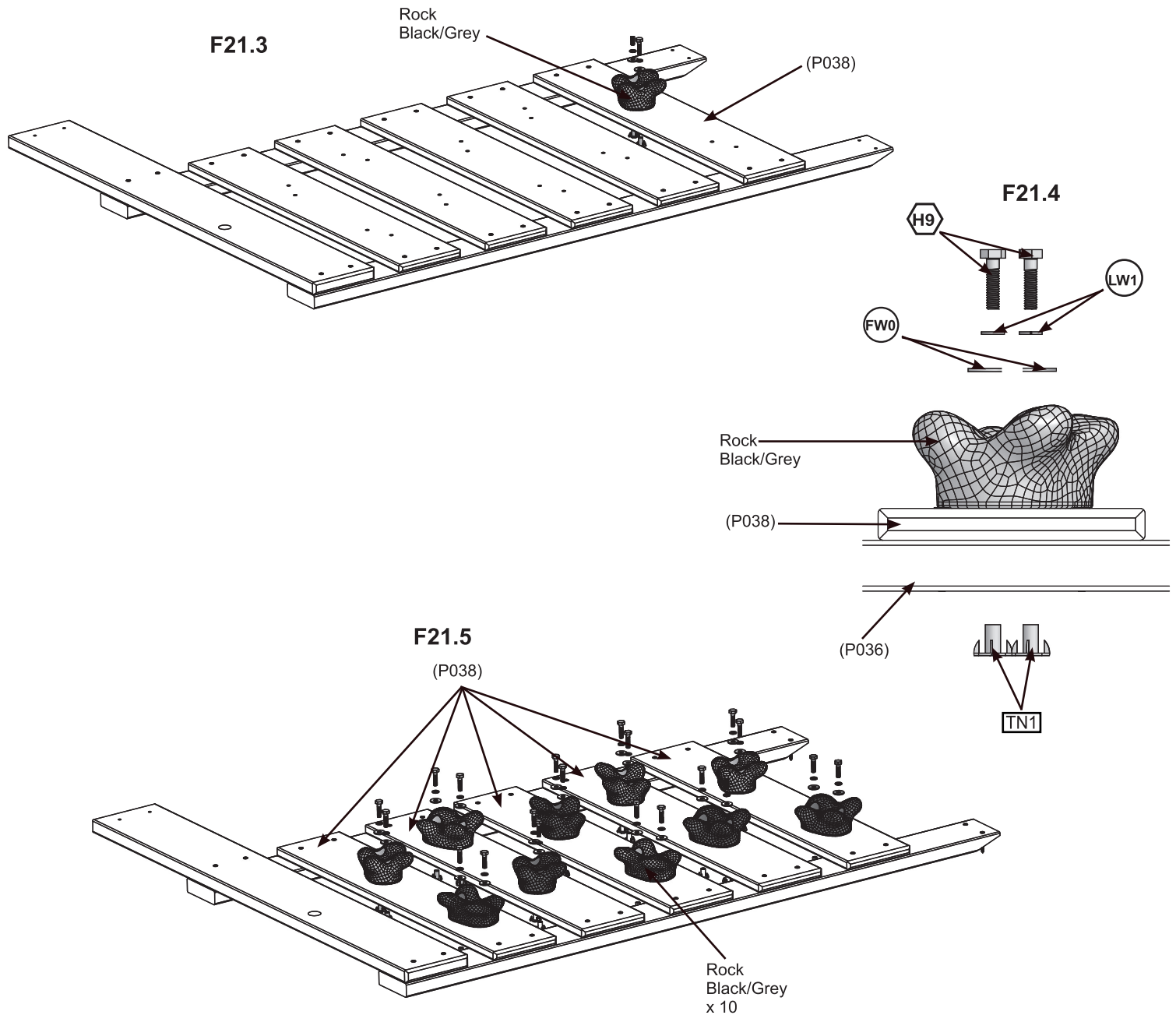
Hardware

- 20 x (S2) #8 x 1-1/2" Wood Screw
- 4 x (S15) #8 x 1-3/4" Wood Screw

Step 21: Rockwall Climber Assembly

Part 2

G: Place 2 Rocks on each (P038), alternating colors as desired. Attach using two H9 (with LW1, FW0 and TN1) per Rock. (F21.3, F21.4 and F21.5)



Components:

5 x Rock Black
5 x Rock Grey

20 x **H9** 1/4 x 1-1/4" Hex Bolt

Hardware

20 x **FW0** 3/16 Flat Washer

20 x **LW1** 1/4" Lock Washer

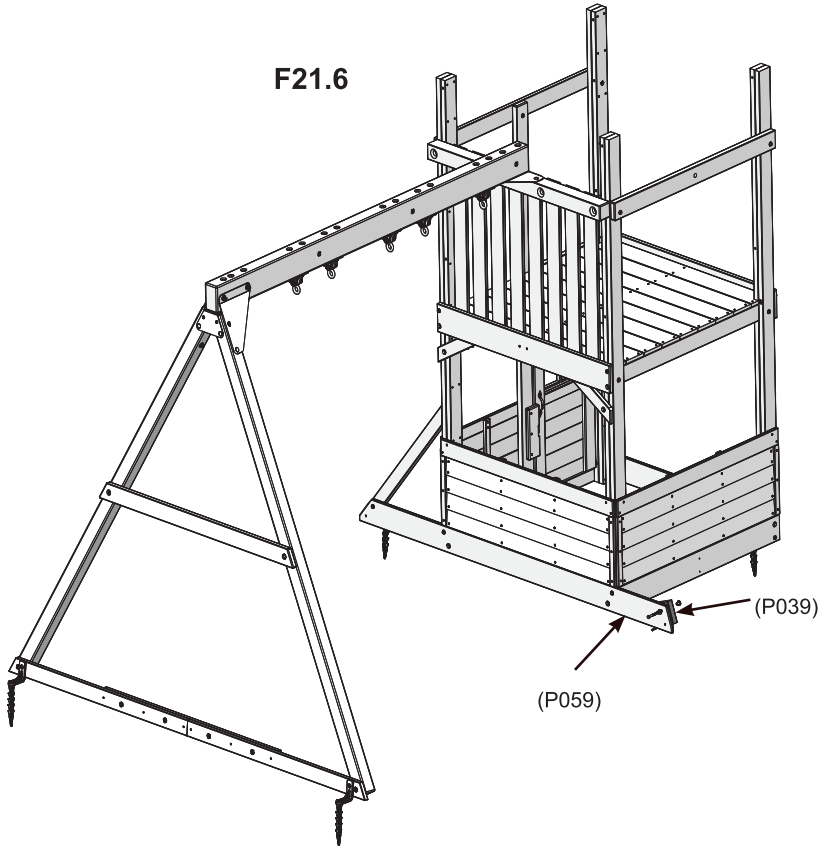
20 x **TN1** 1/4" T-Nut

Step 21: Rockwall Climber Assembly

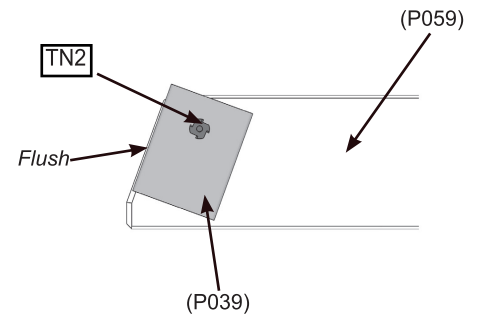
Part 3

H: Flush to the inside end of (P059), position one (P039) as shown in F21.6 and F21.7. Attach loosely using one G8 (with LW2, FW12 and TN2). Check that the edge of the block is flush to the edge of the board, then tighten bolt and install one S2. (F21.6, F21.7 and F21.8)

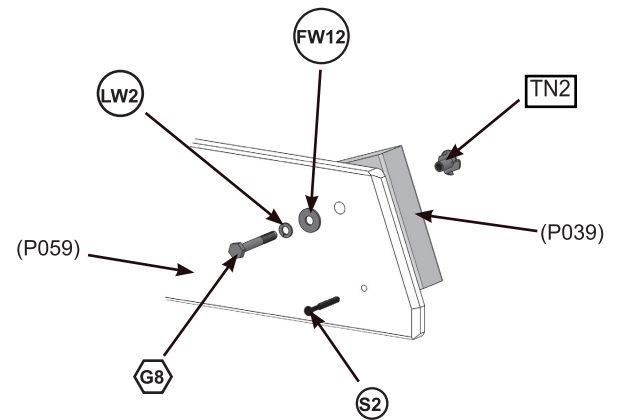
F21.6



F21.7



F21.8




Wood Parts

1 x (P039) Rock Wall Block


Hardware

1 x  5/16 x 2" Hex Bolt

1 x  #8 x 1-1/2" Wood Screw

1 x  5/16 Large Washer

1 x  5/16" Lock Washer

1 x  5/16" T-Nut

Step 22: Attach Rockwall Climber Assembly Part 1

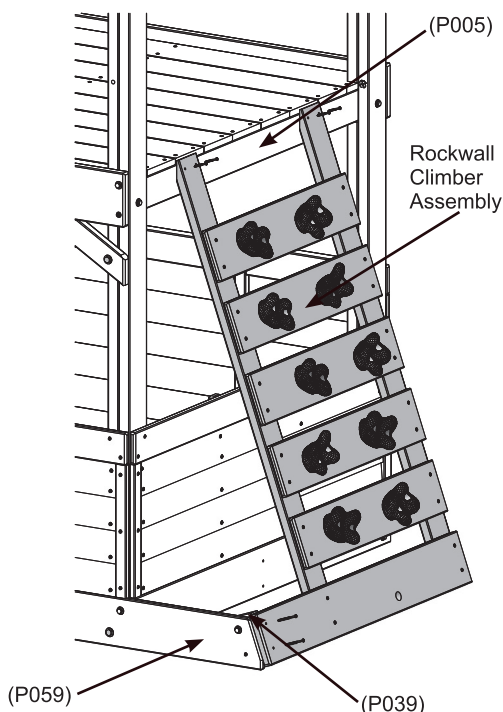


A: Place Rock Wall Assembly so it's centered in the opening on the Back Wall. (P037) should be flush to the outside of (P059). Have a helper hold the Rock Wall in place, then attach (P037) to (P039) using two S15. (F22.1, F22.2 and F22.3)

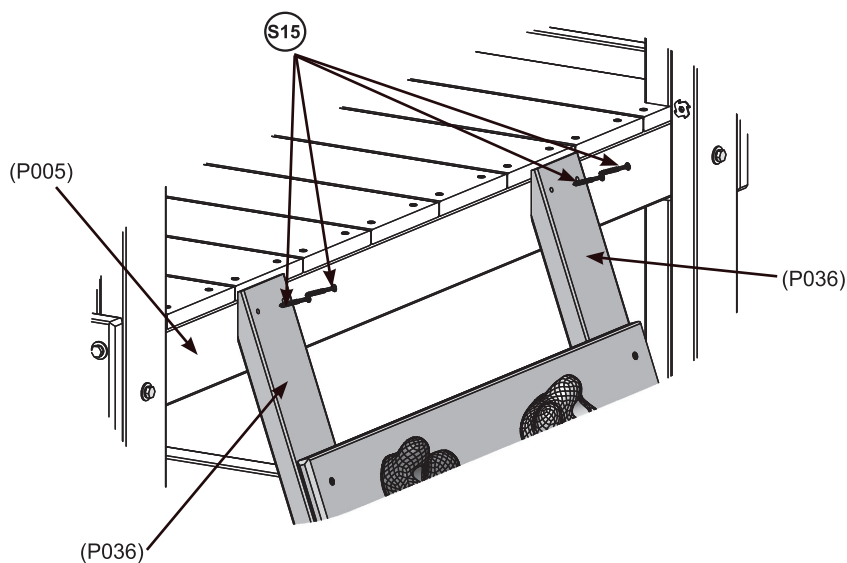
B: Attach the (P036) to (P005) with two S15 per Rail. (F22.1 and F22.3)

C: Place (P106) at the top of the Rock Wall so it's flush to the ends of (P036)'s. Attach using four S2. (F22.4)

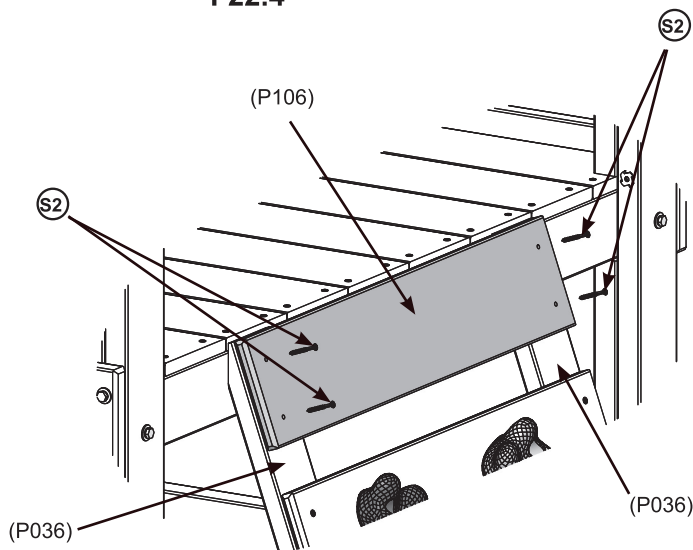
F22.1



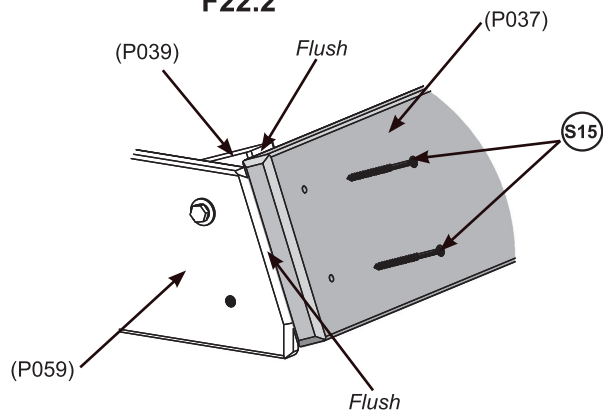
F22.3



F22.4



F22.2



Wood Parts

1 x (P106) Rock Top

Hardware

4 x (S2) #8 x 1-1/2" Wood Screw

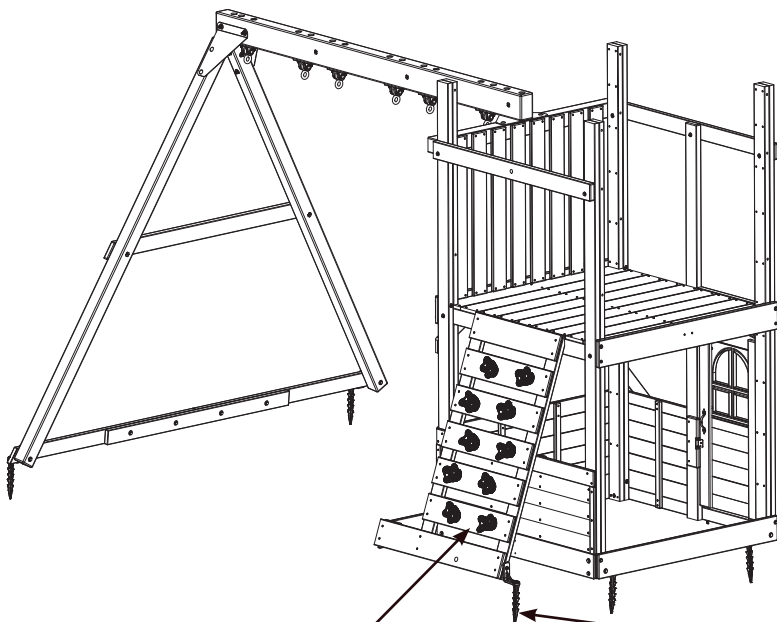
6 x (S15) #8 x 1-3/4" Wood Screw

Step 22: Attach Rockwall Climber Assembly Part 2

WARNING! To prevent tipping and avoid potential injury, stakes must be driven fully into ground. Digging or driving stakes can be dangerous if you do not check first for underground wiring, cables or gas lines.

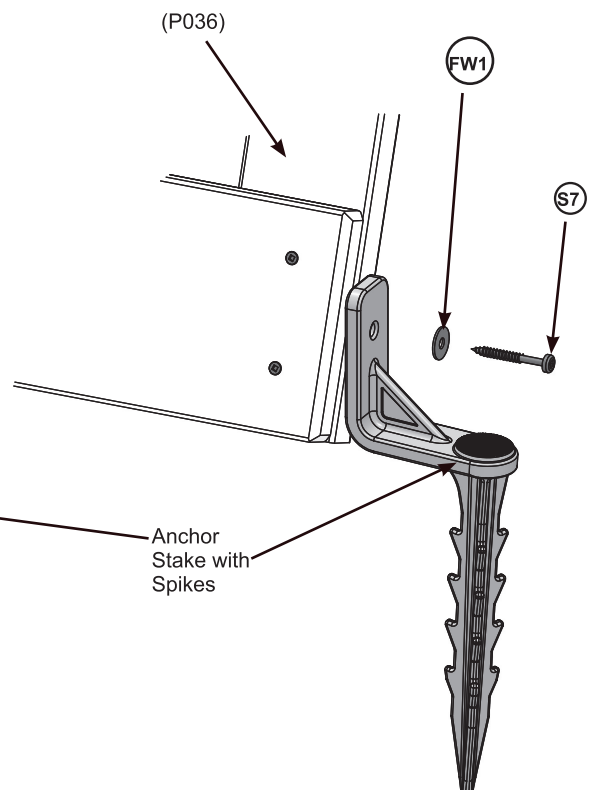
D: Drive Anchor Stake into the ground at the location shown in F22.5 and F22.6 then attach with one S7 (with FW1).

F22.5



Rockwall
Climber
Assembly

F22.6



(P036)

(FW1)

(S7)

Anchor
Stake with
Spikes

Components:

1 x Anchor Stake with Spikes

Hardware

1 x (S7) #12 x 2" Pan Screw

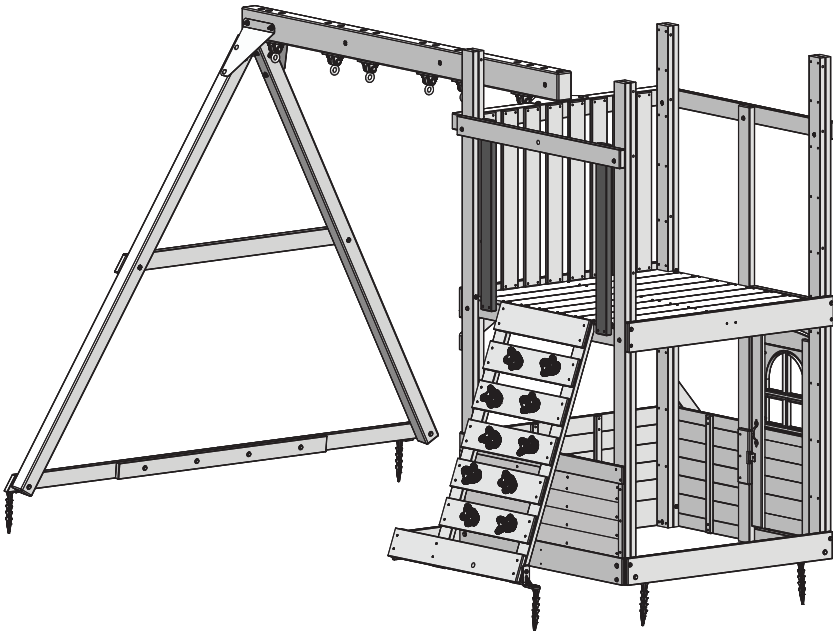
1 x (FW1) 1/4" Flat Washer

Step 23: Rock Wall Assembly

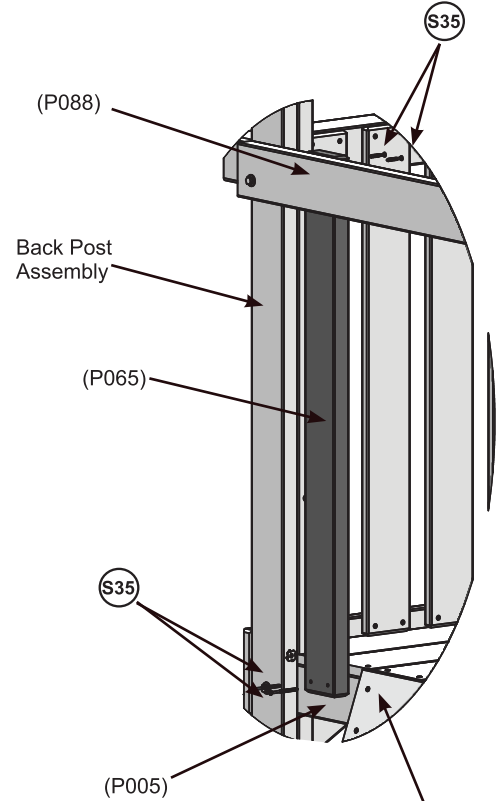


A: Place one (P065) at each side of the rock wall so they are evenly spaced between the Rock Wall Climber and Back Post Assemblies. The top end of the boards should be on the inside of (P088) and flush at the top. Attach to (P005) and (P088) using eight S35. (F23.1, F23.2, F23.3 and F23.4)

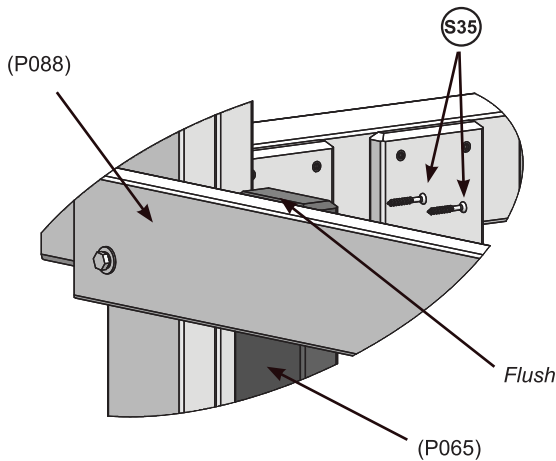
F23.1



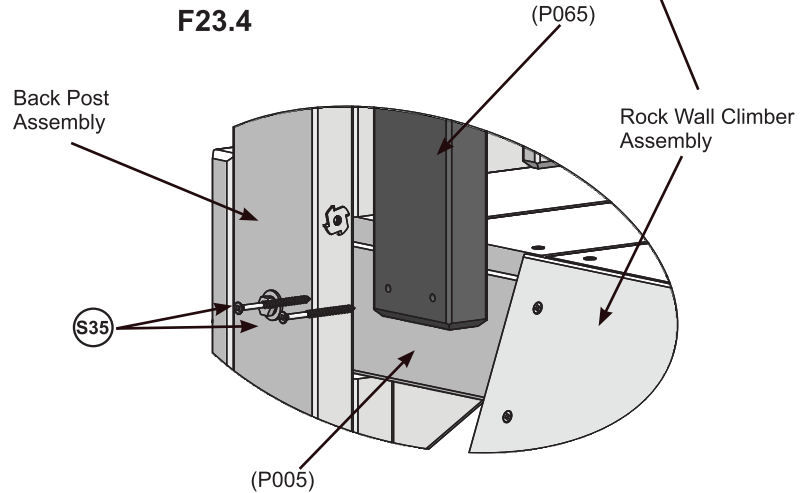
F23.2



F23.3



F23.4



Wood Parts

2 x (P065) Back Wall Board

Hardware

8 x (S35) #8 x 2-1/4" Wood Screw

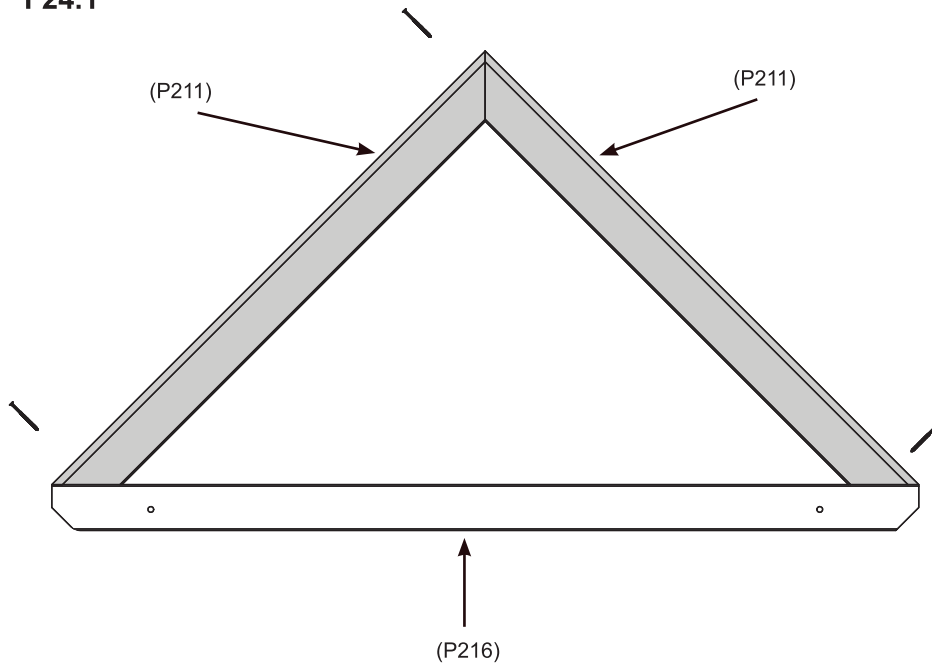
Step 24: Roof Assembly

Part 1

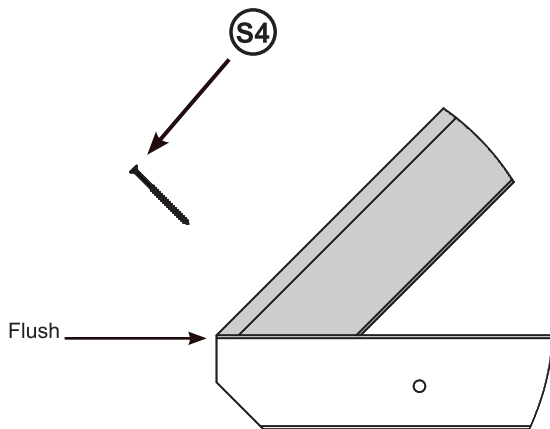
A: Place two (P211)'s end to end so they are tight together and flush at the peak. Install one S4 on an angle to connect the boards. (F24.1 and F24.3)

B: Place (P216) across the bottom of the assembly with the angled cuts facing downward, checking that the ends are flush. Attach through the (P211)'s using two S4. (F24.1 and F24.2)

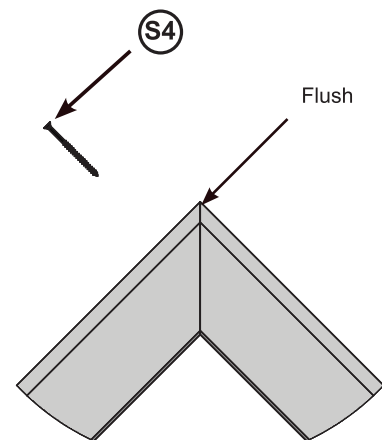
F24.1



F24.2



F24.3



Wood Parts

- 2 x (P211) Fascia
- 1 x (P216) Roof Base Rail

Hardware

- 3 x (S4) #8 x 3" Wood Screw

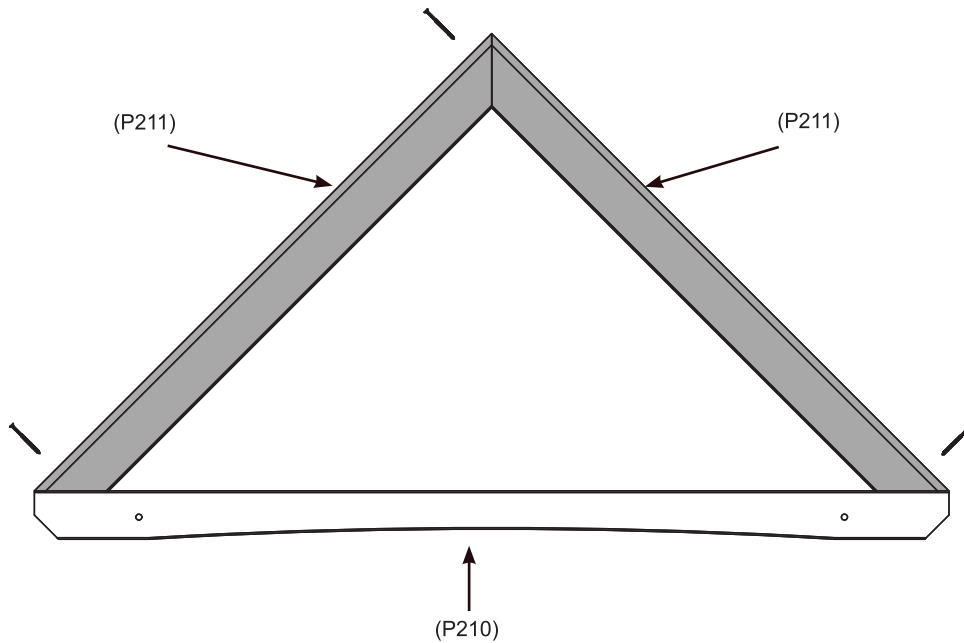
Step 24: Roof Assembly

Part 2

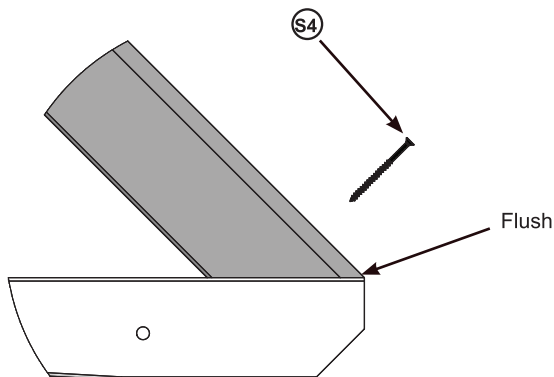
C: Place two (P211)'s end to end so they are tight together and flush at the peak. Install one S4 on an angle to connect the boards. (F24.4 and F24.6)

D: Place (P210) across the bottom of the assembly with the angled cuts facing downward, checking that the ends are flush. Attach through the (P211)'s using two S4. (F24.4 and F24.5)

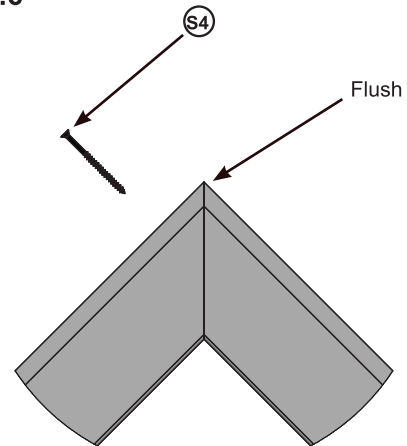
F24.4



F24.5



F24.6



Wood Parts

- 2 x (P211) Fascia
- 1 x (P210) Roof Base Rail Arch

Hardware

- 3 x (S4) #8 x 3" Wood Screw

Step 24: Roof Assembly

Part 3

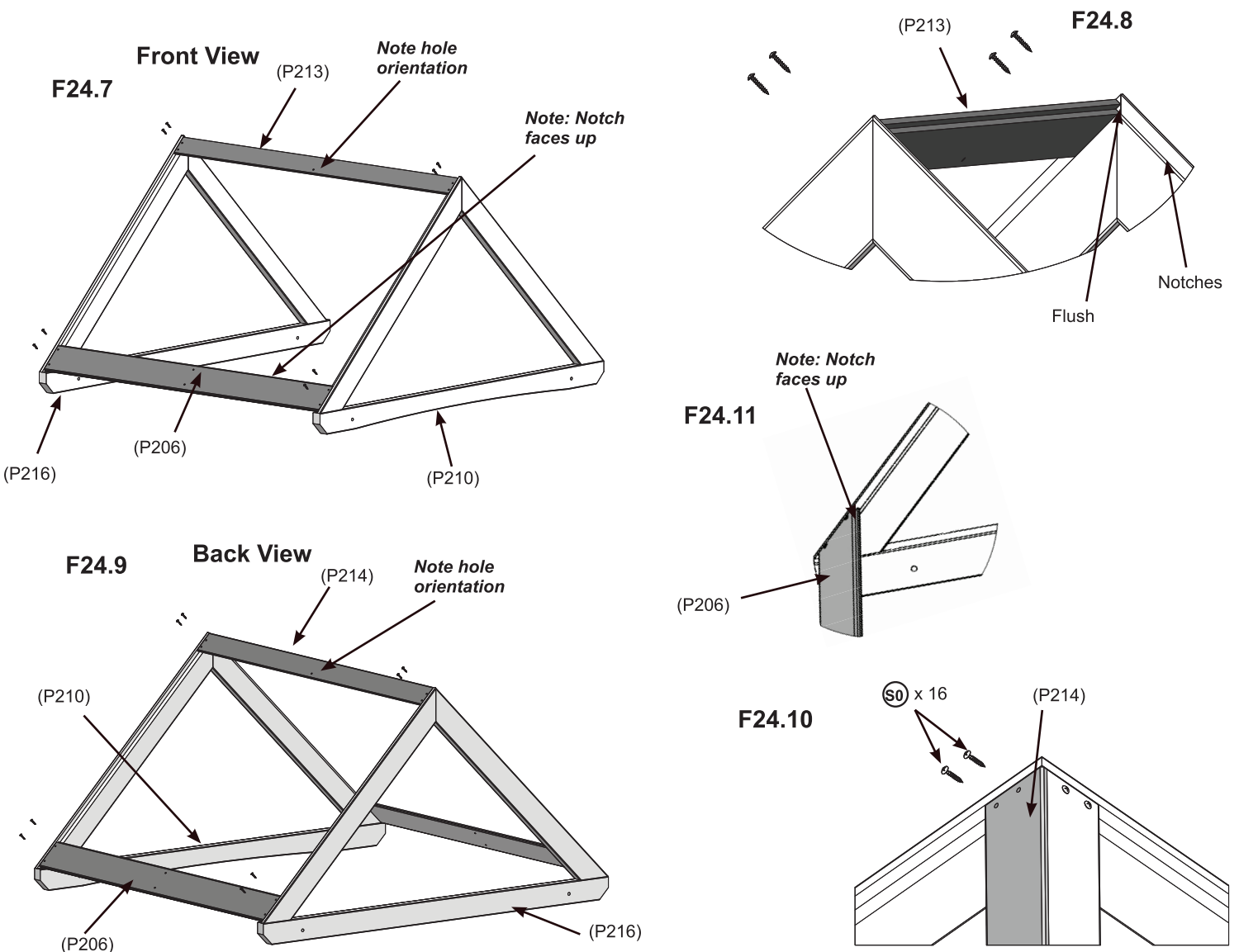


E: With a helper, stand each end of the Roof Frame Assembly with the notches facing in. Position the assemblies so (P210) is at the front as shown in F24.9, then place (P213) between the two ends so it sits on the notches and is flush to the peak with the center hole towards the bottom. Attach using four S0. (F24.7 and F24.8)

F: On the same side place (P206) across the lower opening of the assembly so the bottom of the board is flush to the top of each end rail, checking that the notch is facing up. Attach with four S0. (F24.7 and F24.11)

G: On the opposite side of the assembly place (P214) so it fits tightly into the groove of (P213) with the center hole towards the bottom. Attach using four S0. (F24.8, F24.9 and F24.10)

H: Place (P206) across the lower opening so the bottom the board is flush to the top of each end rail and the notch is facing up. Attach with four S0. (F24.9 and F24.11)



Wood Parts

- 2 x (P206) Roofing Bottom
- 1 x (P214) Peak Cap Wide
- 1 x (P213) Peak Cap

Hardware

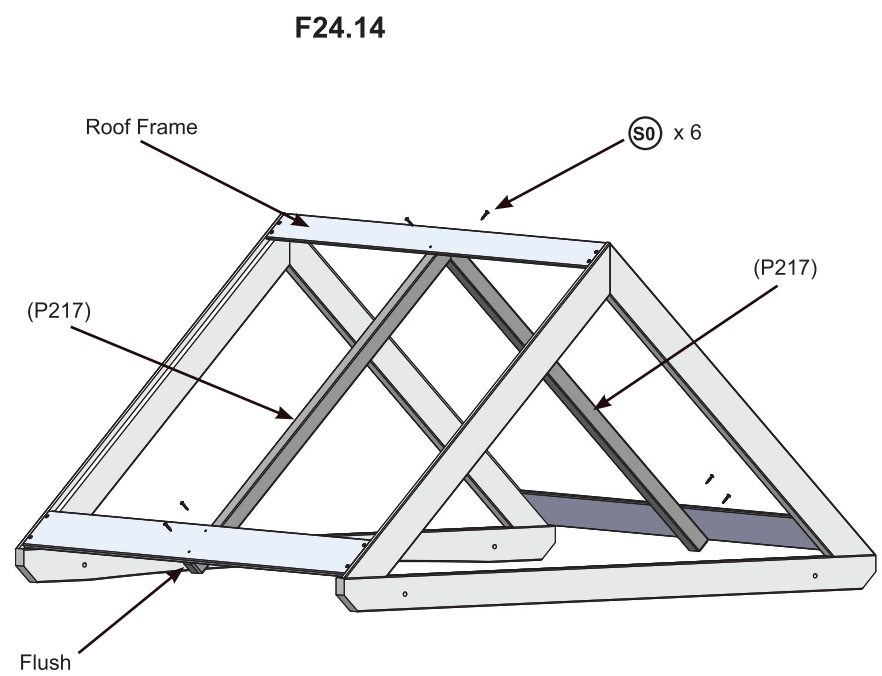
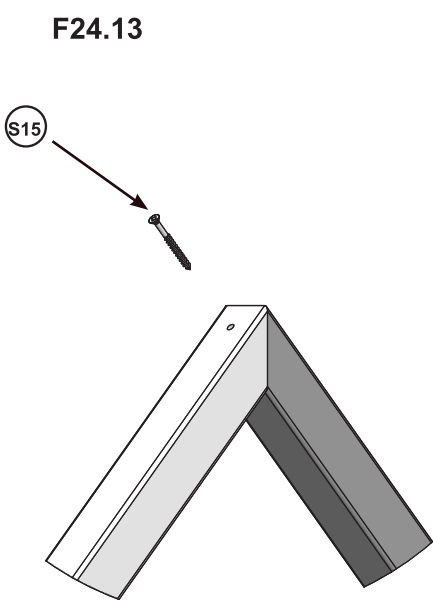
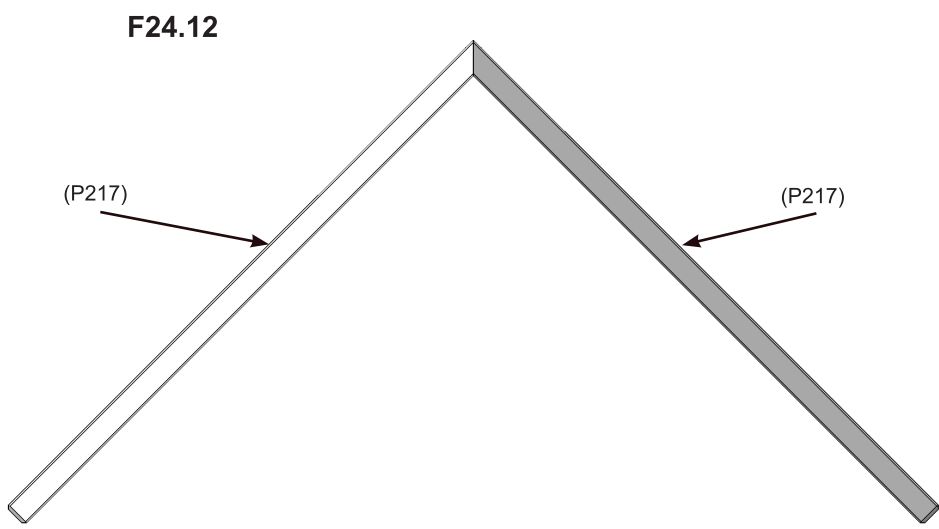
- 16 x (S0) #8 x 7/8" Truss Screw

Step 24: Roof Assembly Part 4



I: Put the angled ends of two (P217)'s tight together so they are flush at the peak. Attach using one S15. (F24.12 and F24.13)

J: Center the (P217) assembly on the inside of the Roof Frame and attach from the outside using six S0. (F24.14)



Wood Parts

2 x (P217) Roof Joist

Hardware

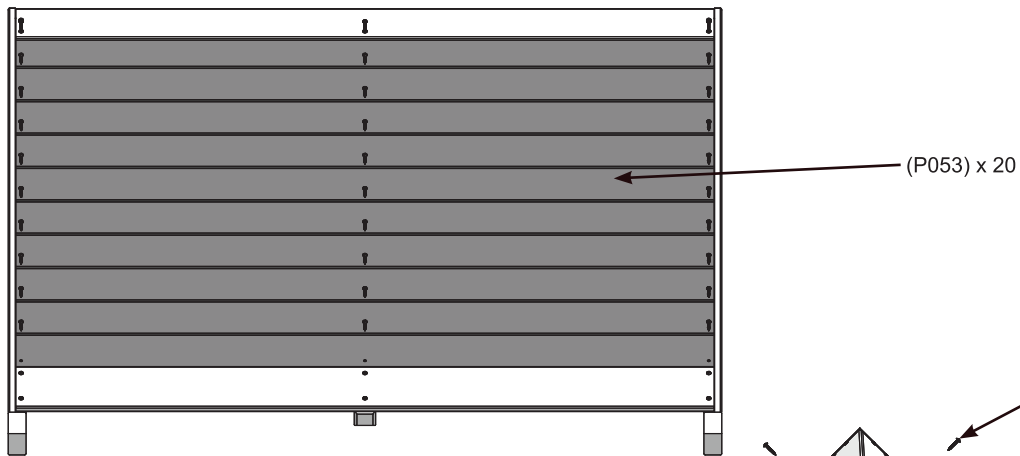
- 1 x (S15) #8 x 1-3/4" Wood Screw
- 6 x (S0) #8 x 7/8" Truss Screw

Step 24: Roof Assembly

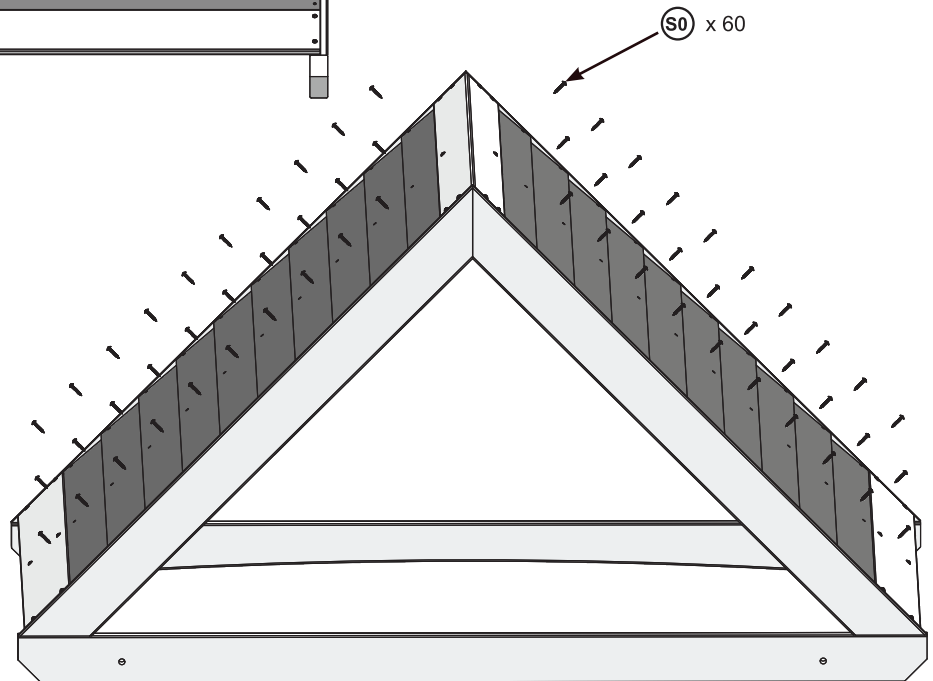
Part 5

K: In the openings on each side of the assembly, place 10 (P053)'s evenly spaced along the frame cuts outs. Attach using three S0 per board. (F24.15 and F24.16)

F24.15



F24.16



Wood Parts

20 x (P053) Roofing

Hardware

60 x S0 #8 x 7/8" Truss Screw

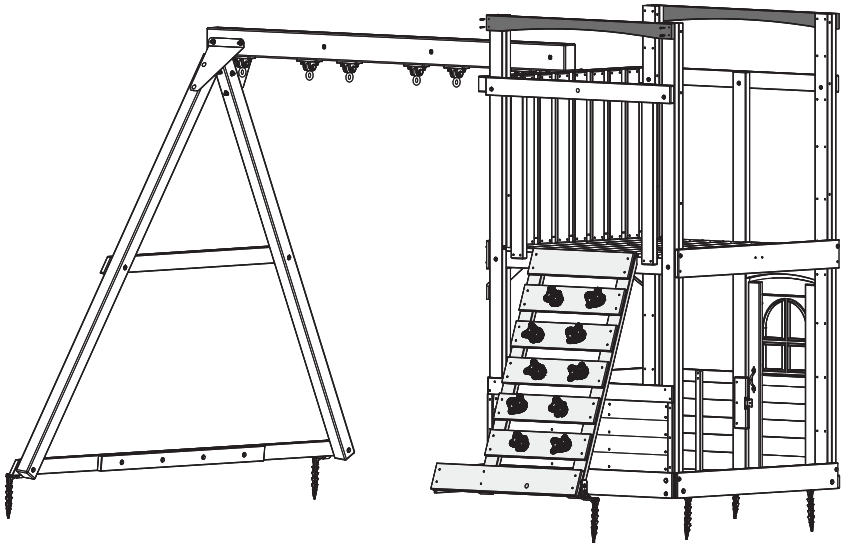
Step 25: Roof Installation



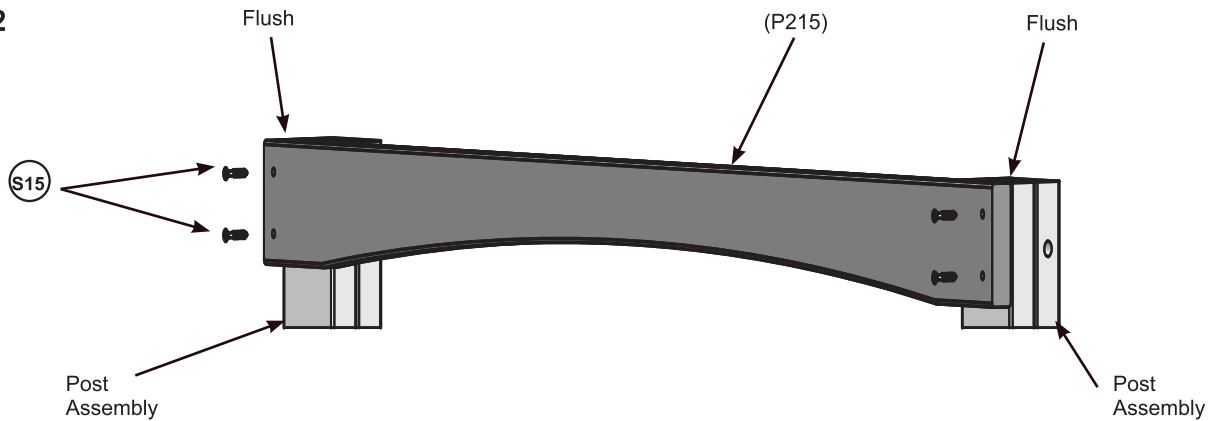
Part 1

A: Across the top of the Back Wall and the Front Wall attach a (P215) flush to the top of each Post Assembly with four S15 per board. (F25.1 and F25.2)

F25.1



F25.2



Wood Parts

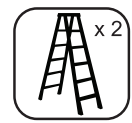
2 x (P215) Roof Base Filler Rail

Hardware

8 x (S15) #8 x 1-3/4" Wood Screw

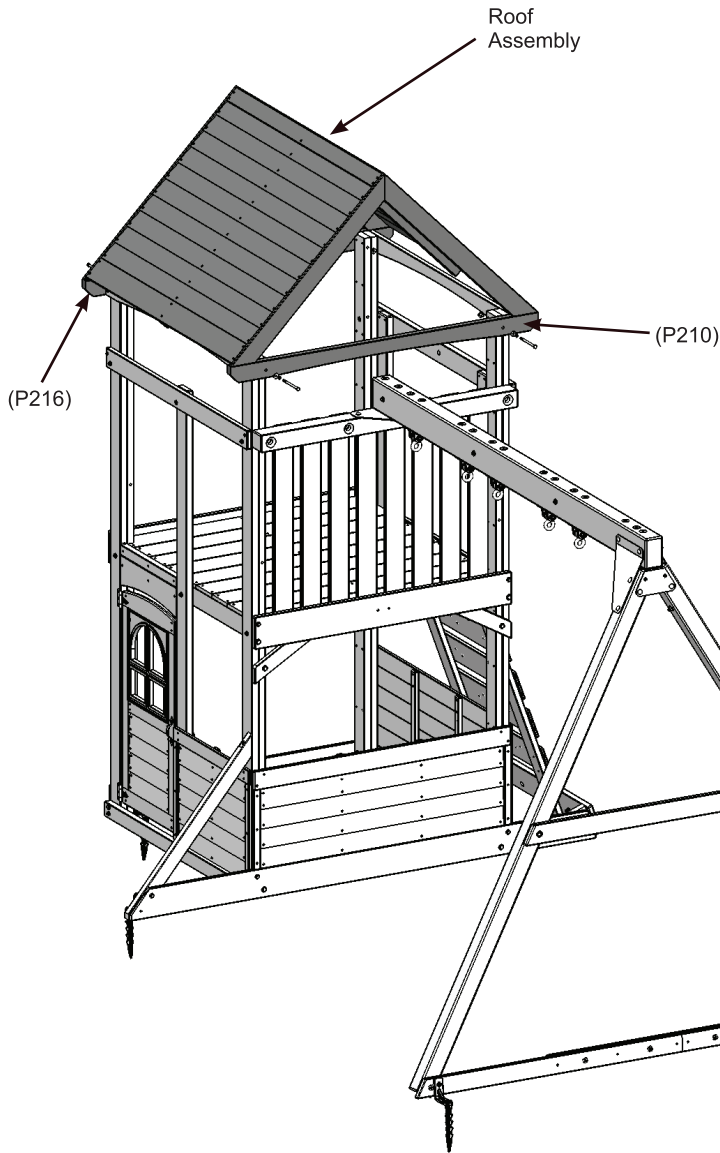
Step 25: Roof Installation

Part 2

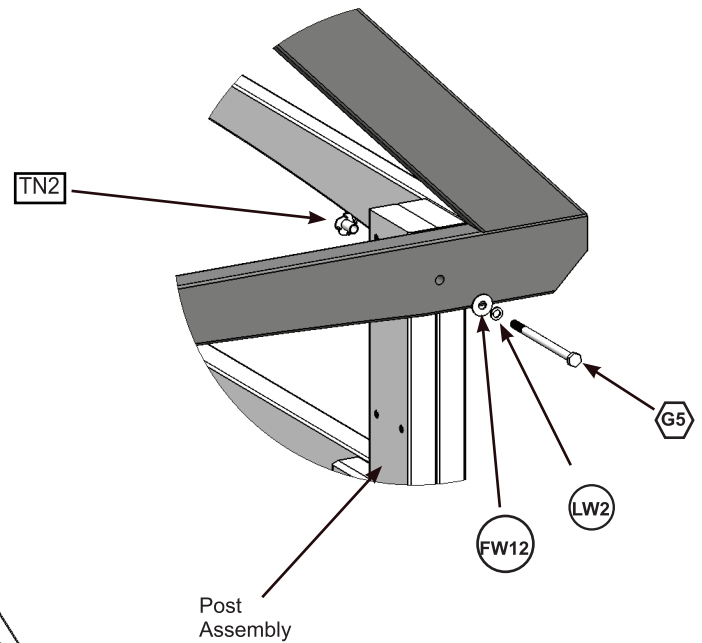


B: With at least one helper, lift the Roof Assembly up and over the Frame Assembly so (P210) is on the Swing Wall side and so the bolt holes in the Roof Frame line up with the Post Assemblies. Attach the Roof Assembly to the Post Assemblies from the outside using four G5 (with LW2, FW12 and TN2). (F25.3 and F25.4)

F25.3



F25.4



Hardware

4 x FW12 5/16" Large Washer

4 x G5 5/16 x 4-1/2" Hex Bolt

4 x TN2 T-Nut 5/16"

4 x LW2 5/16" Lock Washer

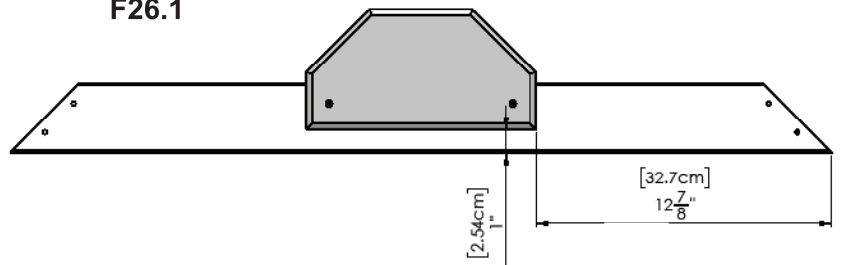
Step 26: Gable Assembly



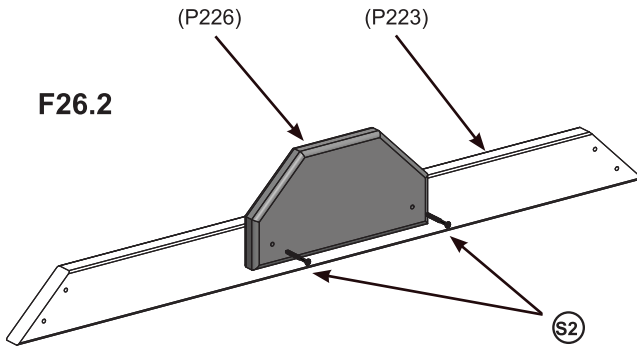
Part 1

- A:** Place (P226) onto (P223), 12-7/8" [32.7cm] in from each corner and 1" [2.54cm] up from the bottom of the (P223). Attach with two S2. (F26.1 and F26.2)
- B:** Flip the assembly over and place (P224) tight to (P223) and centered over (P226). Attach with two S1. (F26.3 and F26.4)
- C:** Place (P225)'s on each side of (P224) tight into the corners. Attach with one S1 per board. (F26.3 and F26.4)
- D:** Repeat steps A, B and C to create a second Gable Assembly.

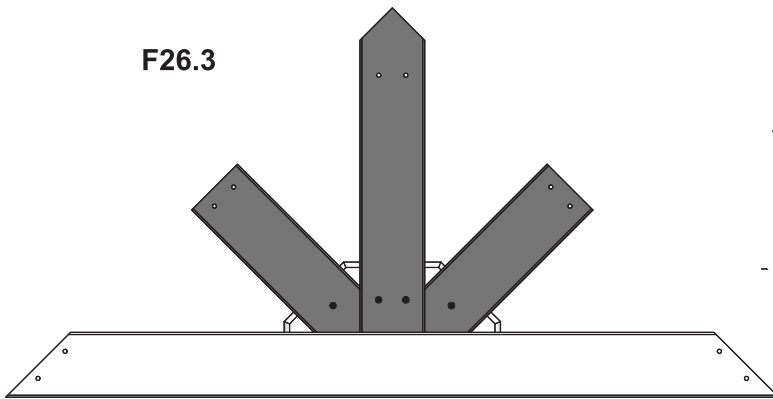
F26.1



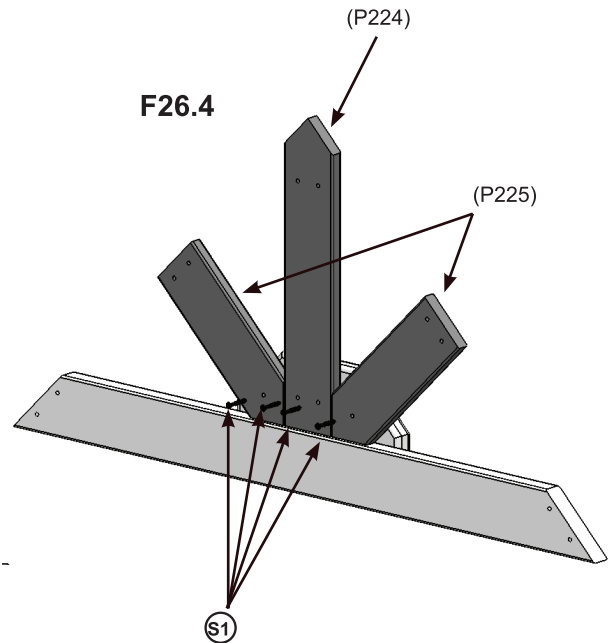
F26.2



F26.3



F26.4



Wood Parts

- 2 x (P223) Gable Bottom
- 2 x (P226) Sunburst
- 2 x (P224) Center Gable
- 4 x (P225) Side Gable

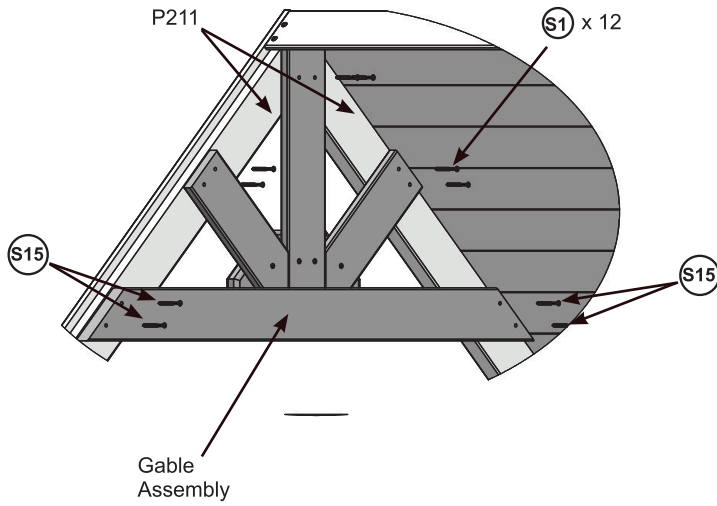
Hardware

- 4 x (S2) #8 x 1-1/2" Wood Screw
- 8 x (S1) #8 x 1-1/8" Wood Screw

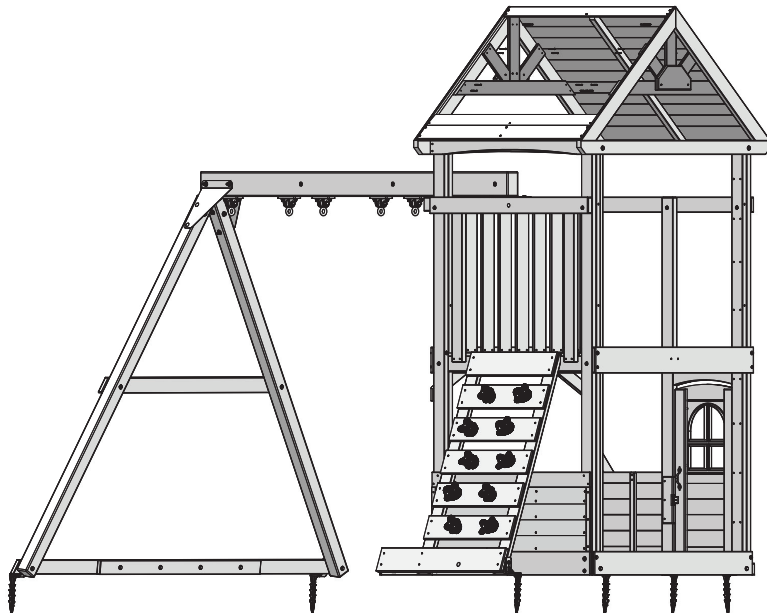
Step 26: Gable Assembly Part 2

E: From inside the fort, position each Gable Assembly tight to the roof assemblies on each end and attach to (P211)'s with four S15 and six S1 per side. (F26.5 and F26.6)

F26.5



F26.6



Hardware

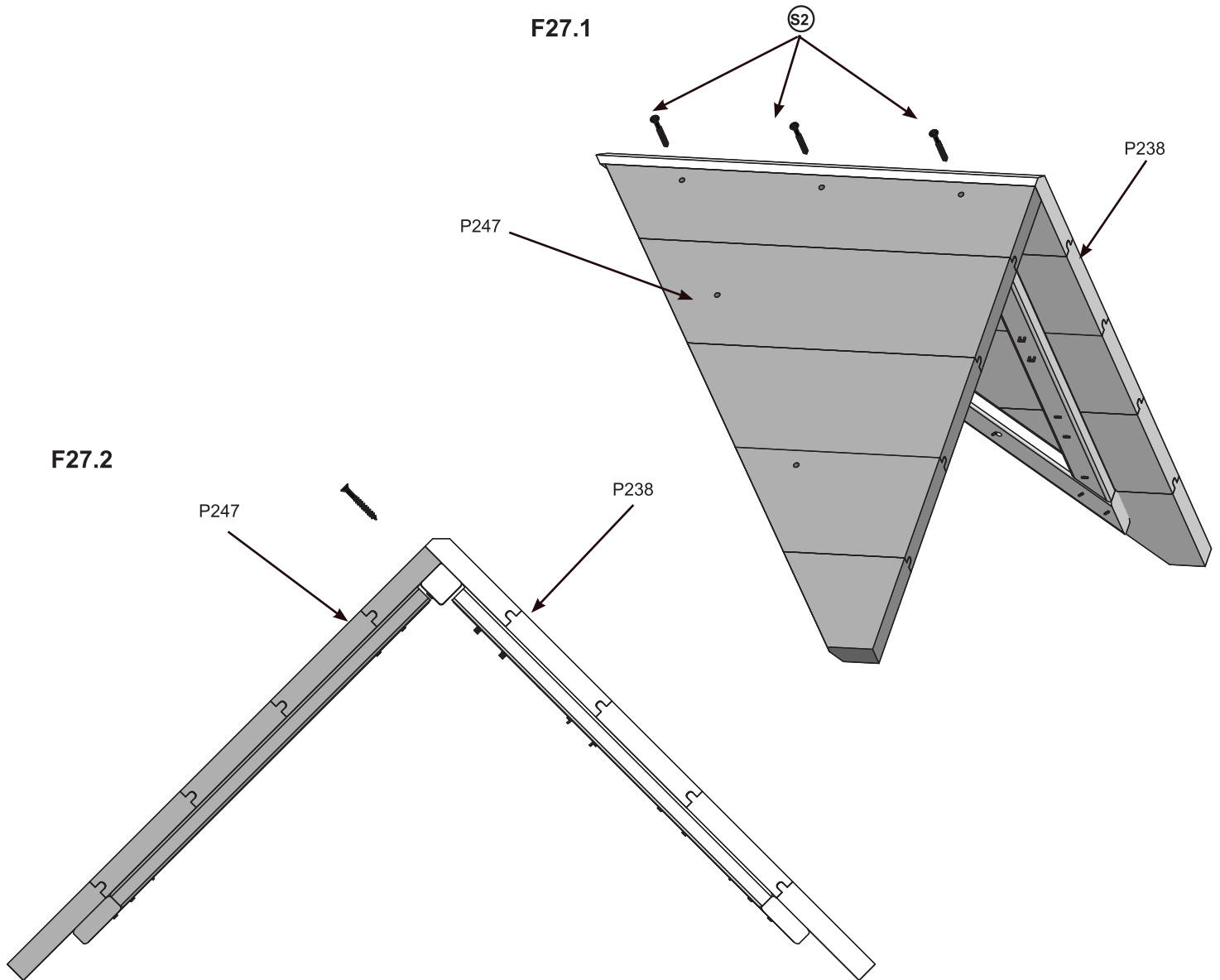
8 x (S15) #8 x 1-3/4" Wood Screw

12 x (S1) #8 x 1-1/8" Wood Screw

Step 27: Dormer Assembly

Part 1

A: Place (P238) and (P247) tight together with (P238) overlapping. Attach through (P247) with three S2. (F27.1 and F27.2)



Wood Parts

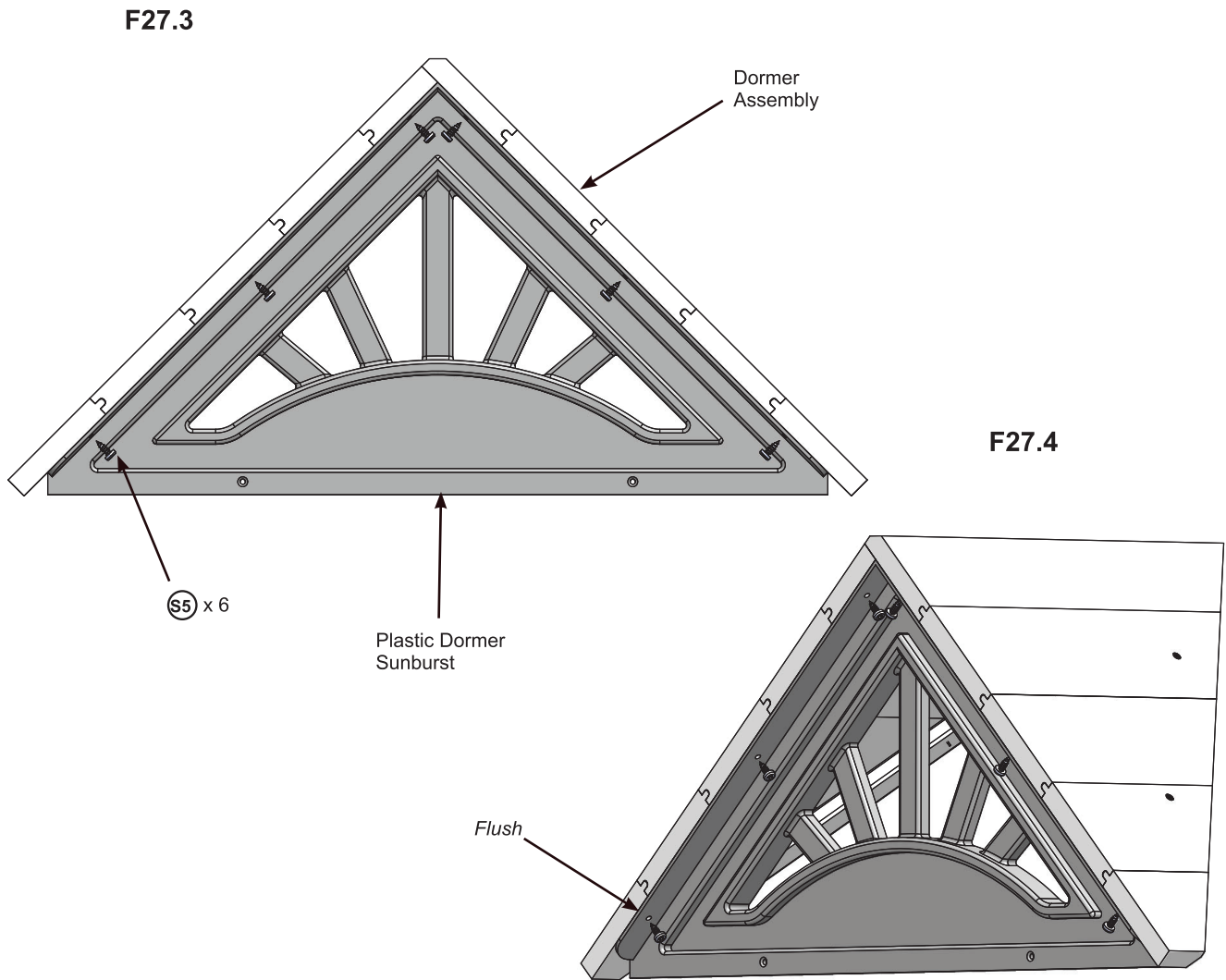
- 1 x (P238) Roof Dormer Right
- 1 x (P247) Roof Dormer Left

Hardware

- 3 x (S2) #8 x 1-1/2" Wood Screw

Step 27: Dormer Assembly Part 2

B: From outside the assembly, position the Plastic Dormer Sunburst so the lip is facing the outside and is flush to the edges of the Dormer Assembly. Attach using six S5. (F27.3 and F27.4)



Components:

1 x Plastic Dormer Sunburst

Hardware

6 x (S5) #8 x 1/2" Pan Screw

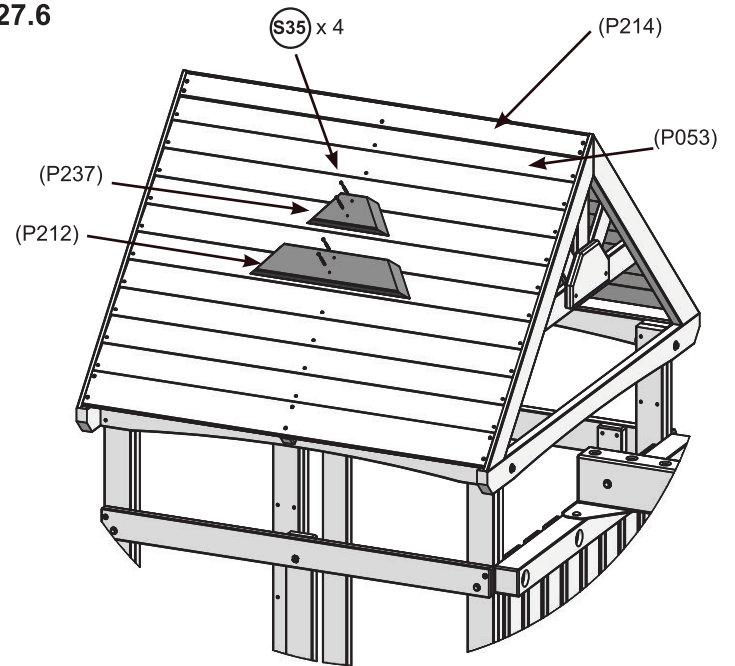
Step 27: Dormer Assembly Part 3



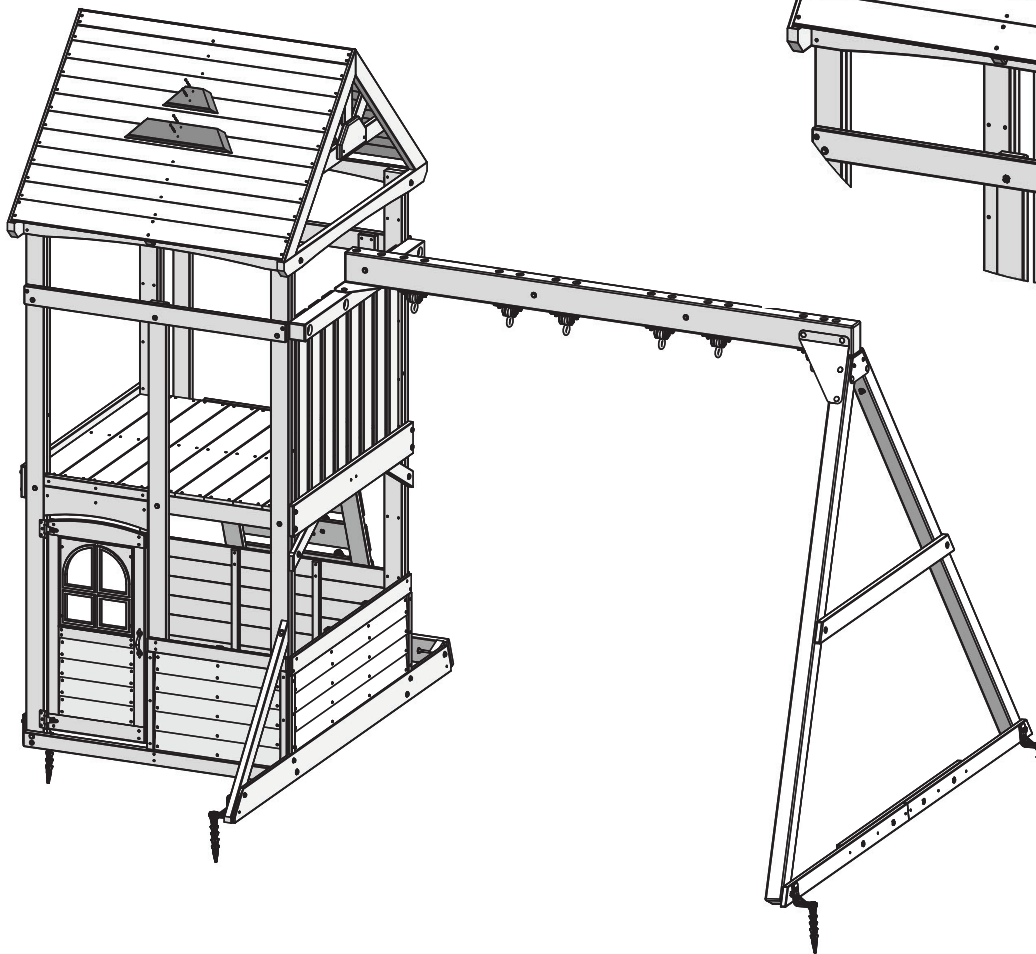
C: On the front side of the roof, center (P237) over the 4th (P053) from the top and attach with two S35. (F27.5 and F27.6)

D: Center (P212) over the 6th (P053) from the top and attach with two S35. (F27.5 and F27.6)

F27.6



F27.5



Wood Parts

- 1 x (P237) Dormer Block
- 1 x (P212) Dormer Block Long

Hardware

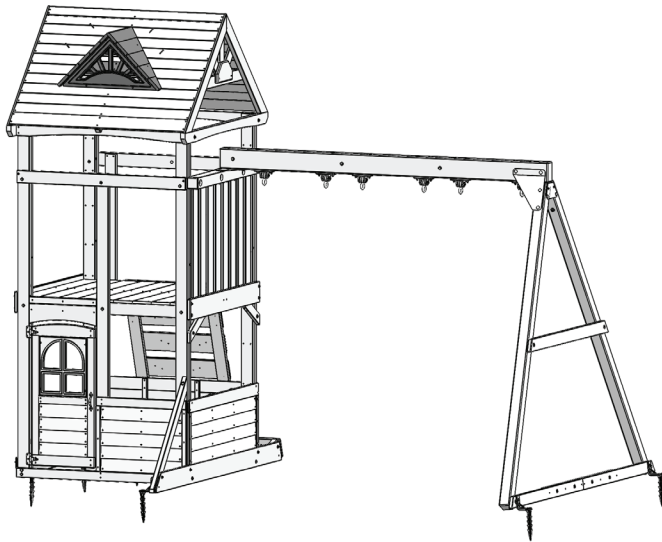
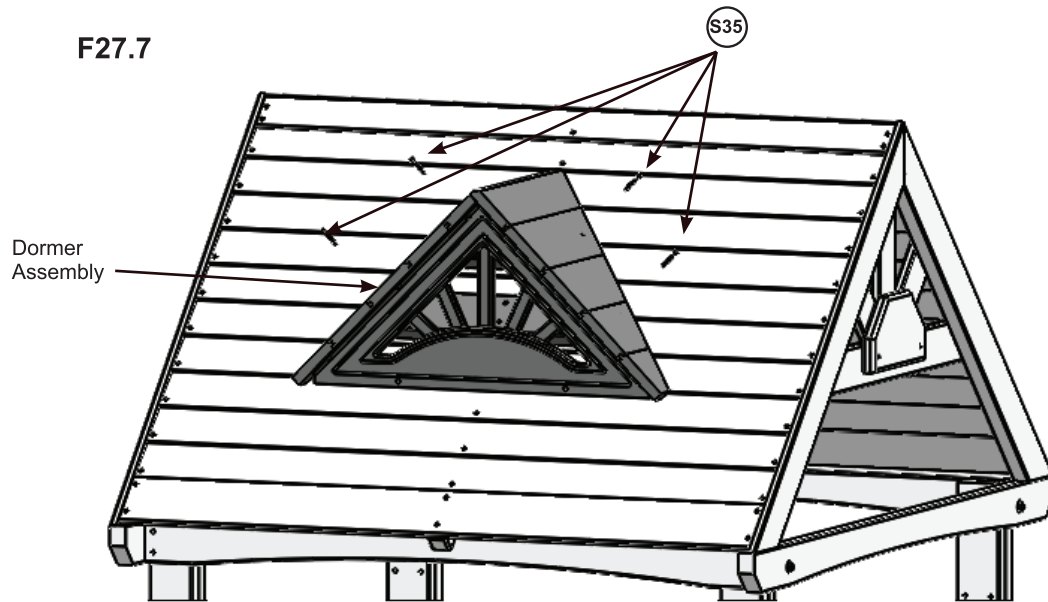
- 4 x (S35) #8 x 2-1/4" Wood Screw

Step 27: Dormer Assembly


Part 4



E: Place Dormer Assembly over (P237) and (P212) so it's tight to the roof and attach using four S35. (F27.7 and F27.8)



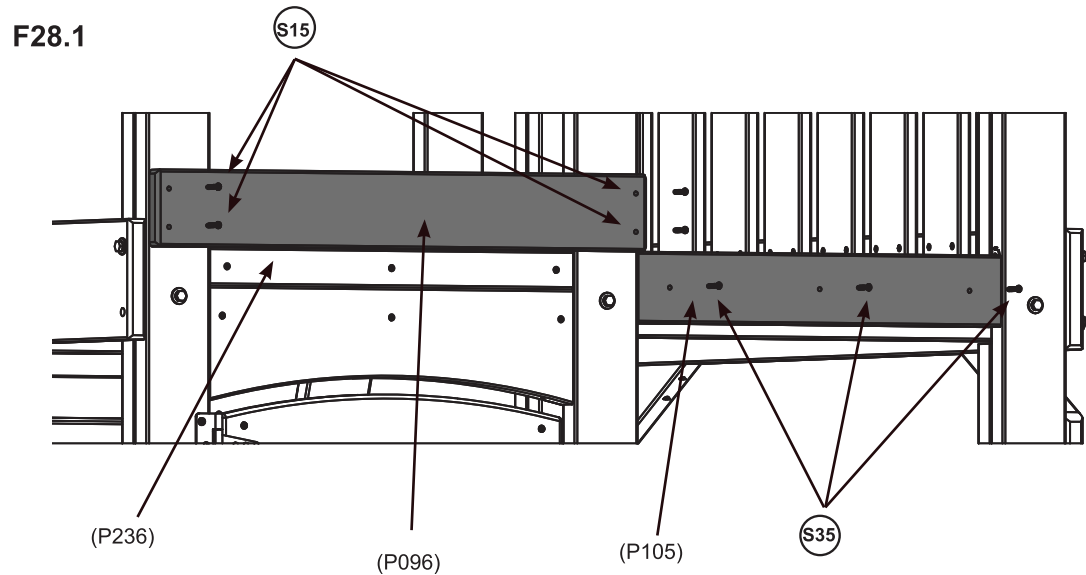
Hardware

4 x  #8 x 2-1/4" Wood Screw

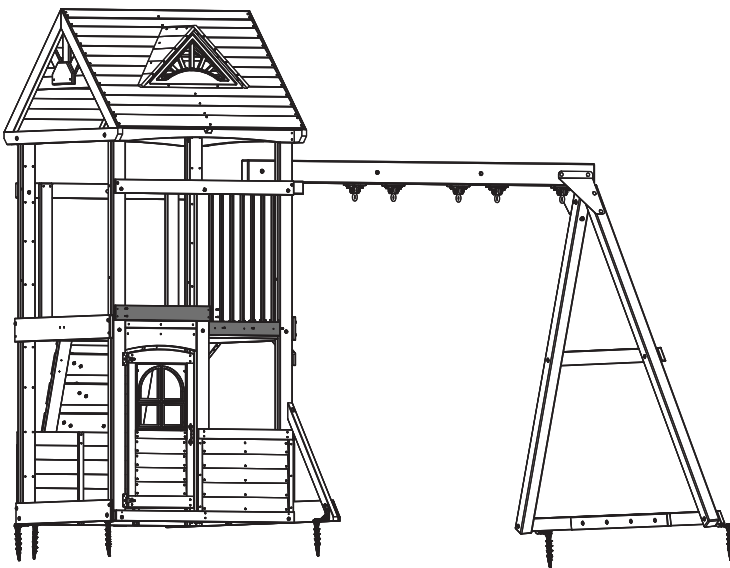
Step 28: Install Front Boards

A: From outside the assembly on the left side of the Front Wall, place a (P096) so the bottom of the board lines up with the top of (P236) and is flush to the frame on both ends. Attach with four S15. (F28.1 and F28.2)

B: On the right side of the Front Wall place (P105) so the top of the board lines up with the floor boards, then attach with three S35. (F28.1 and F28.2)



F28.2



Wood Parts

- 1 x (P096) Chalk Wall Board
- 1 x (P105) Slide Block

Hardware

- 3 x (S35) #8 x 2-1/4" Wood Screw
- 4 x (S15) #8 x 1-3/4" Wood Screw

Step 29: Chalk Wall Assembly

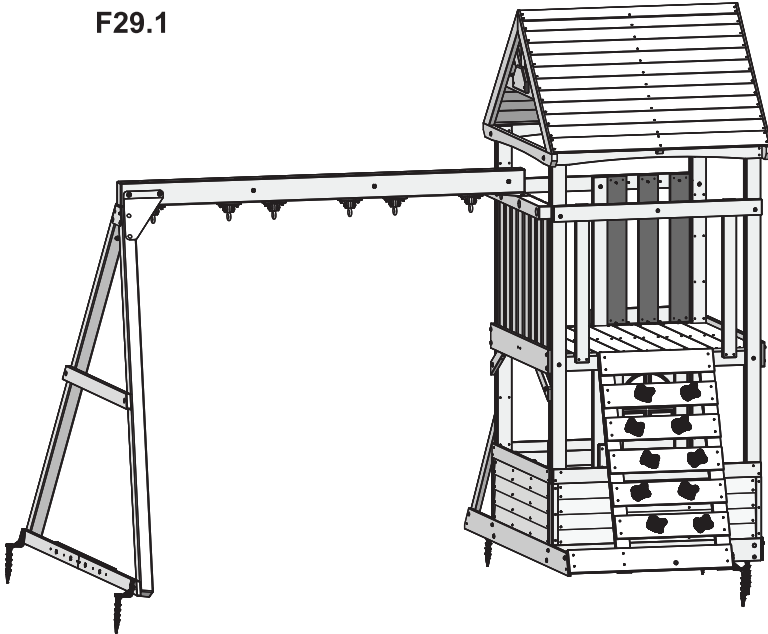


Part 1

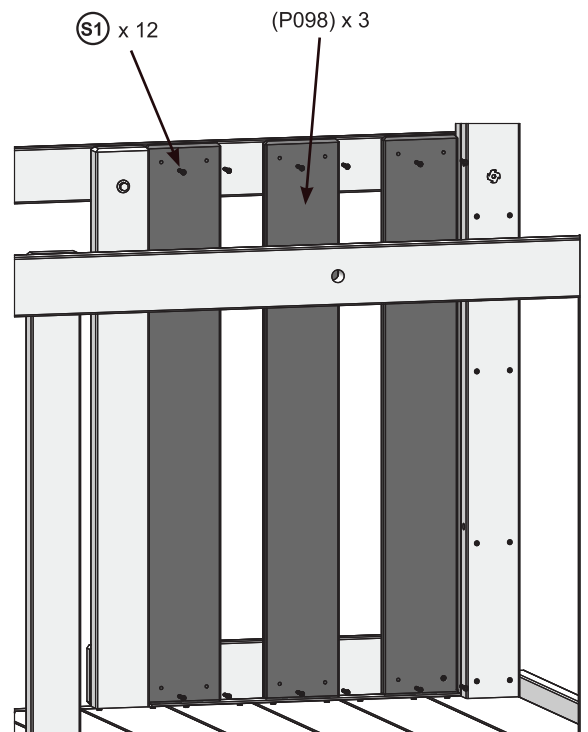
A: From inside the assembly, place one (P098) on each side of the chalk wall opening so they are tight to the frame. Attach using four S1 per board. (F29.1 and F29.2)

B: Place a third (P098) so it's evenly spaced between the first two and attach using four S1. (F29.1 and F29.2)

F29.1



F29.2



Wood Parts

3 x (P098) Mid Chalk Wall Upright

Hardware

12 x (S1) #8 x 1-1/8" Wood Screw

Step 29: Chalk Wall Assembly Part 2

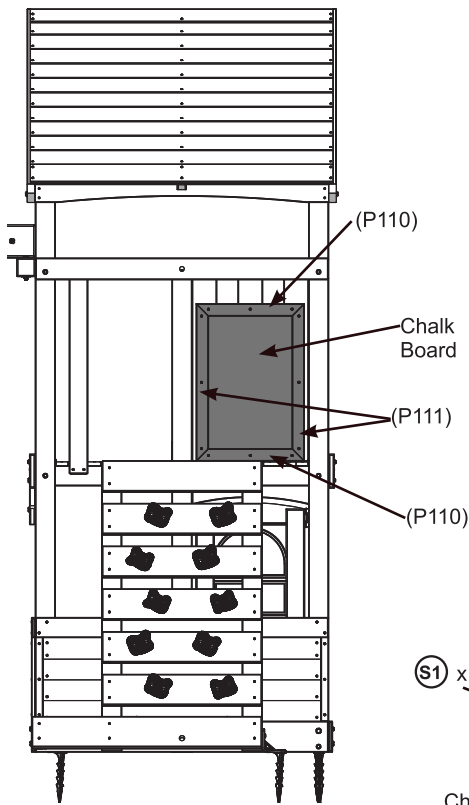
C: From inside the assembly, center one (P110) in the Chalk Wall opening so it's sitting on the (P007)'s, then attach with three S1. (F29.3 and F29.7)

D: Insert Chalk Board behind (P110) so it's centered and sitting on the cutout of the chalk frame. (F29.3, F29.4 and F29.7)

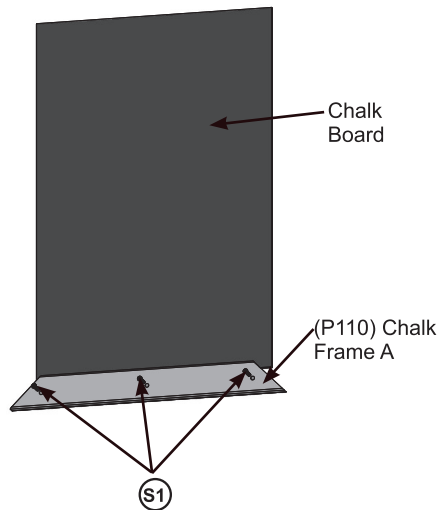
E: Checking that corners are flush, install a (P111) on each side of the Chalk Board with three S1. (F29.5 and F29.7)

F: Fit a (P110) over the top of the Chalk Board and attach using three S1. (F29.6 and F29.7)

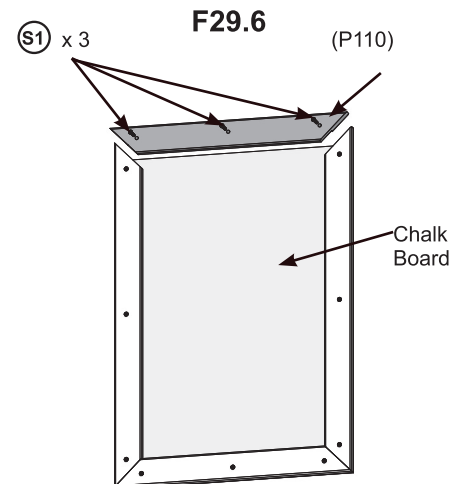
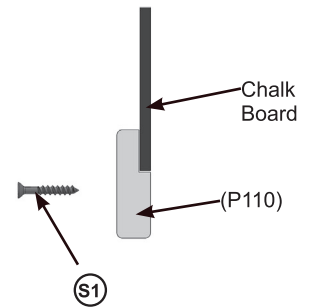
F29.7



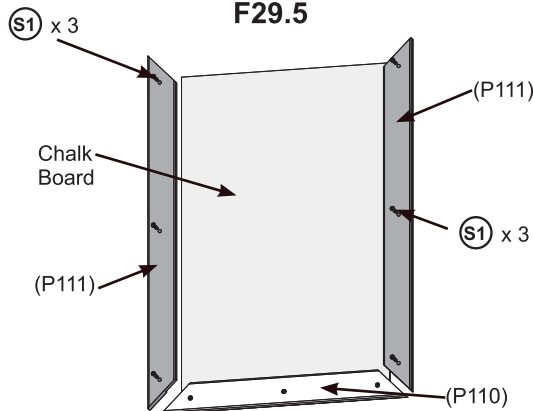
F29.3



F29.4



F29.5



Wood Parts

- 2 x (P110) Chalk Frame A
- 2 x (P111) Chalk Frame B

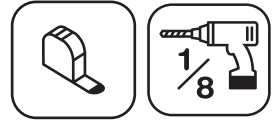
Components:

- 1 x Chalk Board

Hardware

- 12 x (S1) #8 x 1-1/8" Wood Screw

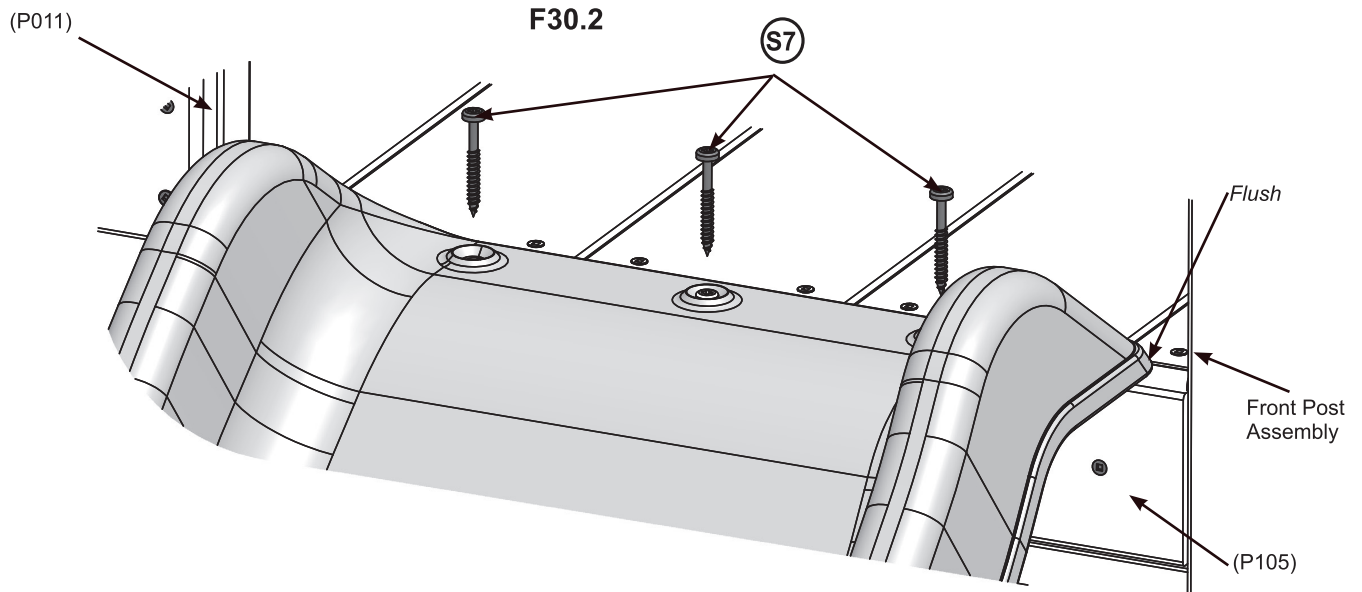
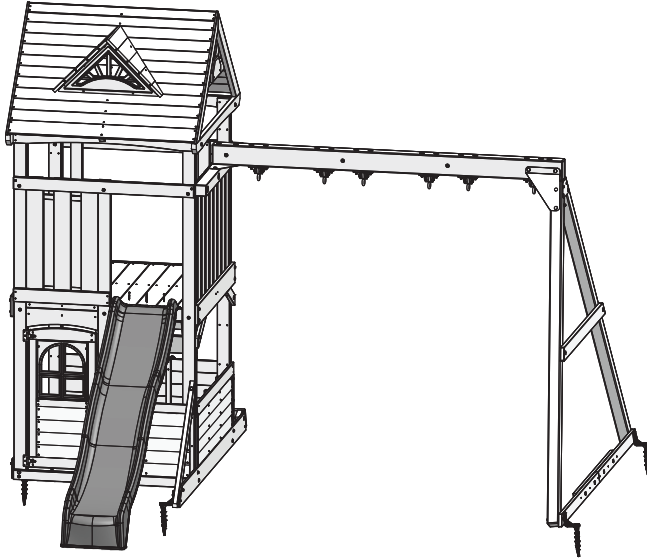
Step 30: Attach Wave Slide



Note: Pre-drill all pilot holes using a 1/8" drill bit before installing Pan Screws.

A: Place Wave Slide centered between Front Post Assembly and (P011) making sure the slides holes are centered over (P105). Pre-drill and attach using three S7. (F30.1 and F30.2)

F30.1



Components:

1 x Wave Slide

Hardware

3 x (S7) #12 x 2" Pan Screw

Step 31: Turbo Wall Assembly

Part 1

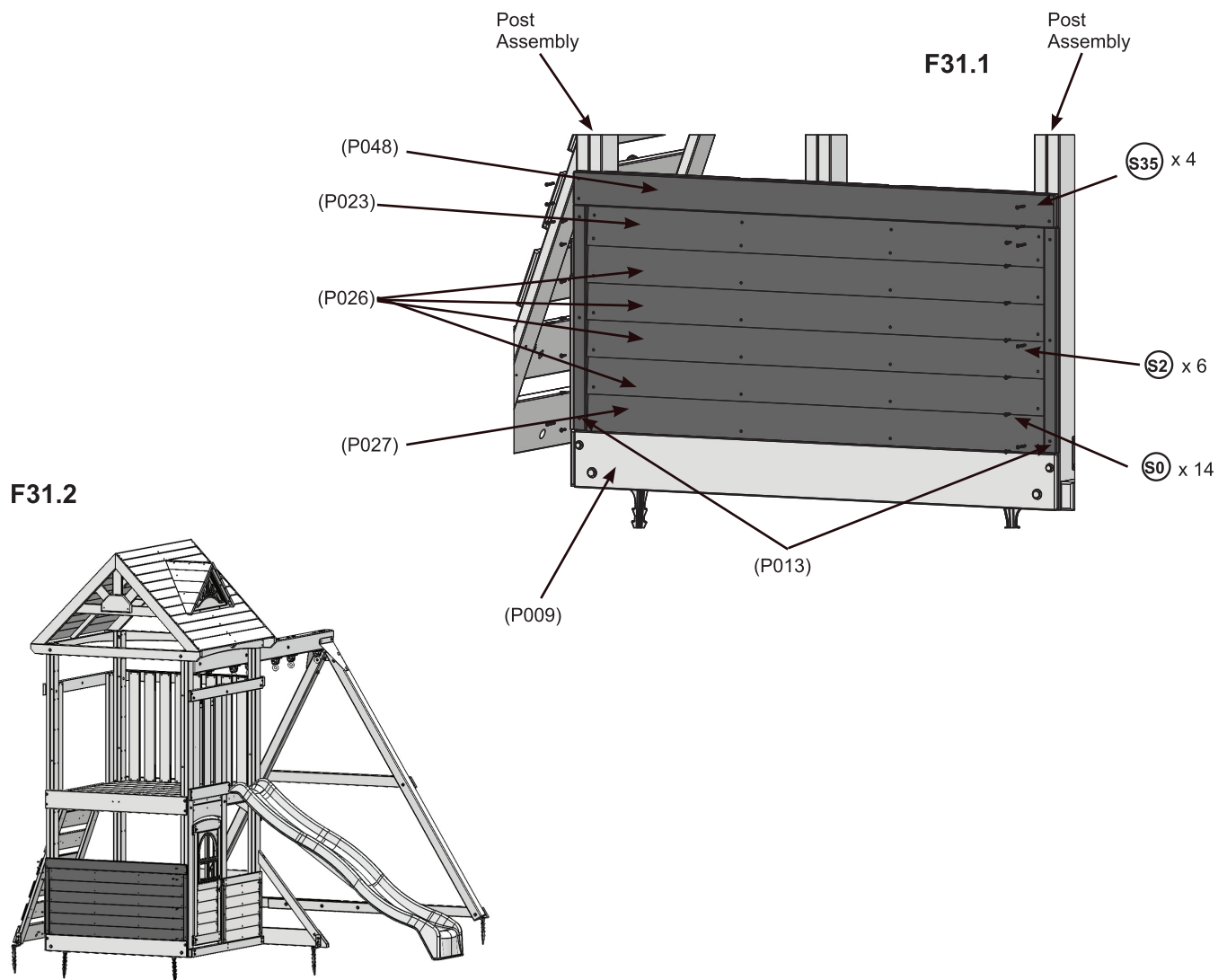
A: From outside the Turbo Wall Assembly, position two (P013)'s on (P009) so they're flush to the outside edges of each Post. Attach to the Post Assemblies using three S2 per side. (F31.1 and F31.2)

B: Place a (P048) across the top of both (P013)'s so the ends are flush and notches are facing in. Attach using four S35. (F31.1 and F31.2)

C: Place (P027) along the top of (P009) between the (P013)'s, taking note of hole orientation. Attach with two S0. (F31.1 and F31.2)

D: Fit (P023) between (P013)'s, making sure it's tight to (P048). Attach using four S0. (F31.1 and F31.2)

E: Place four (P026)'s into the open space, so the notches fit tight together. Attach with two S0 per board. (F31.1 and F31.2)



Wood Parts

- 1 x (P023) Top Siding
- 4 x (P026) Siding
- 1 x (P027) Bottom Siding
- 1 x (P048) SL Support
- 2 x (P013) Turbo Trim Wall

Hardware

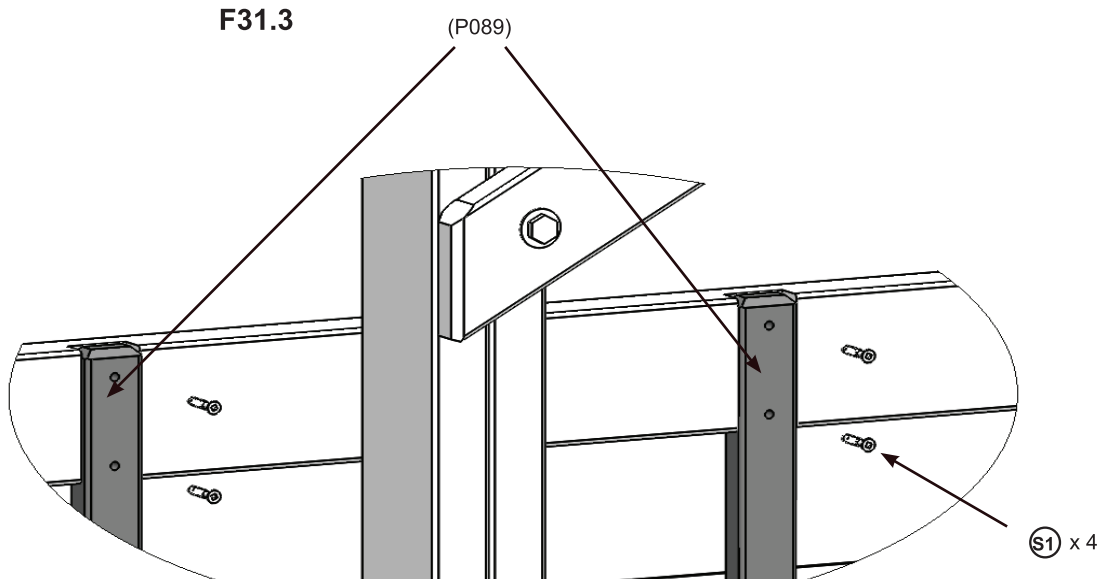
- 6 x (S2) #8 x 1-1/2" Wood Screw
- 4 x (S35) #8 x 2-1/4" Wood Screw
- 14 x (S0) #8 x 7/8" Truss Screw

Step 31: Turbo Wall Assembly

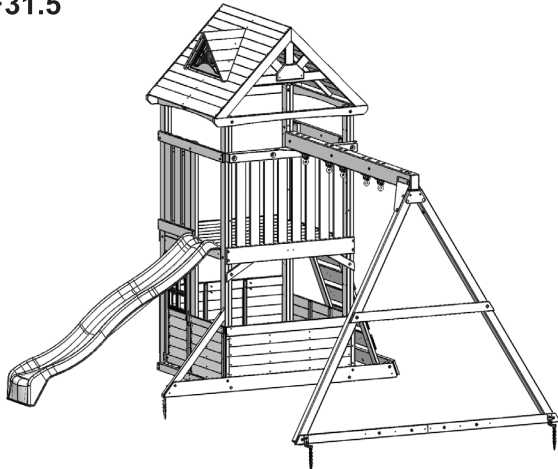
Part 2

F: From inside the assembly, center two (P089)'s over the pilot holes and notches in the Turbo Slide Wall and attach using four S1 per board. (F31.3 and F31.5)

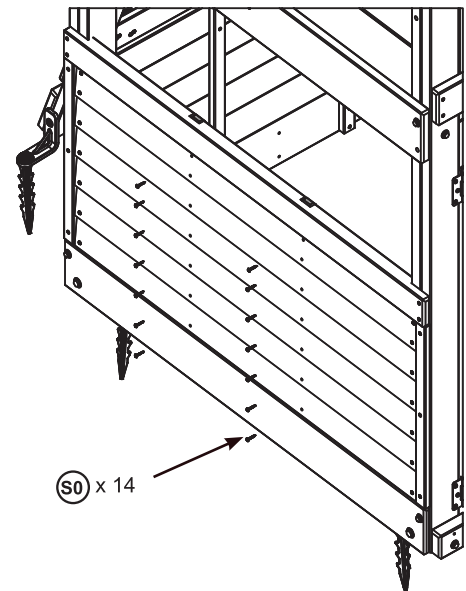
G: From outside the assembly attach (P026) to (P089)'s with 14 S0. (F31.4 and F31.5)



F31.5



F31.4



Wood Parts

2 x (P089) Long Upright

Hardware

8 x S1 #8 x 1-1/8" Wood Screw

14 x S0 #8 x 7/8" Truss Screw

Step 32: Turbo Slide Wall Assembly Part 1

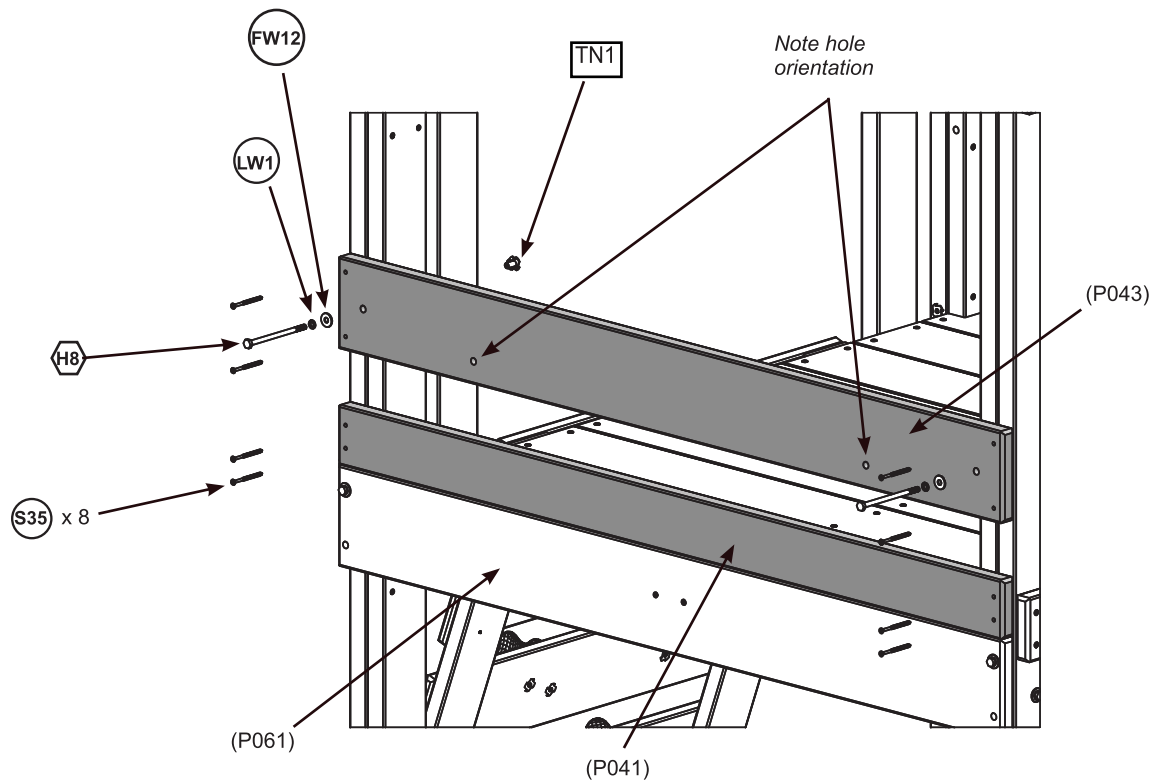
A: On the outside of the Turbo Wall, place (P041) tight to (P061) making sure the ends are flush. Attach using four S35. (F32.1 and F32.2)

B: Taking note of hole orientation, attach (P043) in the holes above (P041) using two H8 (with LW1, FW12, TN1) and four S35. (F32.1 and F32.2)

F32.1



F32.2



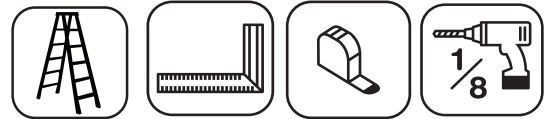
Wood Parts

- 1 x (P041) Turbo Bottom
- 1 x (P043) Turbo SL Bottom

Hardware

- 2 x FW12 5/16" Large Washer
- 2 x H8 1/4 x 4-1/4" Hex Bolt
- 2 x TN1 T-Nut 1/4"
- 2 x LW1 1/4" Lock Washer
- 8 x S35 #8 x 2-1/4" Wood Screw

Step 32: Turbo Slide Wall Assembly Part 2



Note: Pre-drill all pilot holes using a 1/8" drill bit before installing Lag Screws.

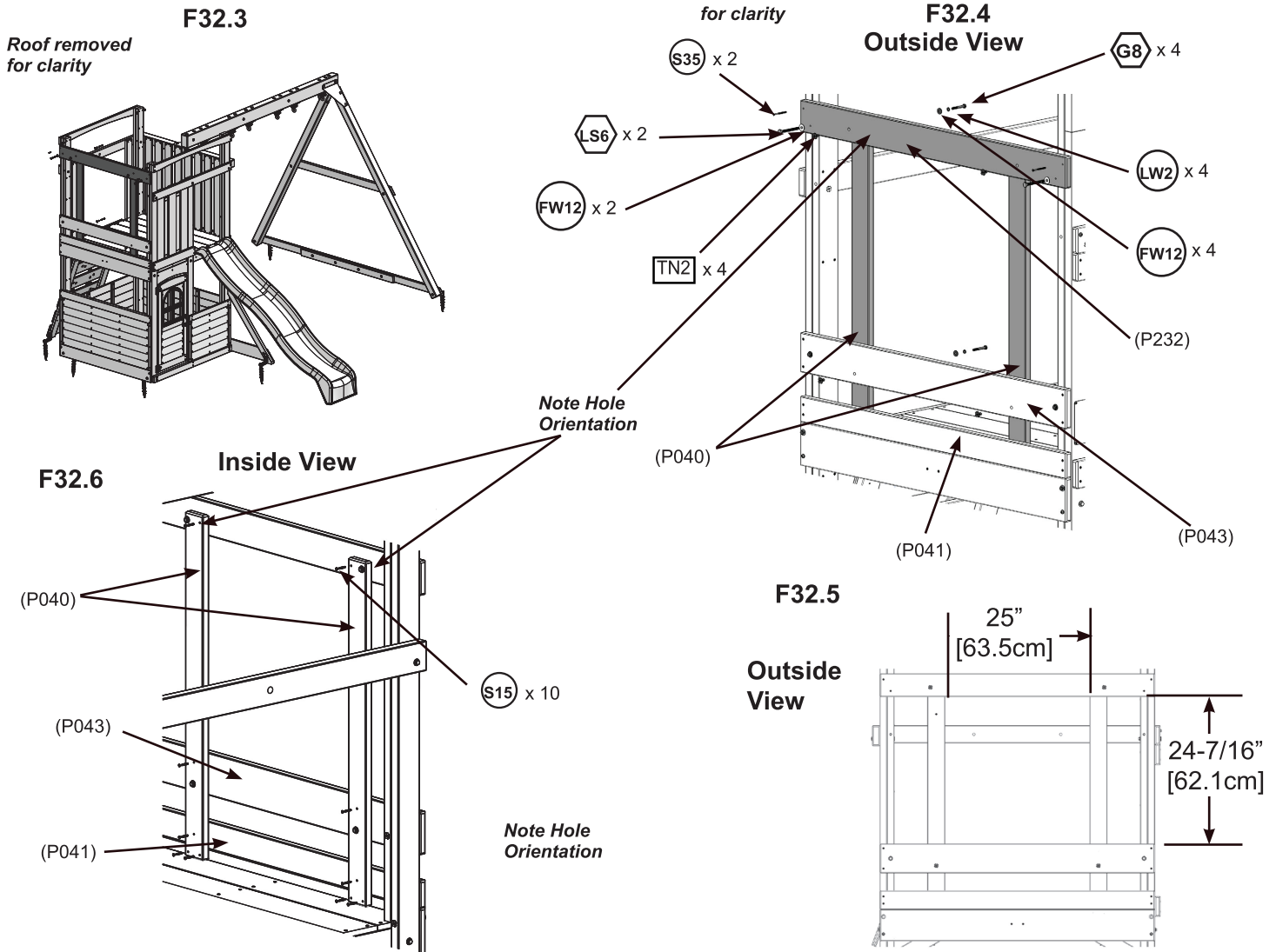
C: From inside the assembly, place two (P040)'s so the lower bolt holes line up with (P043) and the top bolt holes are facing the outside. Loosely attach with two G8 (with LW2, FW12, TN2). (F32.3 and F32.4)

D: From outside the assembly, loosely attach (P232) to (P040)'s as shown in figure F32.4 using two G8 (with LW2, FW12, TN2) making sure the smaller hole is at the top. (F32.3 and F32.4)

E: Check that wall assembly is square and the opening measures to F32.5, then tighten all bolts.

F: Attach (P232) to Front and Back Post Assemblies using two S35 and two LS6 (with FW12). (F32.3, F32.4 and F32.5)

G: Attach (P040) to (P232), (P043) and (P041) using five S15 per Turbo Upright. (F32.3, F32.5 and F32.6)



Wood Parts

- 2 x (P040) Turbo Upright
- 1 x (P232) Turbo Slide Top

Hardware

- 4 x G8 5/16 x 2" Hex Bolt
- 2 x LS6 5/16 x 3" Lag Screw
- 2 x S35 #8 x 2-1/4" Wood Screw
- 10 x S15 #8 x 1-3/4" Wood Screw
- 6 x FW12 5/16" Large Washer
- 4 x TN2 5/16" T-Nut
- 4 x LW2 5/16" Lock Washer

Step 32: Turbo Slide Wall Assembly Part 3

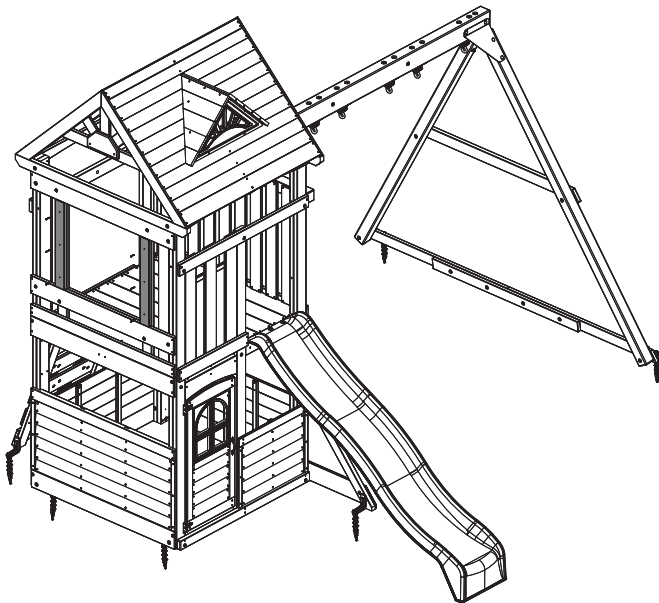


H: From outside the assembly attach (P234) to (P040) using three S15 per board. (F32.7 and F32.8)

I: From inside the assembly attach one (P021) flush to the bottom of (P232) and a second (P021) flush to the top of the (P043) using three S15 per board. (F32.7 and F32.9)

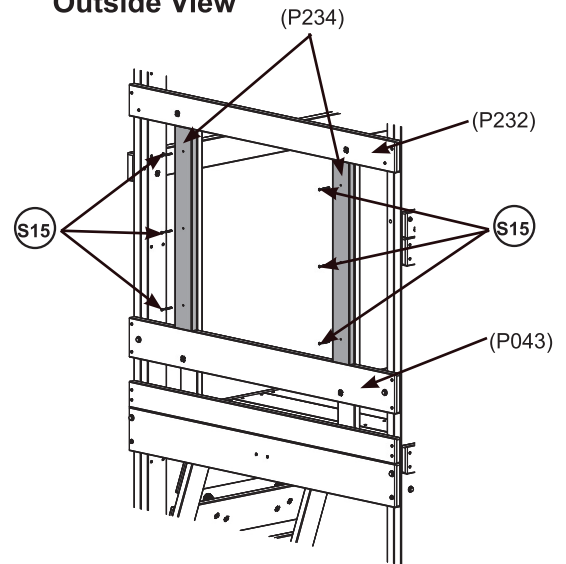
J: From inside the assembly place one (P209) on each side of the wall opening, tight to the Post Assemblies. Attach using five S1 per board. (F32.7 and F32.10)

F32.7



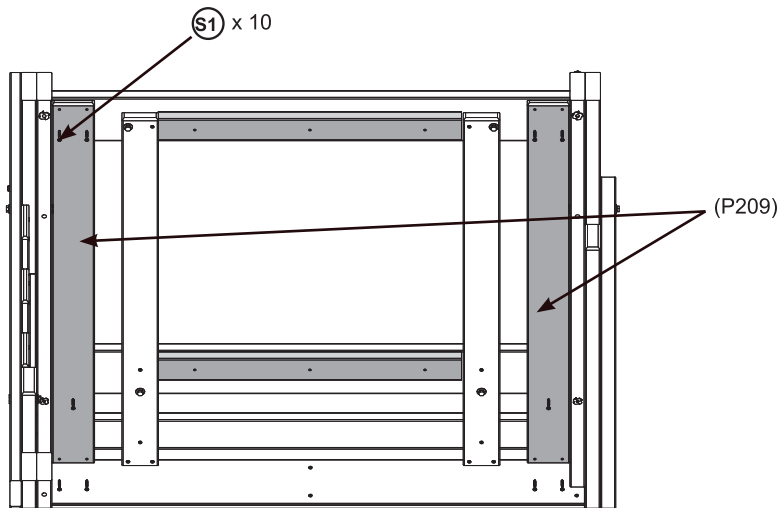
F32.8

Outside View

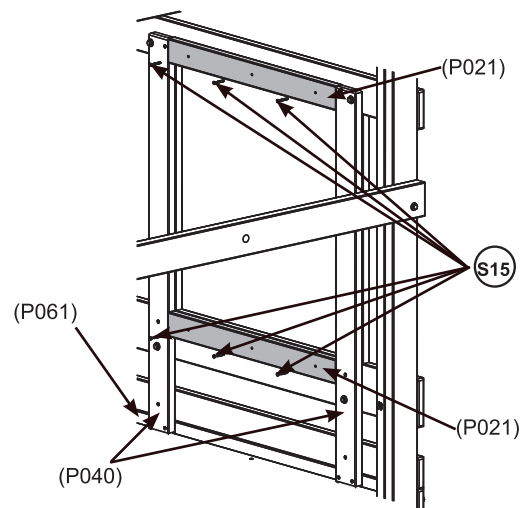


F32.10

Inside View



F32.9



Wood Parts

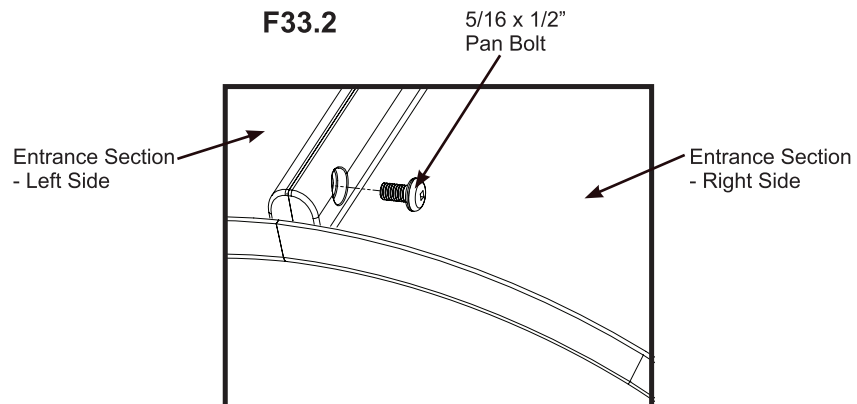
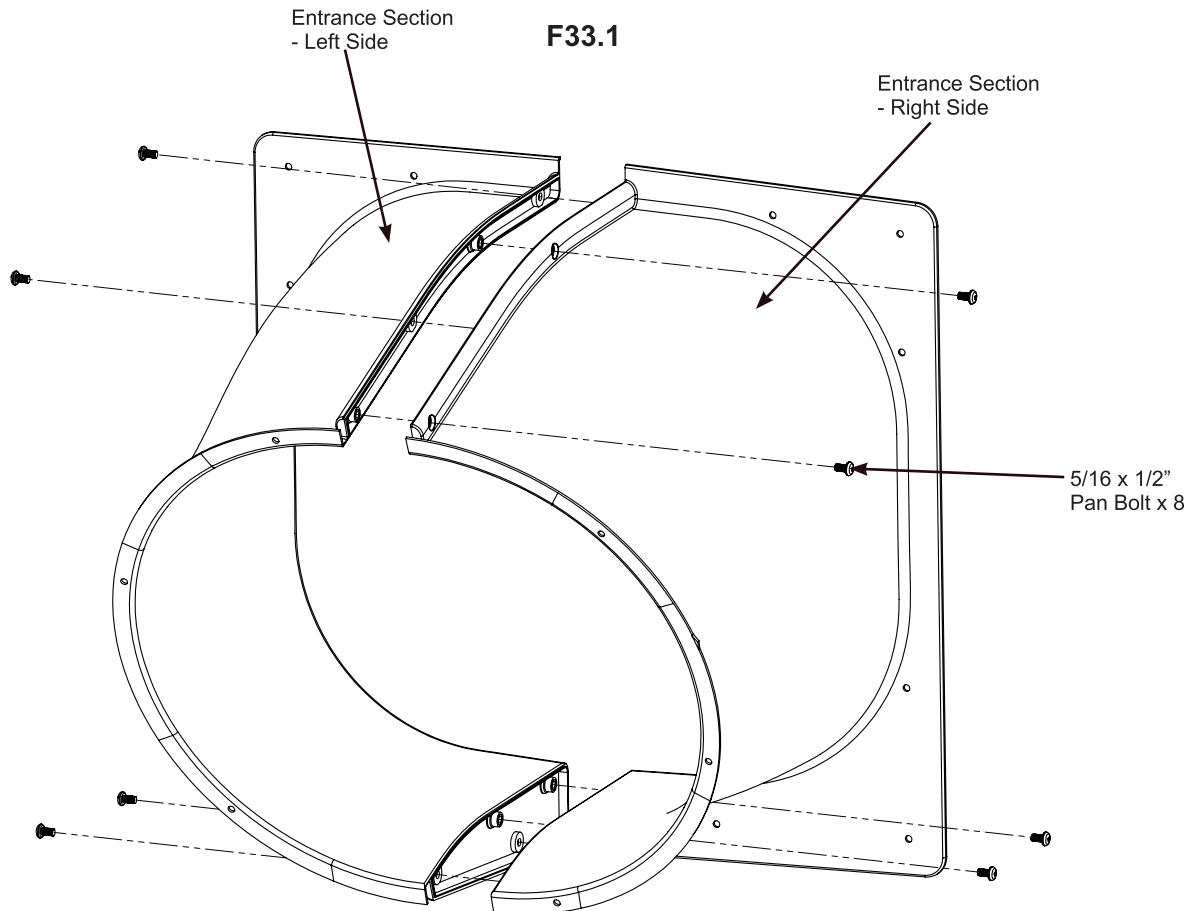
- 2 x (P021) Turbo Spacer
- 2 x (P234) Turbo Slide Filler
- 2 x (P209) Turbo Wall Board

Hardware

- 12 x (S15) #8 x 1-3/4" Wood Screw
- 10 x (S1) #8 x 1-1/8" Wood Screw

Step 33: Turbo Slide Assembly Part 1

A: Fasten Entrance Section - Right Side and Entrance Section - Left Side together with eight 5/16 x 1/2" Pan Bolts. (F33.1 and F33.2)



Components:

1 x Entrance Section - Right Side
1 x Entrance Section - Left Side

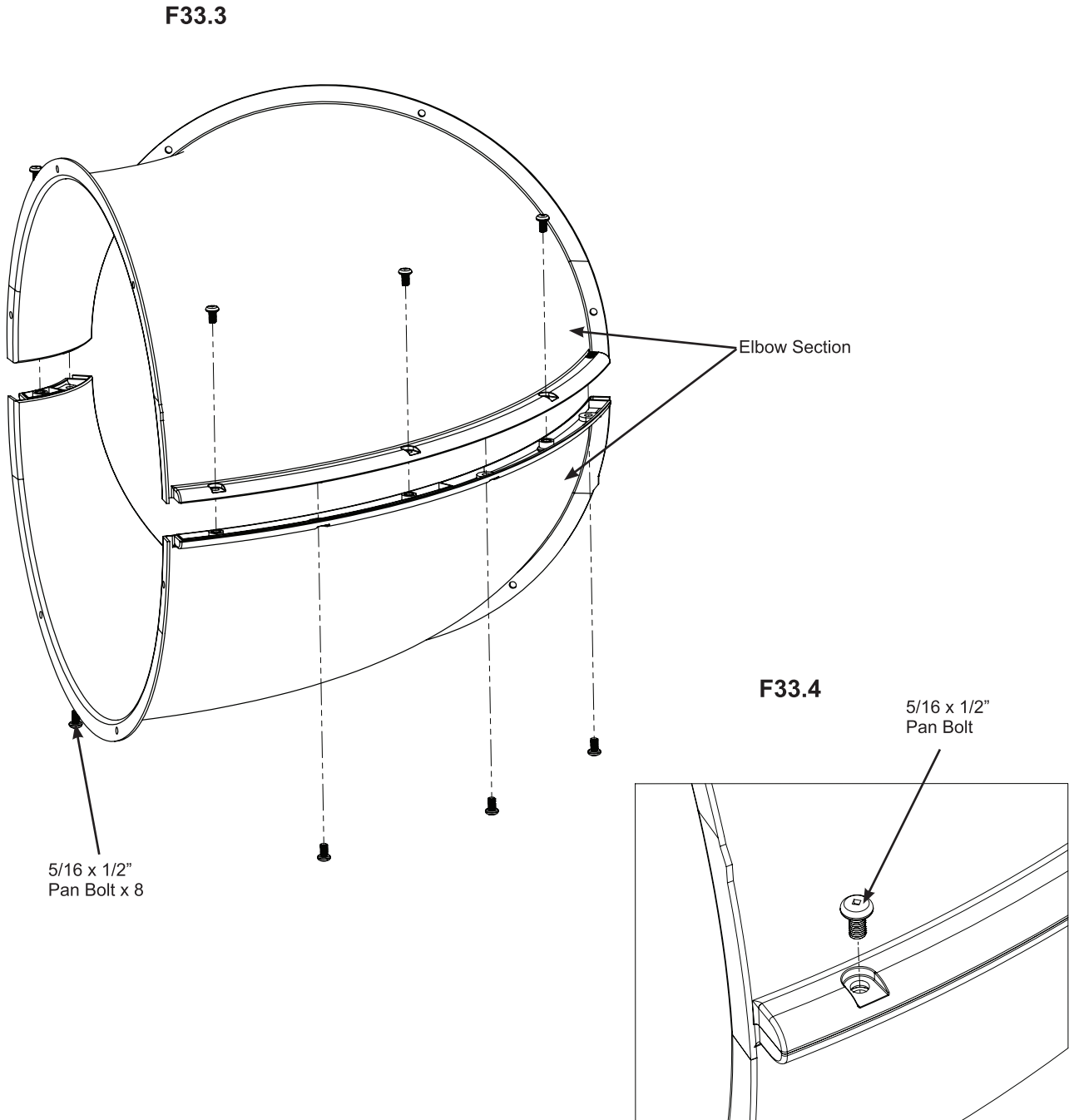
Hardware

8 x 5/16 x 1/2" Pan Bolt

Step 33: Turbo Slide Assembly Part 2

B: Fasten two Elbow Sections together with eight 5/16 x 1/2" Pan Bolts. (F33.3 and F33.4)

C: Repeat Step B two more times to create 3 Elbow Section Assemblies.



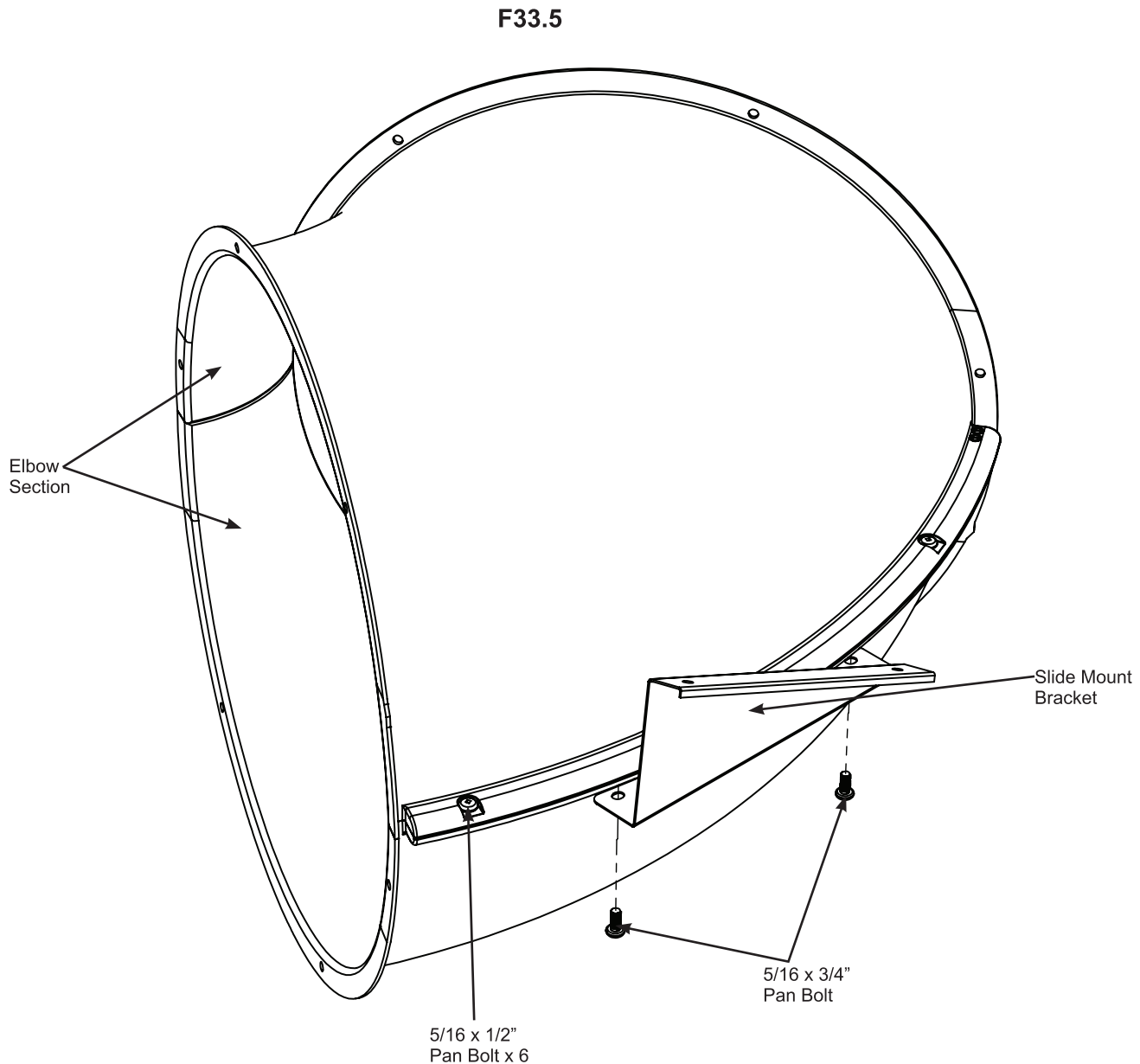
Components:
6 x Elbow Section

Hardware
24 x 5/16 x 1/2" Pan Bolt

Step 33: Turbo Slide Assembly Part 3

D: Fasten Elbow Sections together with six 5/16" x 1/2" Pan Head bolts. (F33.5)

E: Fasten Slide Mount Bracket to Elbow with two 5/16" x 3/4" Pan Head Bolts. (F33.5)



Components:

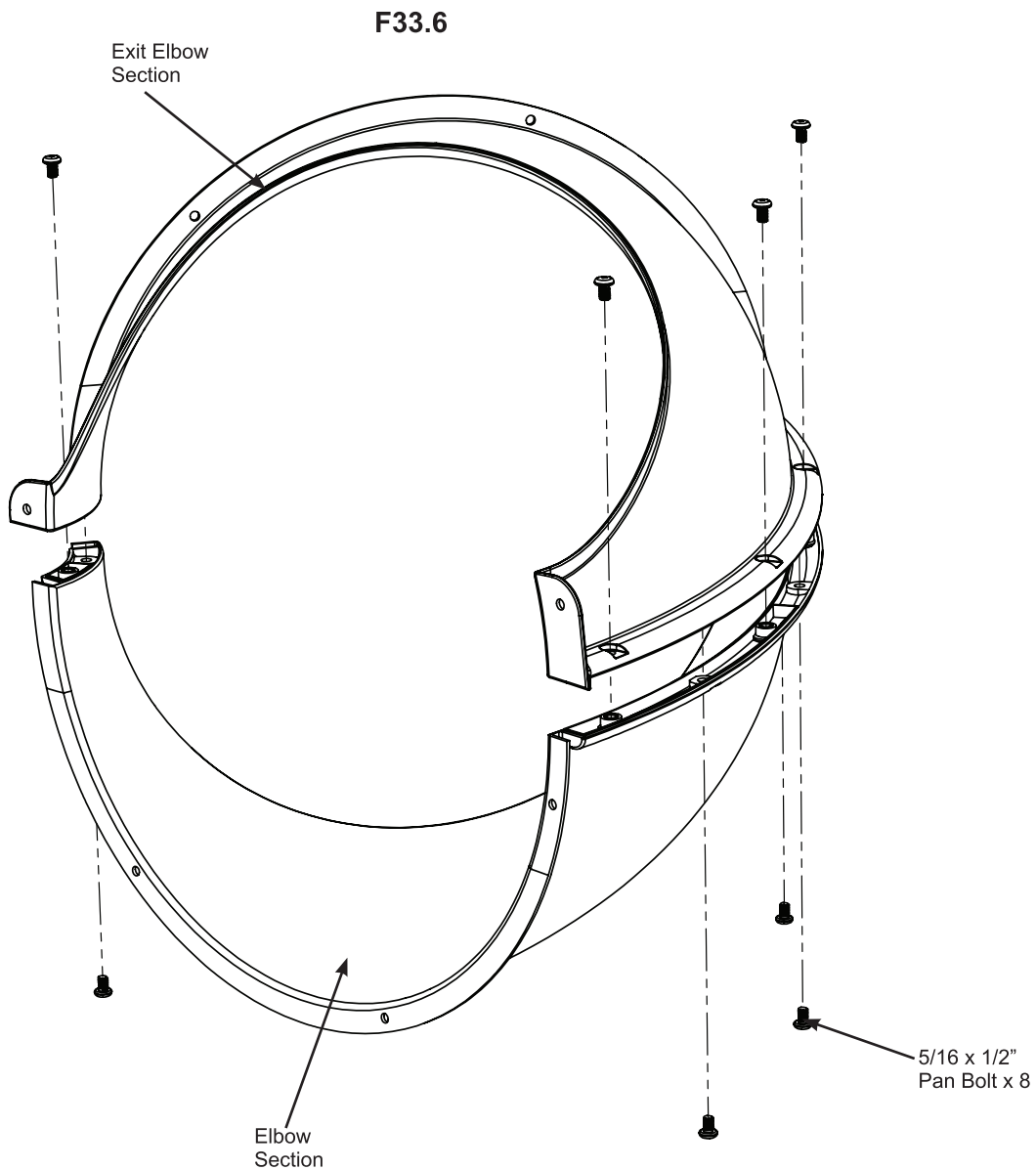
2 x Elbow Section
1 x Slide Mount Bracket

Hardware

6 x 5/16 x 1/2" Pan Bolt
2 x 5/16 x 3/4" Pan Bolt

Step 33: Turbo Slide Assembly Part 4

F: Fasten Elbow Section and Exit Elbow Section together with eight 5/16 x 1/2" Pan Bolts. (F33.6)



Components:

1 x Elbow Section
1 x Exit Elbow Section

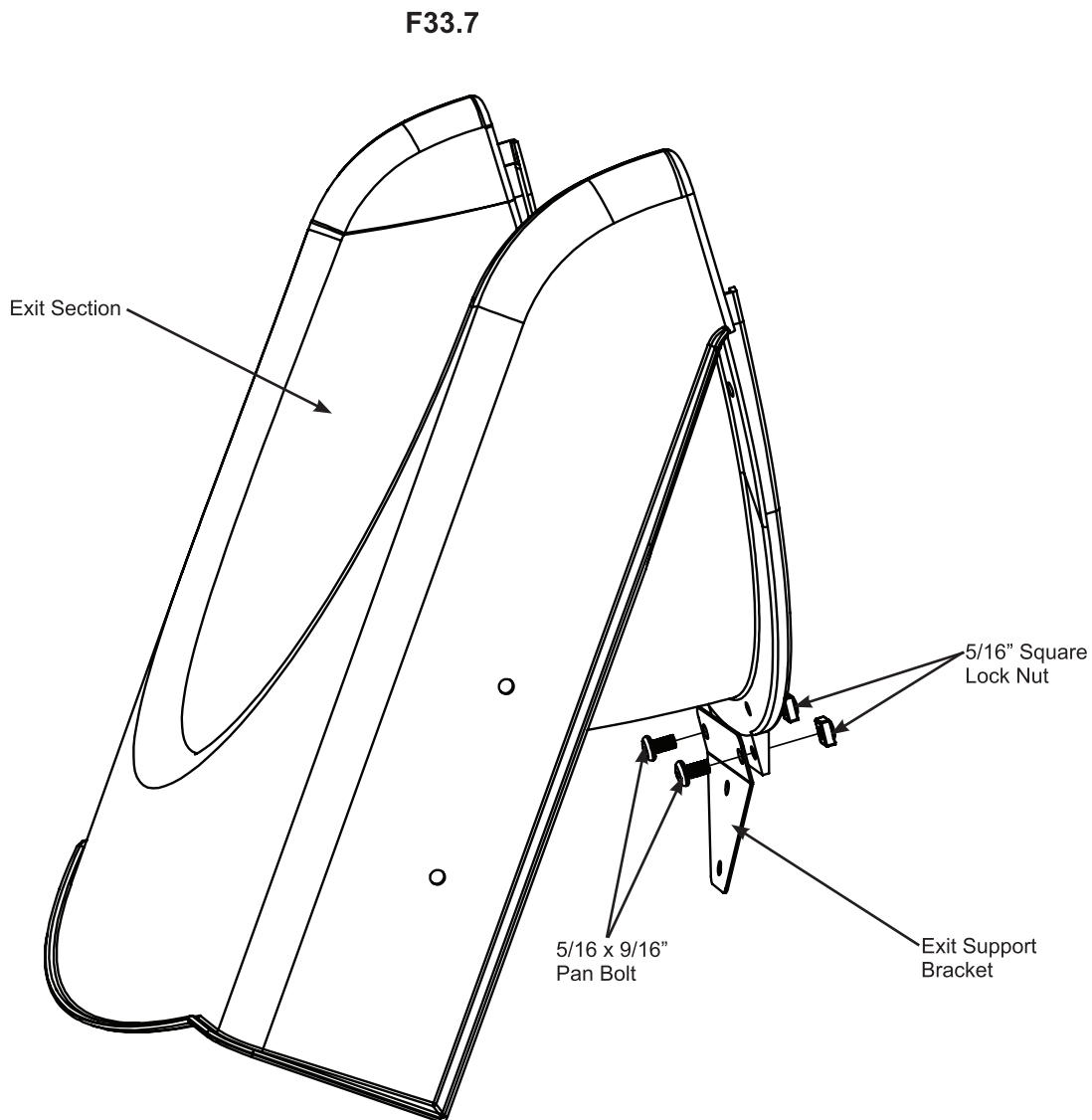
Hardware

8 x 5/16 x 1/2" Pan Bolt

Step 33: Turbo Slide Assembly

Part 5

G: Fasten the tab on the bottom of the Exit Section to the Exit Support Bracket with two 5/16 x 9/16" Pan Bolts (with 5/16" Square Lock Nut). (F33.7)



Components:

1 x Exit Section
1 x Exit Support Bracket

Hardware

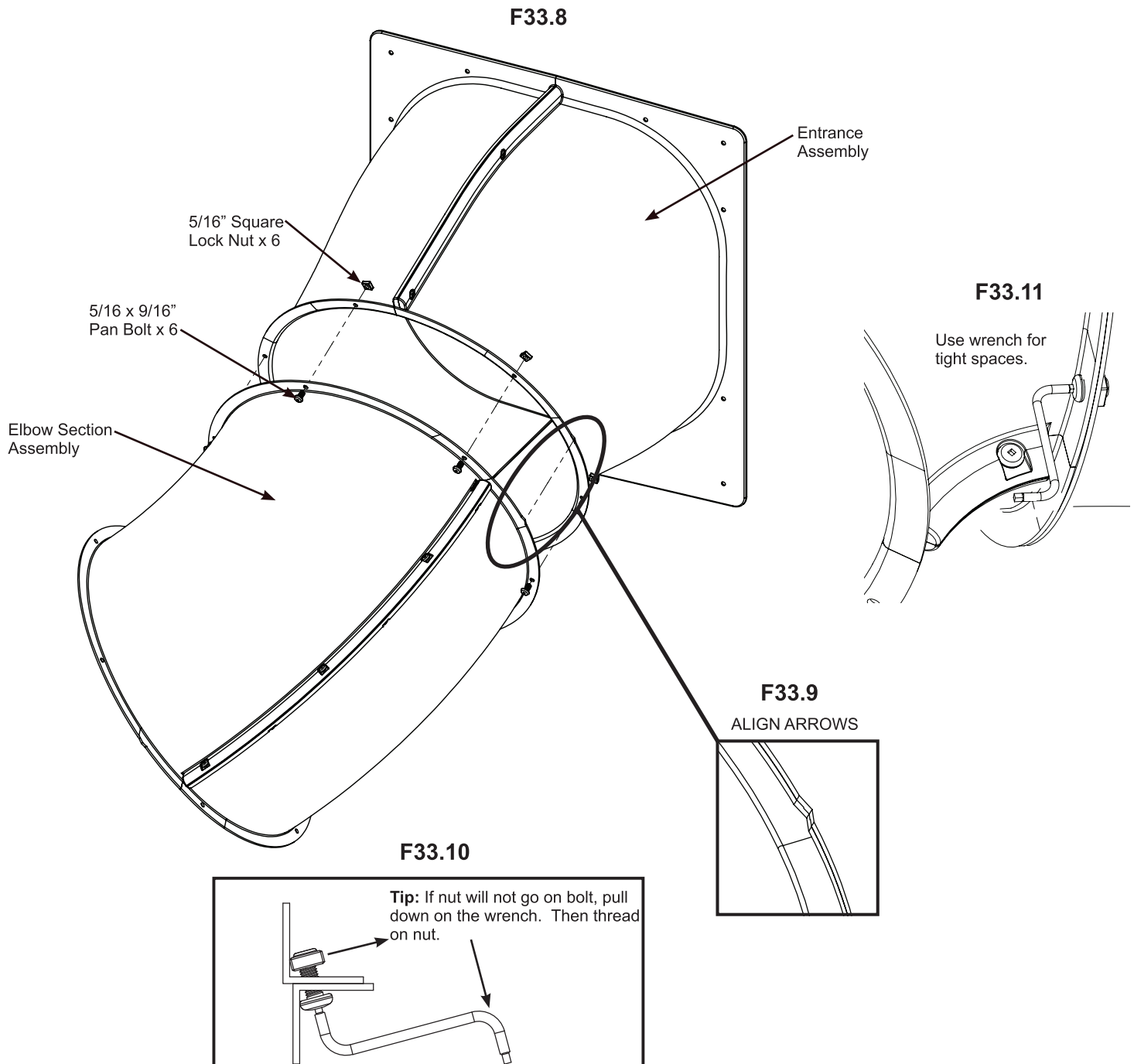
2 x 5/16 x 9/16" Pan Bolt (with 5/16" square lock nut)

Step 33: Turbo Slide Assembly Part 6

H: Fasten the Entrance Assembly to the Elbow Section Assembly with six 5/16 x 9/16 Pan Bolts (with 5/16" Square Lock Nut) (F33.8, F33.9, F33.10 and F33.11)

Tip: Hold the bolt with the wrench provided. Use a 5/8" wrench to tighten nut.

Note: Align Arrows

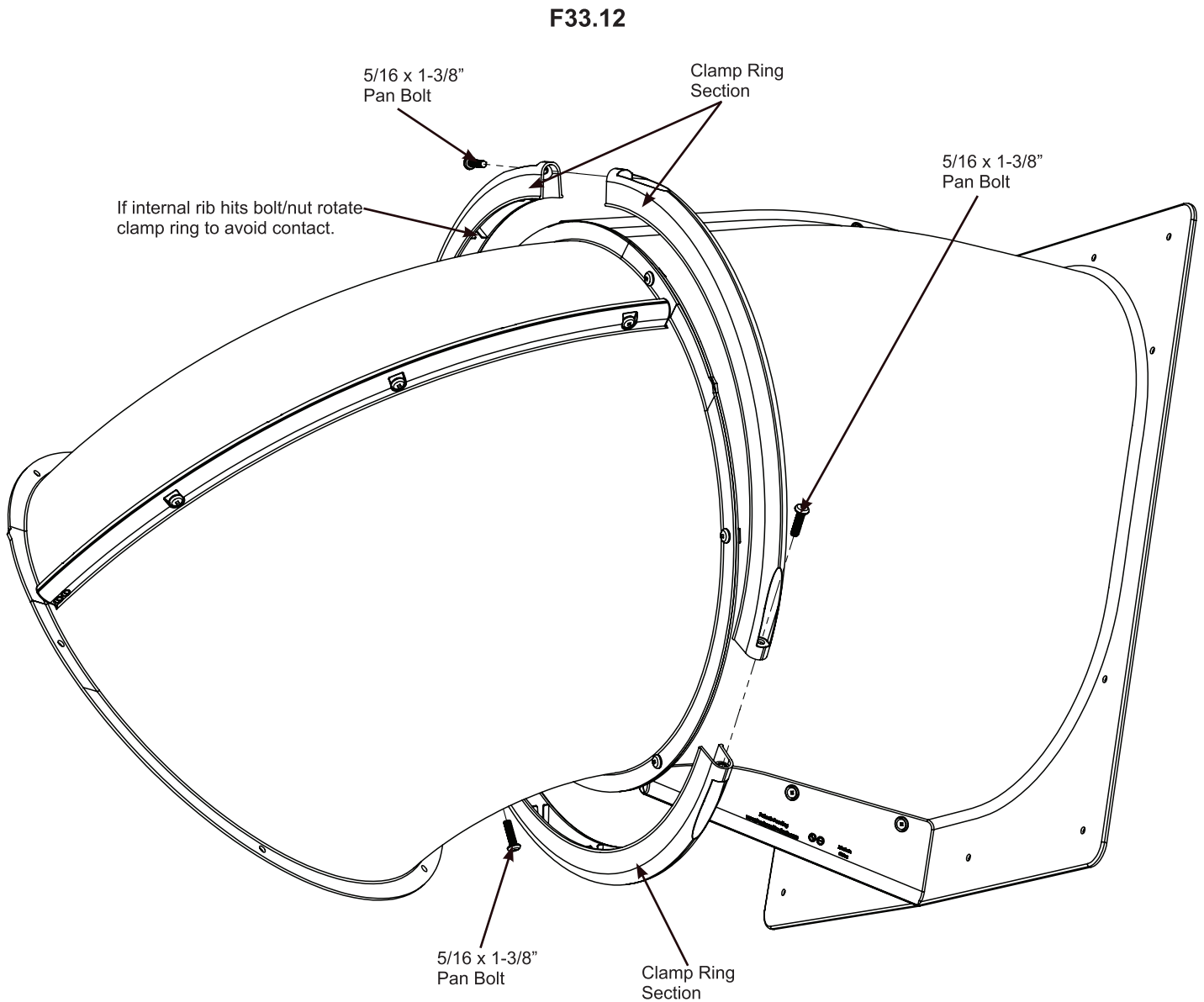


Hardware

6 x 5/16 x 9/16" Pan Bolt (with 5/16" square lock nut)

Step 33: Turbo Slide Assembly Part 7

I: Fasten three Clamp Ring sections together over the intersection with three 5/16 x 1-3/8 Pan Bolts. Partially thread each bolt into the next Clamp Ring. When all bolts are partially installed, tighten all bolts. (F33.12)



Components:

3 x Clamp Ring Section

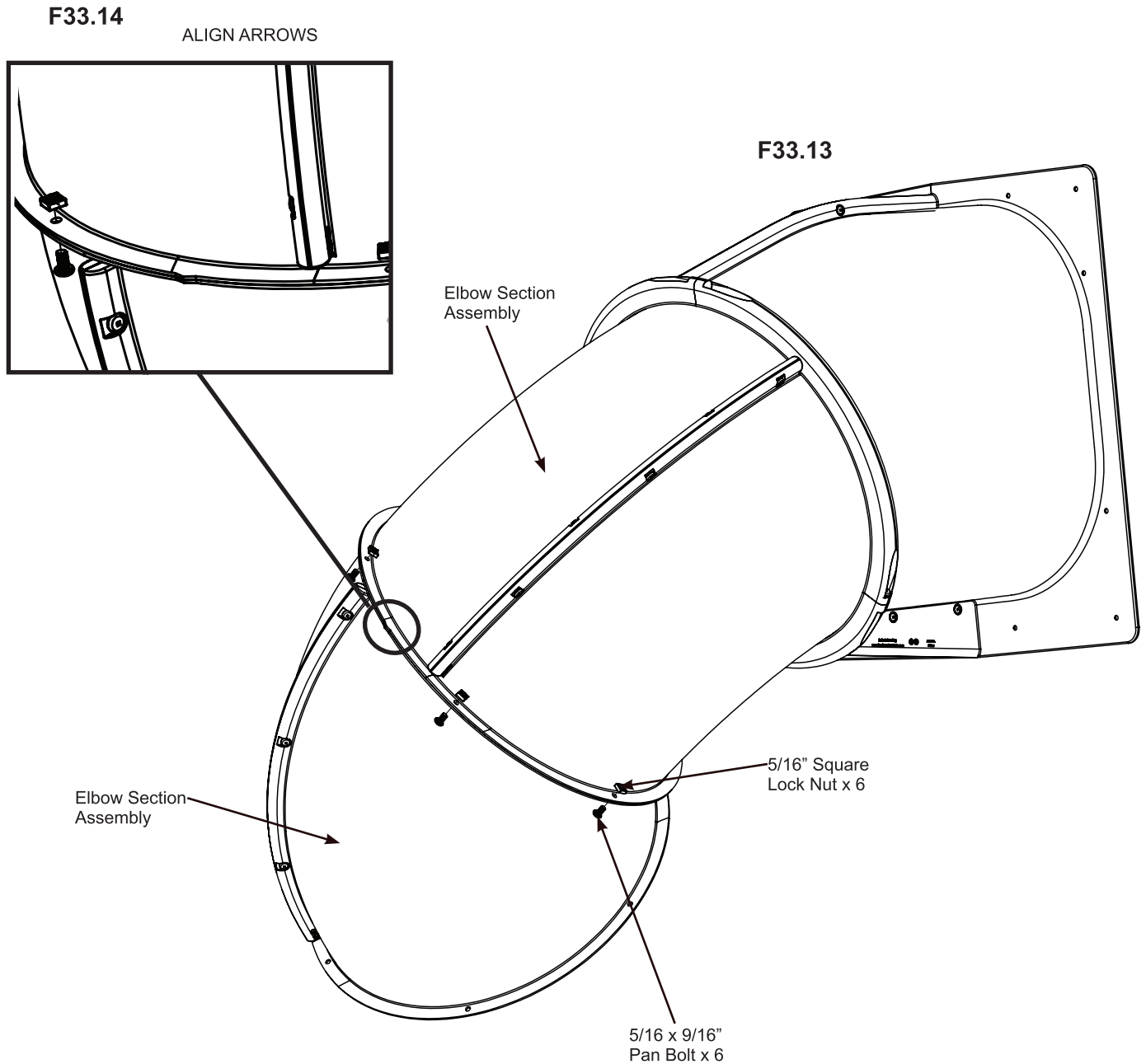
Hardware

3 x 5/16 x 1-3/8" Pan Bolt

Step 33: Turbo Slide Assembly Part 8

J: Fasten the Elbow Section Assemblies together with six 5/16 x 9/16" Pan Bolts (with 5/16" Square Lock Nut). (F33.13 and F33.14)

Note: Align Arrows.

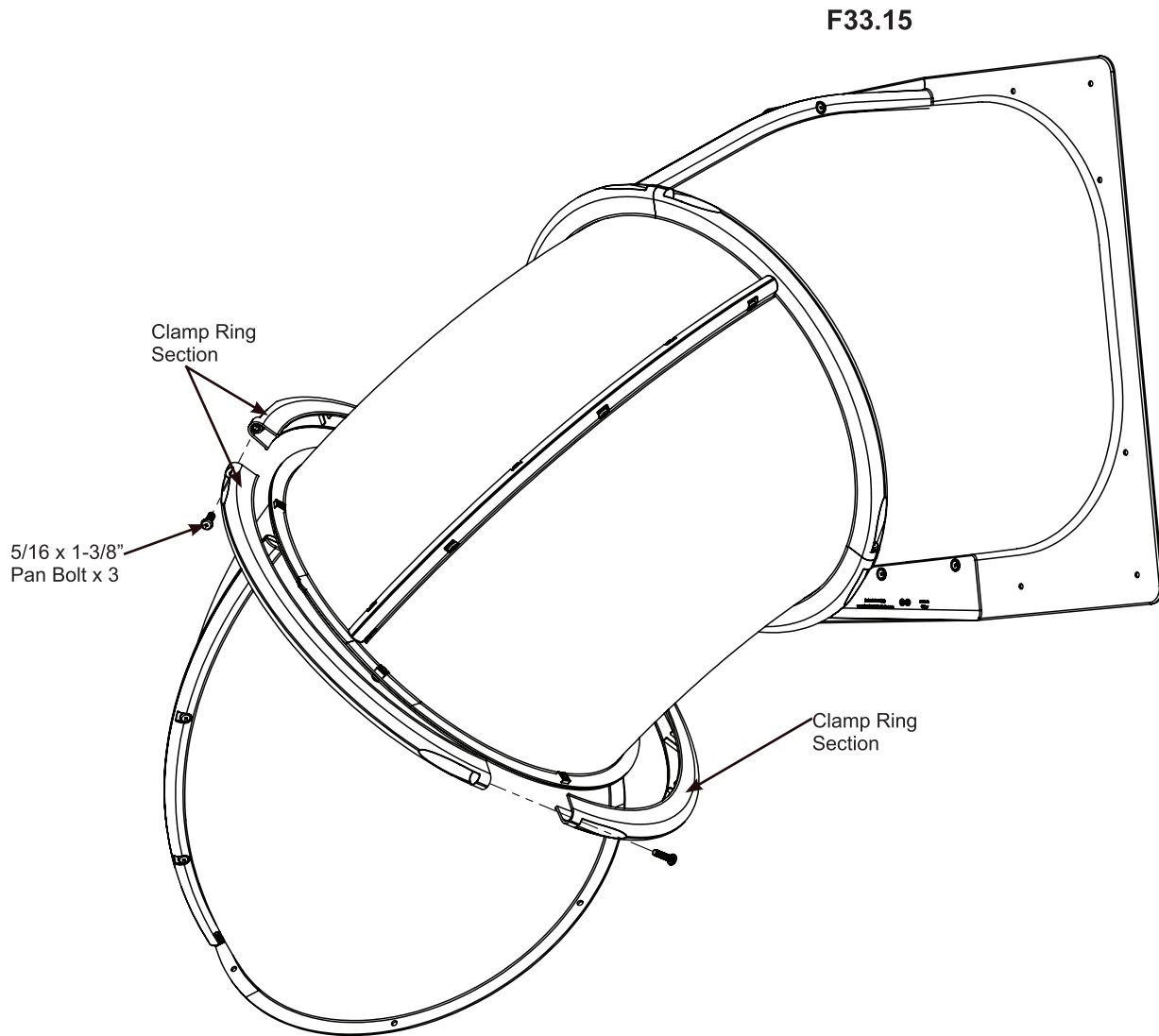


Hardware

6 x 5/16 x 9/16" Pan Bolt (with 5/16" square lock nut)

Step 33: Turbo Slide Assembly Part 9

K: Fasten three Clamp Ring sections together over the intersection with three 5/16 x 1-3/8 Pan Bolts. Partially thread each bolt into the next Clamp Ring. When all bolts are partially installed, tighten all bolts. (F33.15)



Components:

3 x Clamp Ring Section

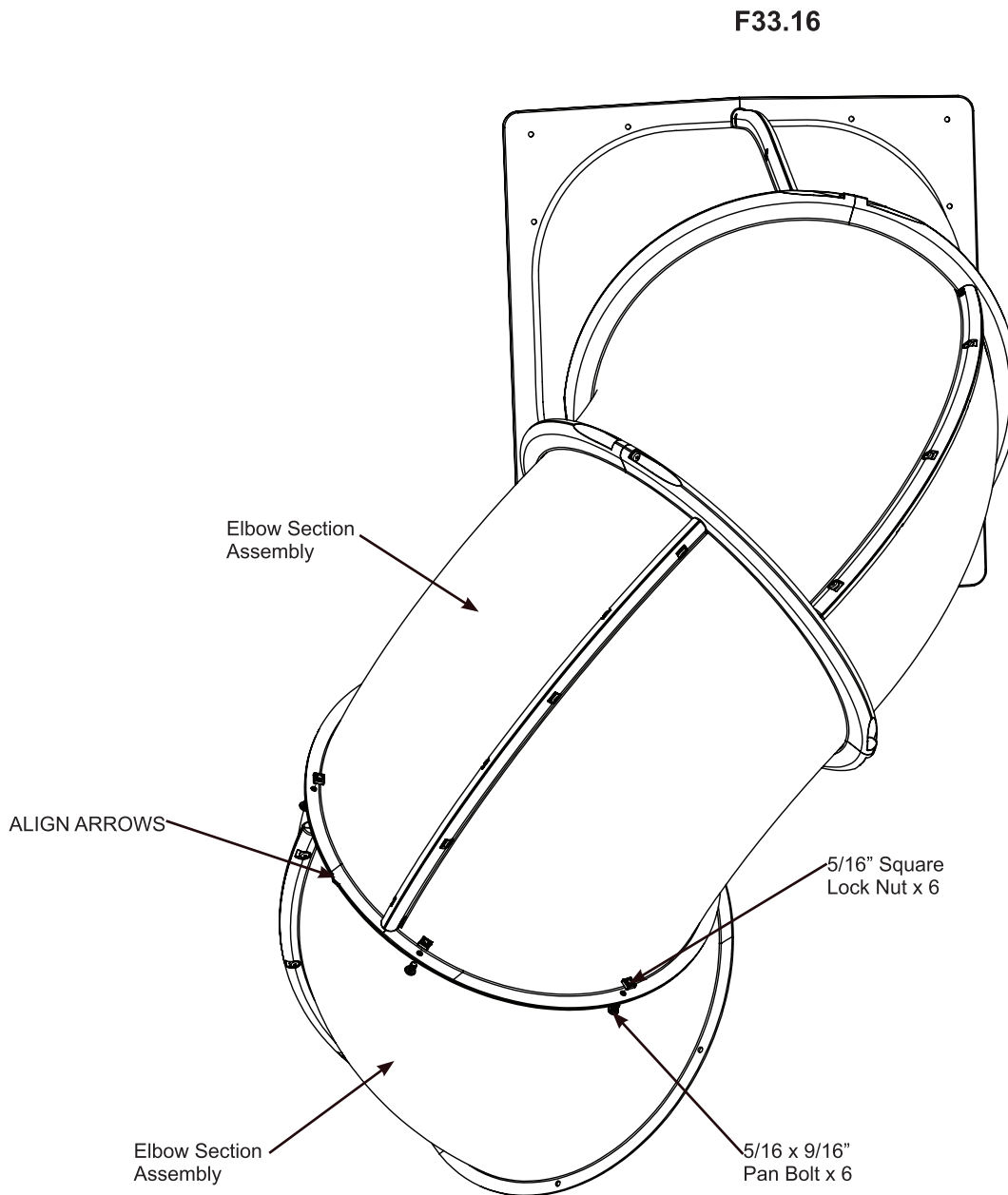
Hardware

3 x 5/16 x 1-3/8" Pan Bolt

Step 33: Turbo Slide Assembly Part 10

L: Fasten the Elbow Section Assemblies together with six 5/16 x 9/16" Pan Bolts (with 5/16" Square Lock Nut). (F33.16)

Note: Align Arrows.



Hardware

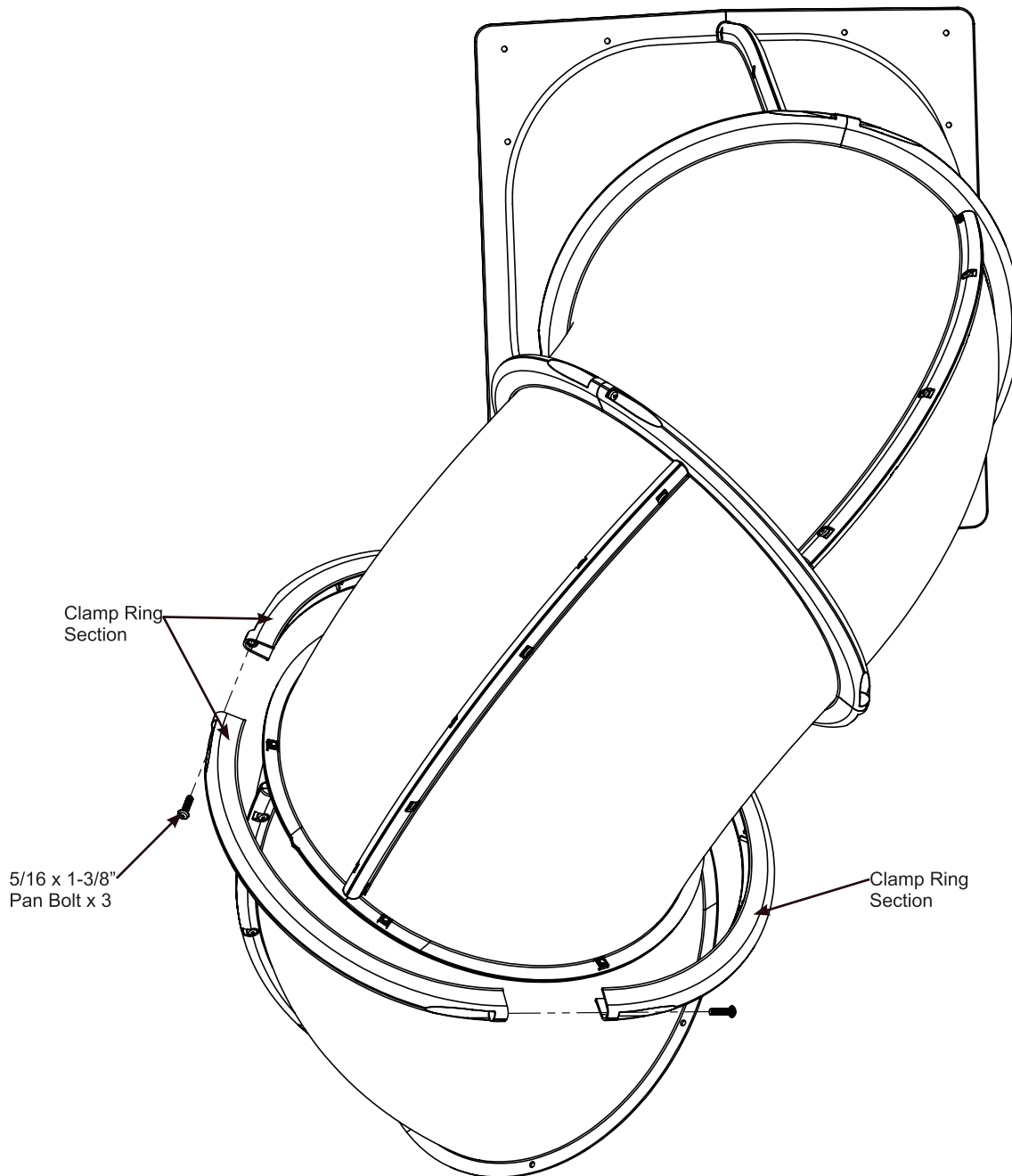
6 x 5/16 x 9/16" Pan Bolt (with 5/16" square lock nut)

Step 33: Turbo Slide Assembly

Part 11

M: Fasten three Clamp Ring sections together over the intersection with three 5/16 x 1-3/8 Pan Bolts. Partially thread each bolt into the next Clamp Ring. When all bolts are partially installed, tighten all bolts. (F33.17)

F33.17



Components:

3 x Clamp Ring Section

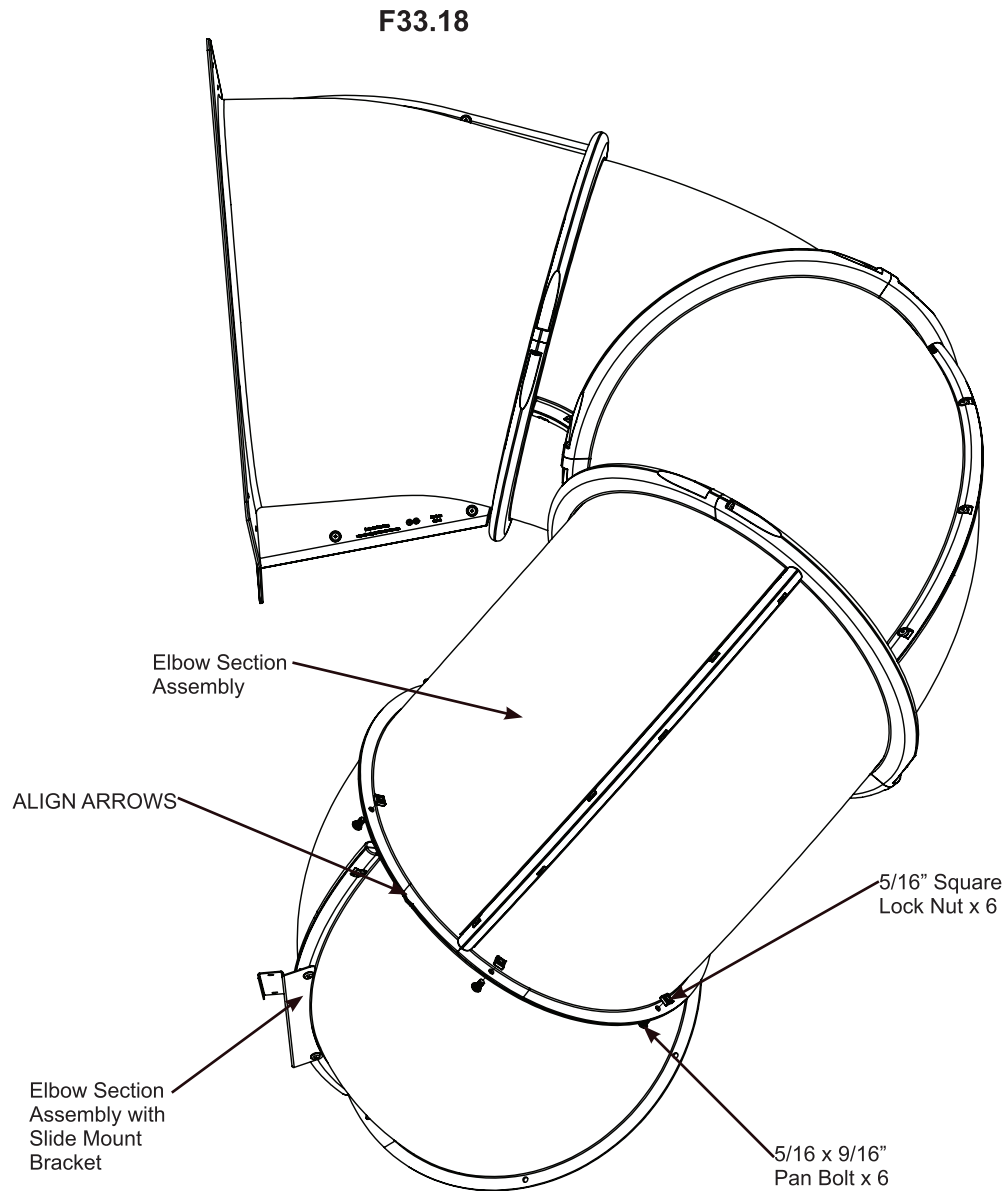
Hardware

3 x 5/16 x 1-3/8" Pan Bolt

Step 33: Turbo Slide Assembly Part 12

N: Fasten the Elbow Section Assembly and Elbow Section Assembly with Slide Mount Bracket together with six 5/16 x 9/16" Pan Bolts (with 5/16" Square Lock Nut). (F33.18)

Note: Align Arrows.

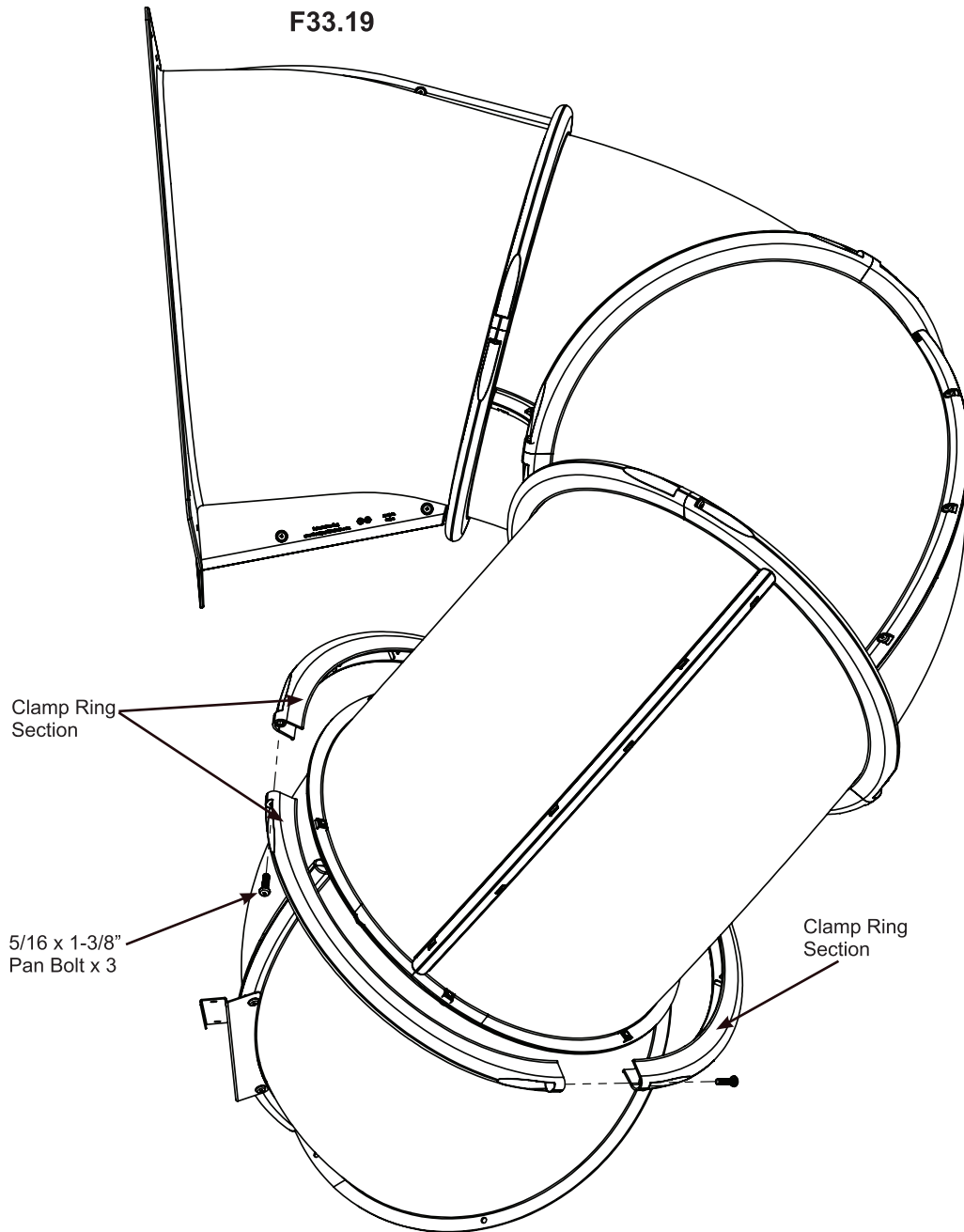


Hardware

6 x 5/16 x 9/16" Pan Bolt (with 5/16" square lock nut)

Step 33: Turbo Slide Assembly Part 13

O: Fasten three Clamp Ring sections together over the intersection with three 5/16 x 1-3/8 Pan Bolts. Partially thread each bolt into the next Clamp Ring. When all bolts are partially installed, tighten all bolts. (F33.19)



Components:

3 x Clamp Ring Section

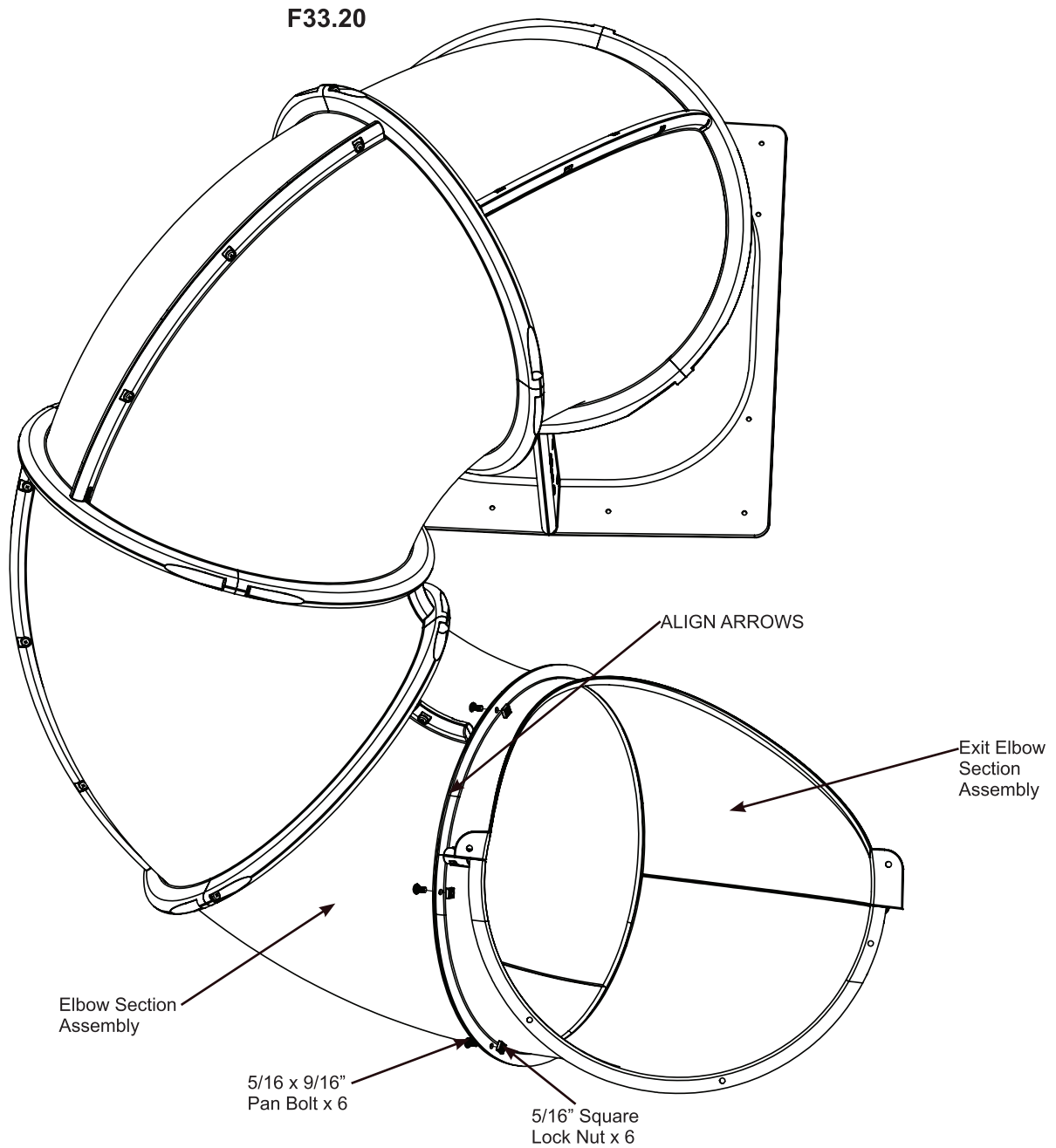
Hardware

3 x 5/16 x 1-3/8" Pan Bolt

Step 33: Turbo Slide Assembly Part 14

P: Fasten the Elbow Section Assembly and Exit Elbow Section Assembly together with six 5/16 x 9/16" Pan Bolts (with 5/16" Square Lock Nut). (F33.20)

Note: Align Arrows.



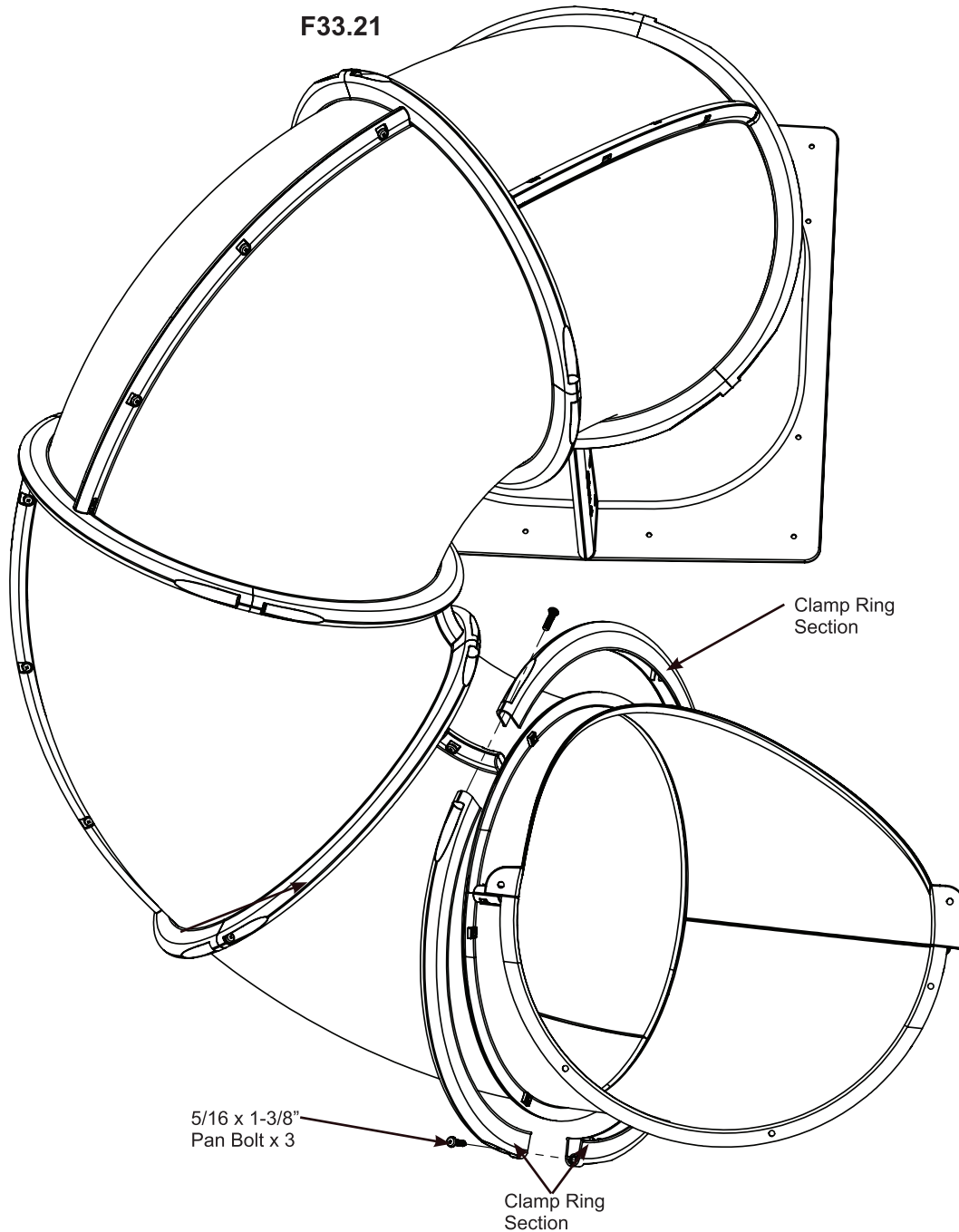
Hardware

6 x 5/16 x 9/16" Pan Bolt (with 5/16" square lock nut)

Step 33: Turbo Slide Assembly

Part 15

Q: Fasten three Clamp Ring sections together over the intersection with three 5/16 x 1-3/8 Pan Bolts. Partially thread each bolt into the next Clamp Ring. When all bolts are partially installed, tighten all bolts. (F33.21)



Components:

3 x Clamp Ring Section

Hardware

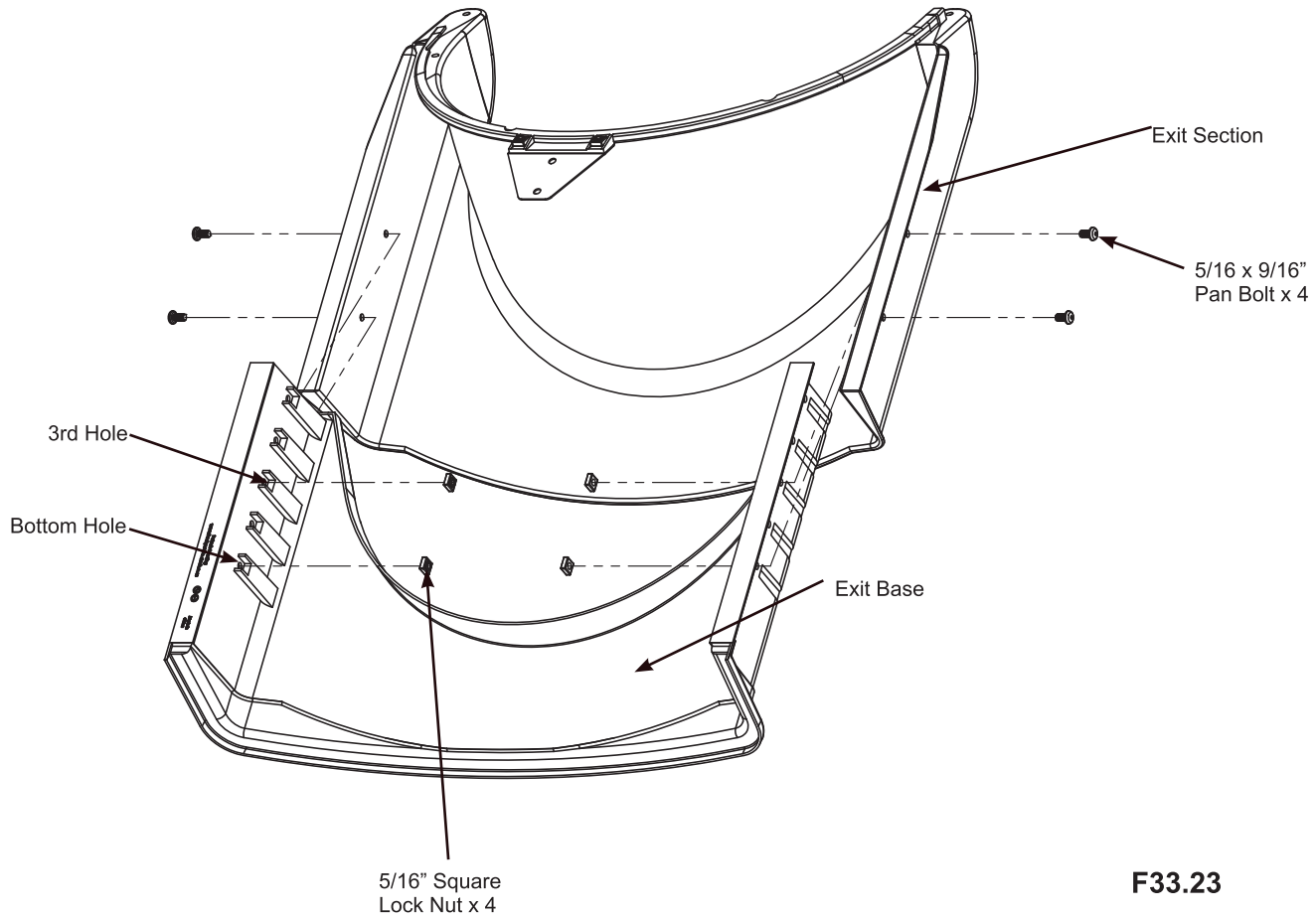
3 x 5/16 x 1-3/8" Pan Bolt

Step 33: Turbo Slide Assembly

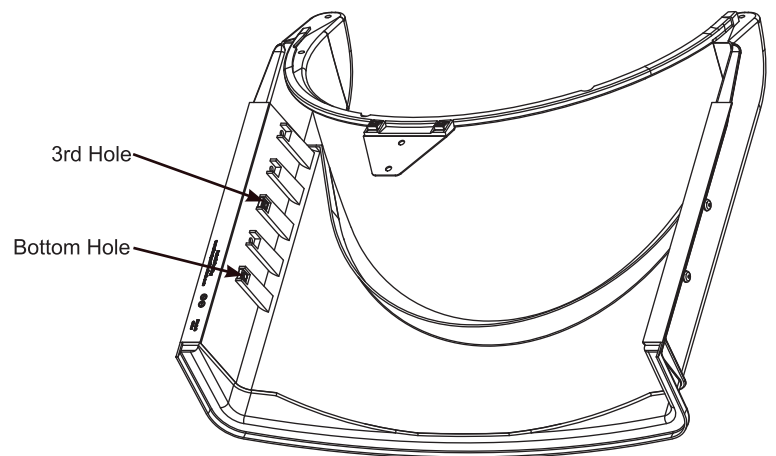
Part 16

R: Fasten the Exit Section to the Exit Base through the bottom and 3rd holes with four 5/16 x 9/16" Pan Bolts (with 5/16" Square Lock Nut). (F33.22 and F33.23)

F33.22



F33.23



Components:

1 x Exit Base

Hardware

4 x 5/16 x 9/16" Pan Bolt (with 5/16" square lock nut)

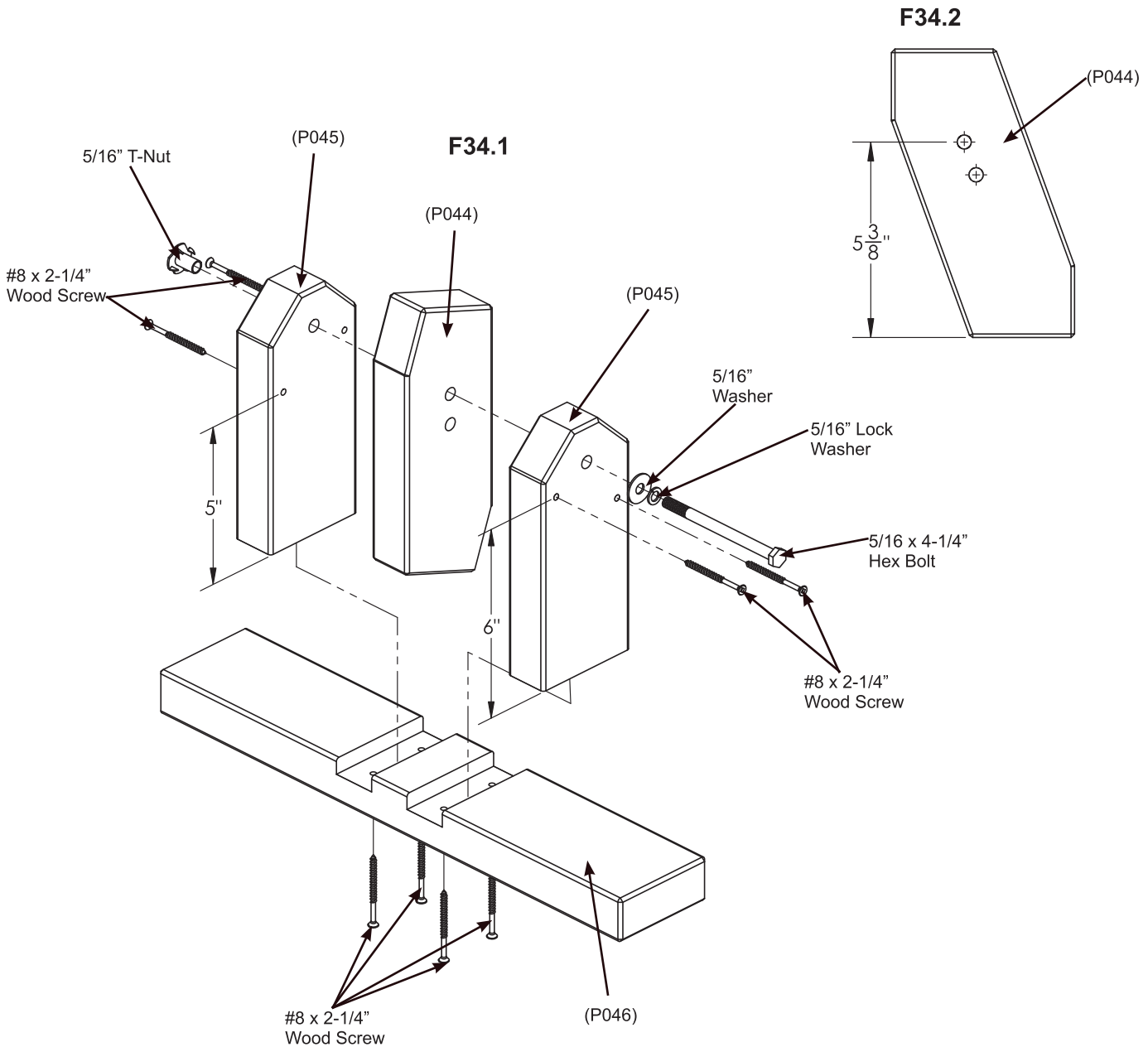


Step 34: Turbo Slide Exit Support Assembly

A: Note the position of the small holes in the (P045) then install 5/16" T-Nut. (F34.1)

B: Loosely connect two (P045)'s and one (P044) using one 5/16 x 4-1/4" Hex Bolt (with 5/16" Lock Washer, 5/16" Washer) into previously installed T-Nut. (F34.1 and F34.2)

NOTE: Use the top hole of (P044).



Wood Parts

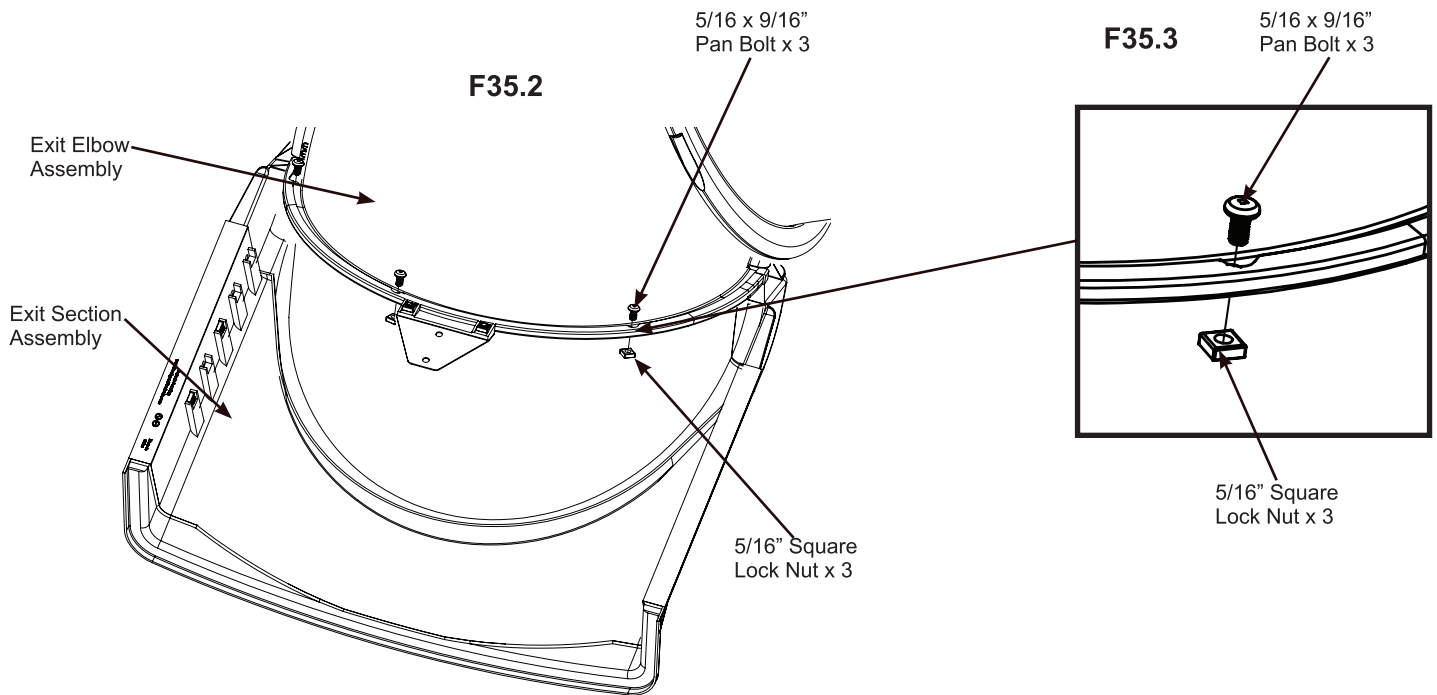
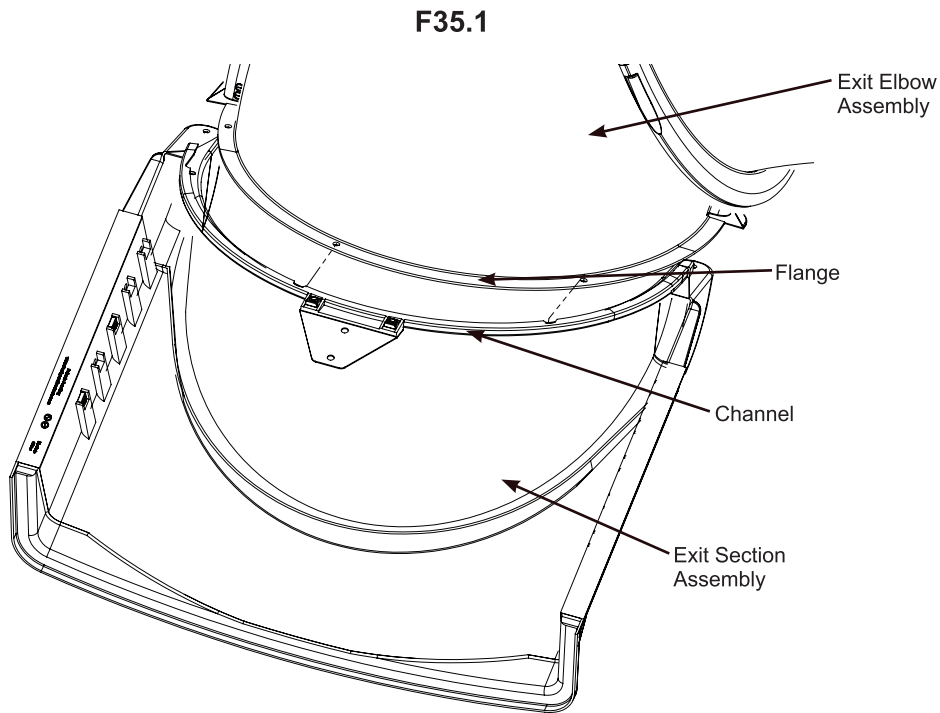
- 1 x (P044) Turbo SL Center Post
- 2 x (P045) Turbo SL Side Post
- 1 x (P046) Turbo SL Base

Hardware

- 8 x #8 x 2-1/4" Wood Screw
- 1 x 5/16 x 4-1/4" Hex Bolt
(with 5/16" lock washer, 5/16" washer, 5/16" t-nut)

Step 35: Turbo Slide Exit Assembly Part 1

A: Place the flange of the Exit Section into the channel of the Exit Assembly and attach with three 5/16 x 9/16" Pan Bolts (with 5/16" Square Lock Nut). (F35.1, F35.2 and F35.3)

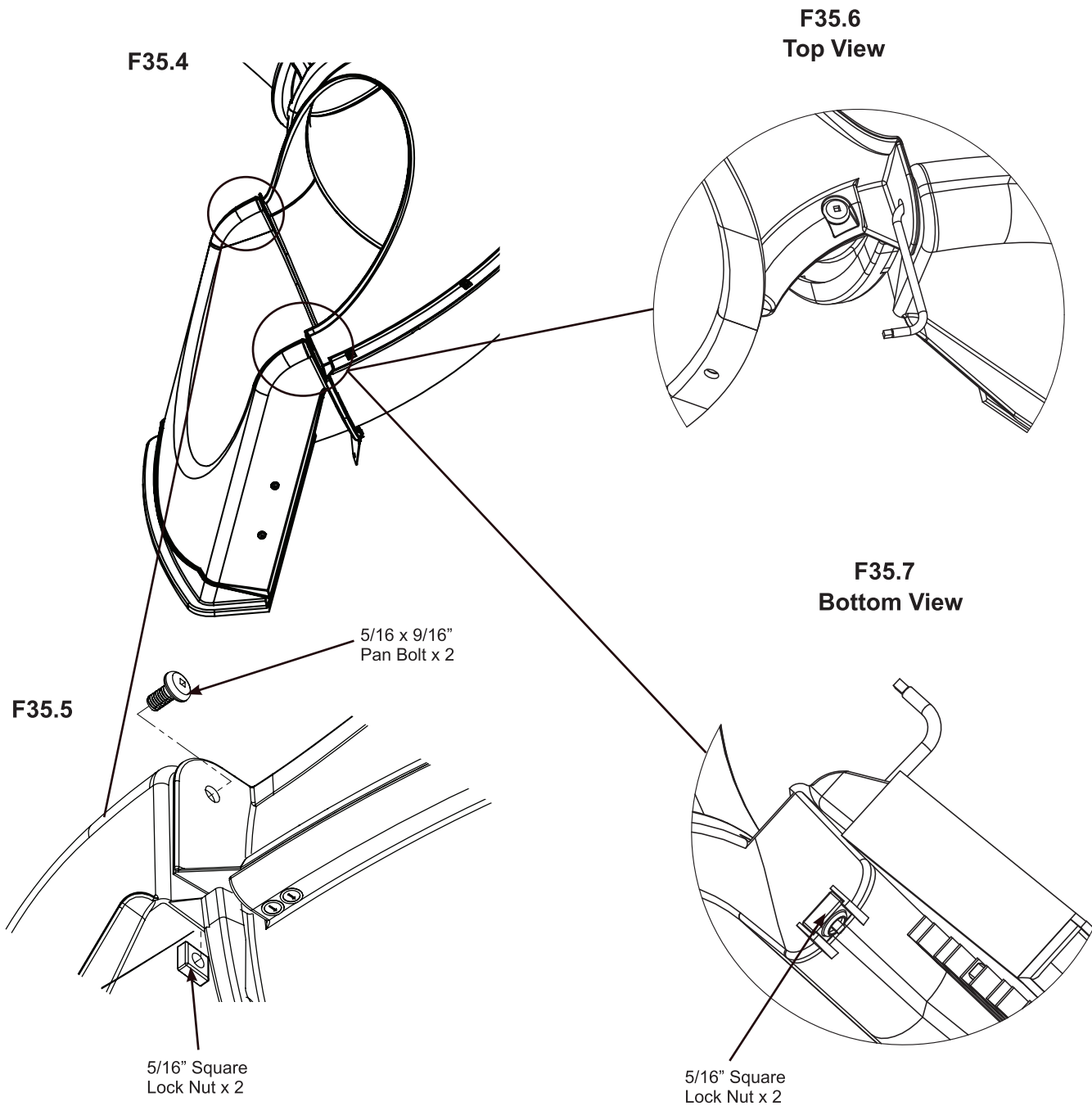


Hardware

3 x 5/16 x 9/16" Pan Bolt (with 5/16" square lock nut)

Step 35: Turbo Slide Exit Assembly Part 2

B: Fasten the Exit Elbow Section with cutout area to the Exit Assembly with two 5/16 x 9/16" Pan Bolts (with 5/16" Square Lock Nut). Use wrench on inside radius to pre-align holes with nut as shown in F35.6 and F35.7. Hold nut in place and install bolt. (F35.4, F35.5, F35.6 and F35.7)



Hardware

2 x 5/16 x 9/16" Pan Bolt (with 5/16" square lock nut)

Step 35: Turbo Slide Exit Assembly Part 3



Note: Pre-drill all pilot holes using a 1/8" drill bit before installing Lag Screws.

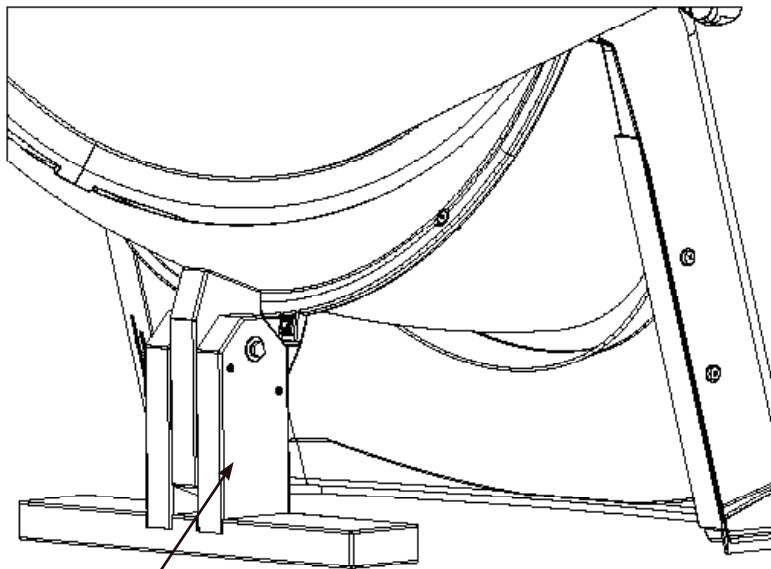
C: Position Exit Support Assembly against the Exit Bracket. (F35.8 and F35.9)

D: Center the Exit Support Assembly on the Exit Bracket hole and mark the holes. (F35.8 and F35.9)

E: Pre Drill at marked locations. (F35.8 and F35.9)

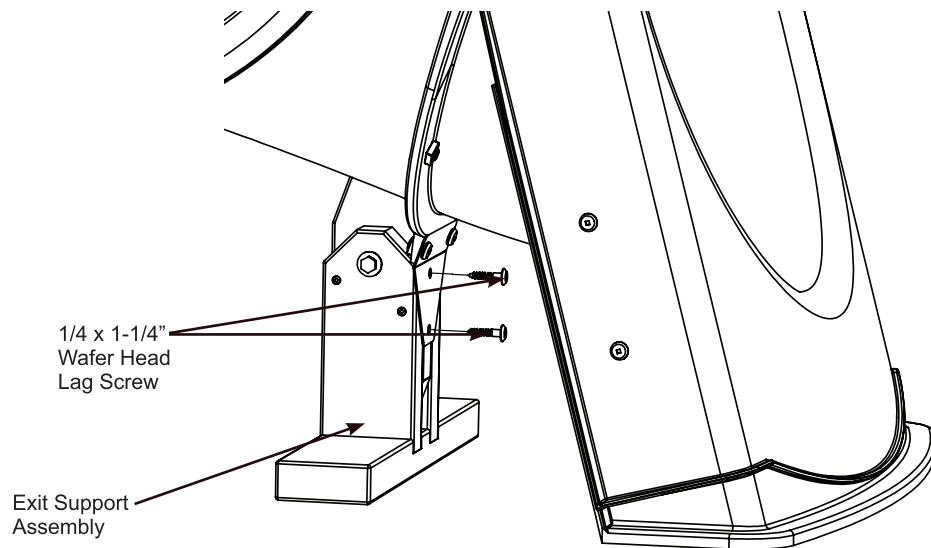
F: Attach Exit Support Assembly to Exit Bracket using two 1/4 x 1-1/4" Wafer Head Lag Screws. (F35.8 and F35.9)

F35.8



Exit Support
Assembly

F35.9



1/4 x 1-1/4"
Wafer Head
Lag Screw

Exit Support
Assembly

Hardware

2 x 1/4 x 1-1/4" Wafer Head Lag Screw

Step 36: Turbo Slide Installation Part 1

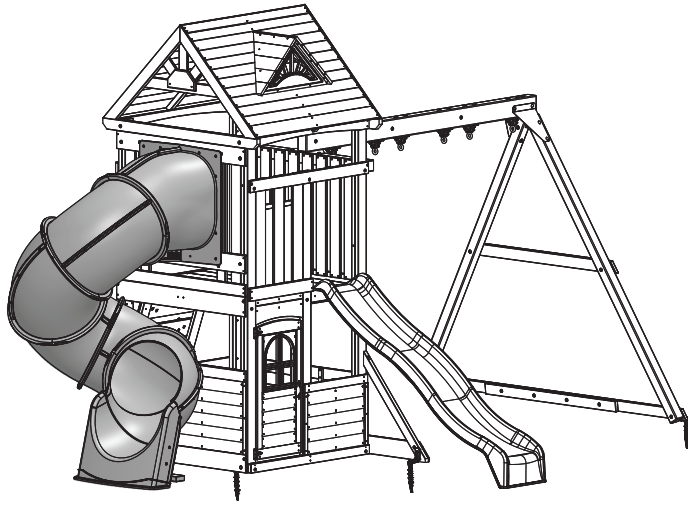


Note: Pre-drill all pilot holes using a 1/8" drill bit before installing Lag Screws.

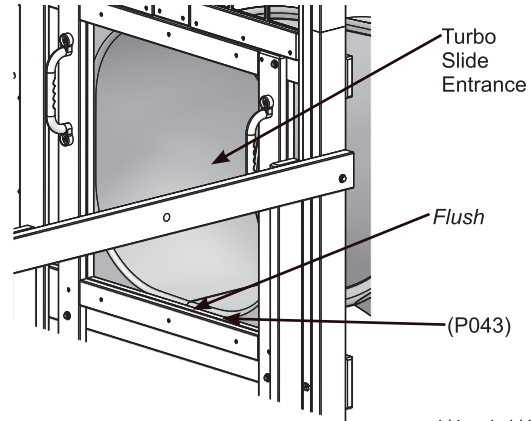
A: With a helper place Turbo Slide Entrance over the opening in Turbo Slide Wall. Ensure Turbo Slide Entrance is flush to the top of (P043) and that it's centered. Attach Slide with 12 1/4 x 1-1/4" Wafer Head Lag Screws. (F36.1, F36.2 and F36.3)

B: Attach Slide Mount Bracket on (P048) using two 1/4 x 1-1/4" Wafer Head Lag Screw. (F36.1 and F36.4)

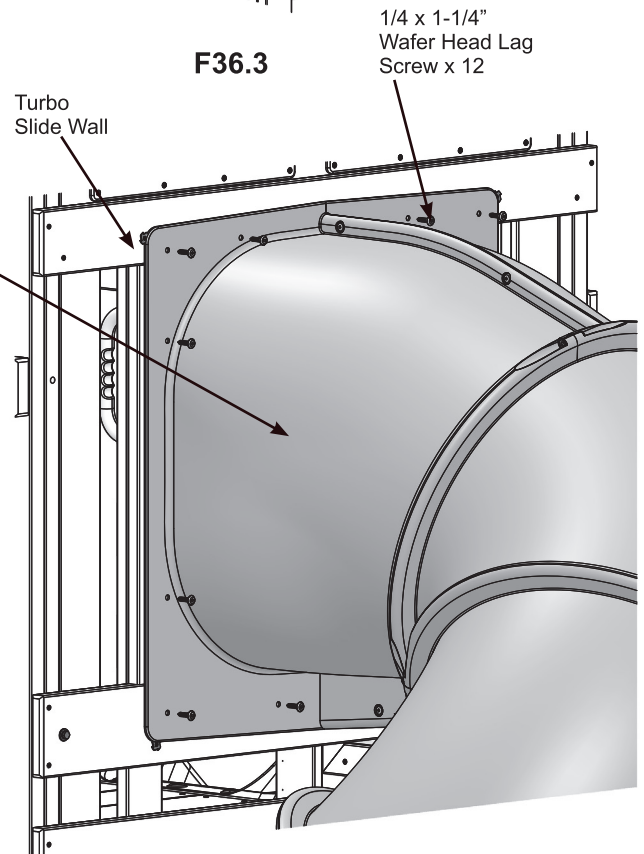
F36.1



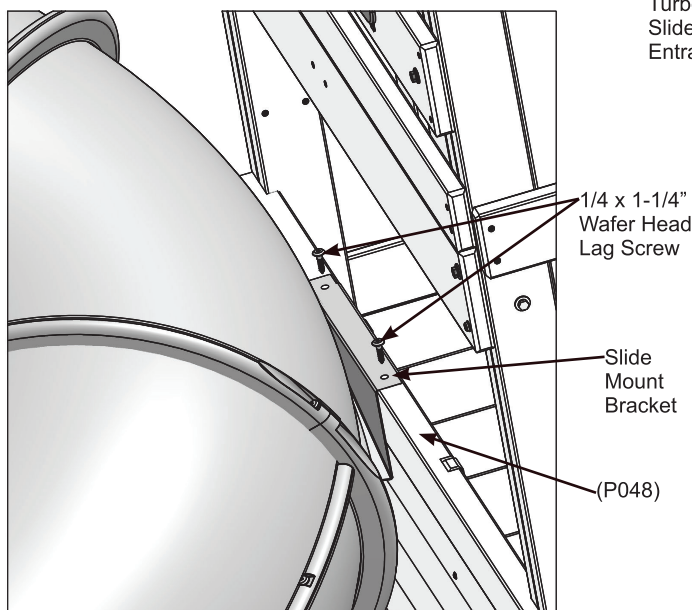
**F36.2
Inside View**



F36.3



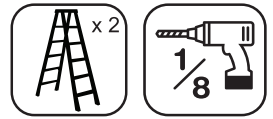
F36.4



Hardware

14 x 1/4 x 1-1/4" Wafer Head Lag Screws

Step 36: Turbo Slide Installation Part 2

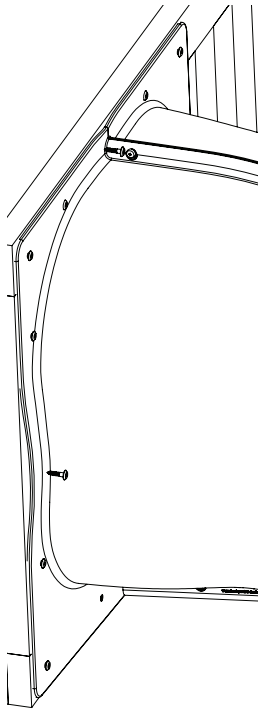


Note: Pre-drill all pilot holes using a 1/8" drill bit before installing Lag Screws.

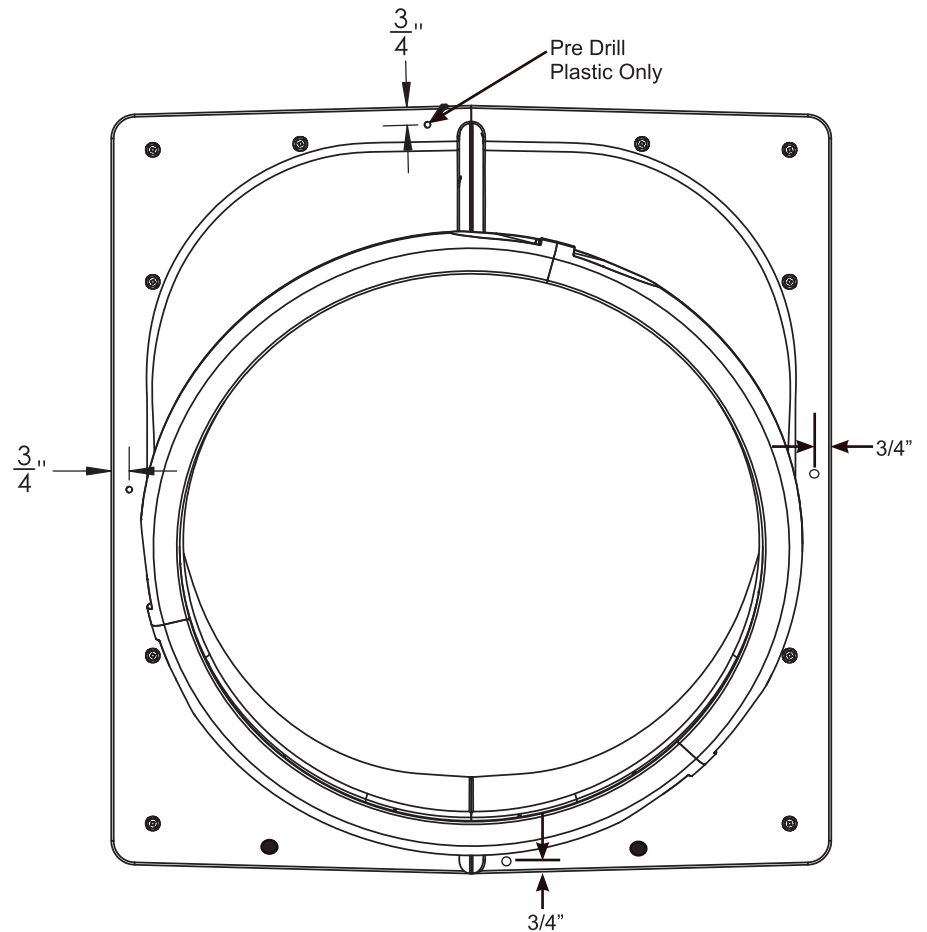
C: Pre-drill four holes through the plastic only. Example shown at top, bottom and on sides below. (F36.5 and F36.6)

D: Install a 1/4 x 1-1/4" Wafer Head Lag screw at each hole. (F36.5 and F36.6)

F36.5



F36.6



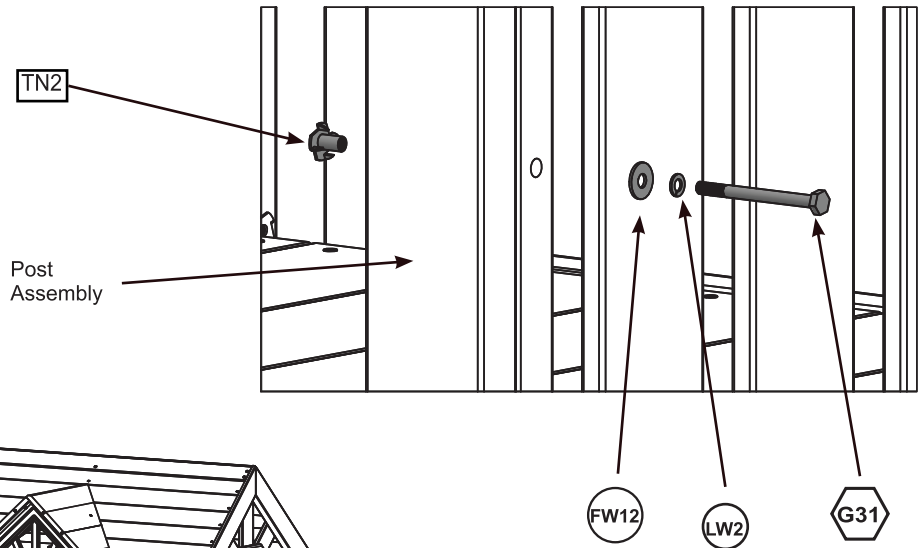
Hardware

4 x 1/4 x 1-1/4" Wafer Head Lag Screws

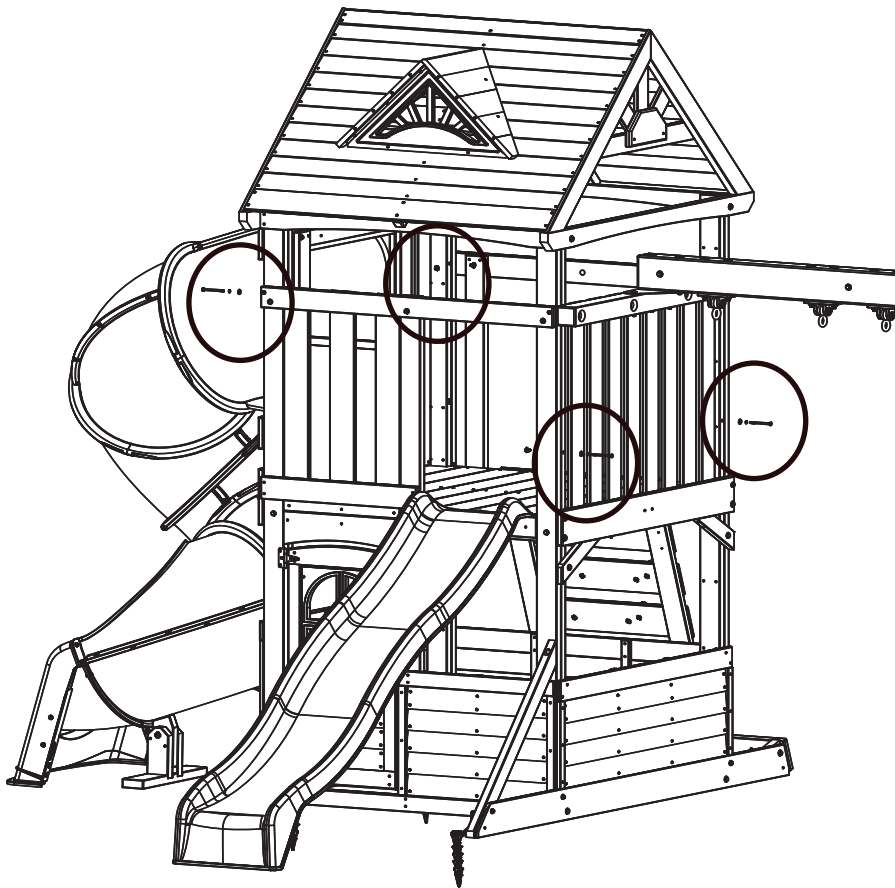
Step 37: Check Bolts

A: From outside the assembly install one G31 (with LW2, FW12 and TN2) into all four Post Assemblies at the locations shown in F37.1 and F37.2.





F37.1



F37.2



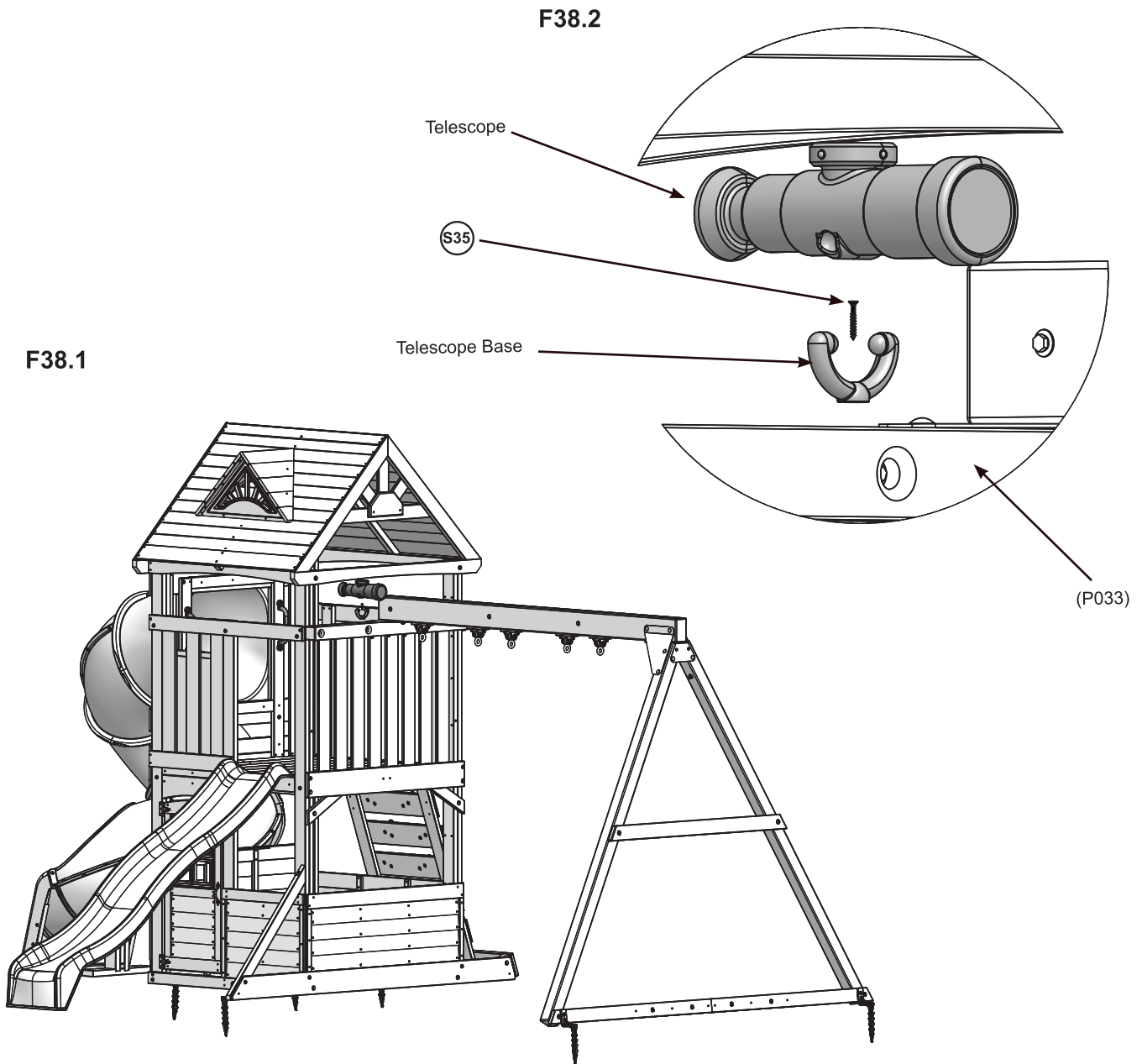
Hardware

- | | |
|--|---|
| 4 x  5/16 x 3-1/4" Hex Bolt | 4 x  5/16 Large Washer |
| | 4 x  5/16" Lock Washer |
| | 4 x  5/16" T-Nut |

Step 38: Telescope

A: Place Telescope Base on (P033) and attach using one (S35). (F38.1 and F38.2)

B: Snap the Telescope onto the Telescope Base. (F38.1 and F38.2)



Components:

1 x Telescope

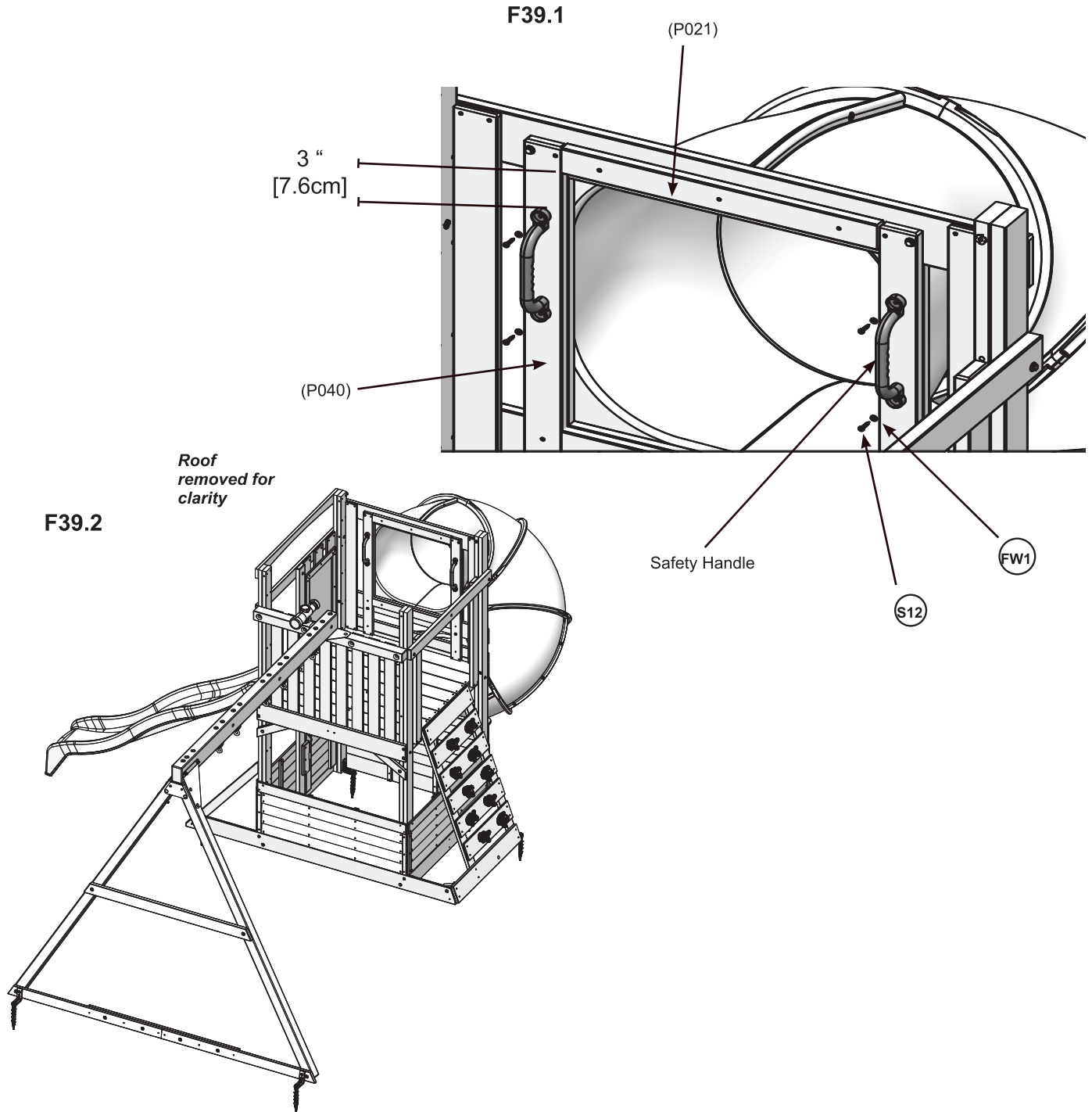
Hardware

1 x (S35) #8 x 2-1/4" Wood Screw

Step 39: Safety Handles




A: Center one Safety Handle on each (P040), approximately 3" [7.6cm] down from the (P021). Attach using two S12 (with FW1) per handle. (F39.1 and F39.2)



Components:

2 x Safety Handles

Hardware

4 x  #10 x 1-1/4" Pan Screw

4 x  1/4" Flat Washer

Step 40: Steering Wheel

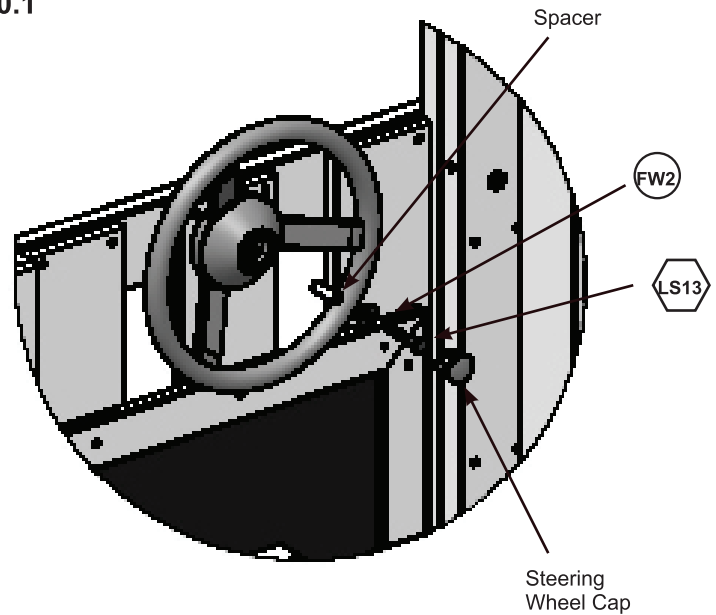


Note: Pre-drill all pilot holes using a 1/8" drill bit before installing Lag Screws.

A: Place Steering Wheel centered at the top of (P098) and attach with one LS13 (with FW2 and spacer). (F40.1 and F40.2)

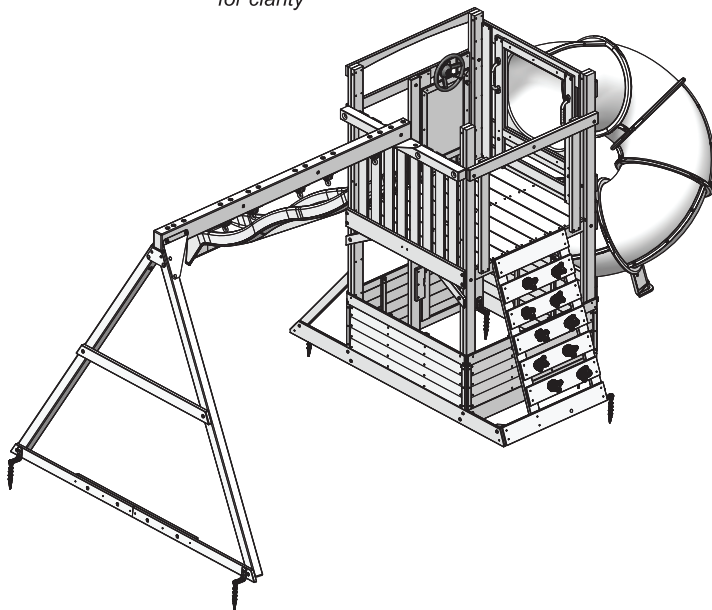
B: Snap on the Steering Wheel Cap over the Lag Screw. (F40.1 and F40.2)

F40.1



F40.2

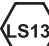
Roof removed for clarity




Components:

1 x Steering Wheel

Hardware

1 x  5/16 x 2" Lag Screw

1 x  5/16" Flat Washer

Step 41: Climbing Rope

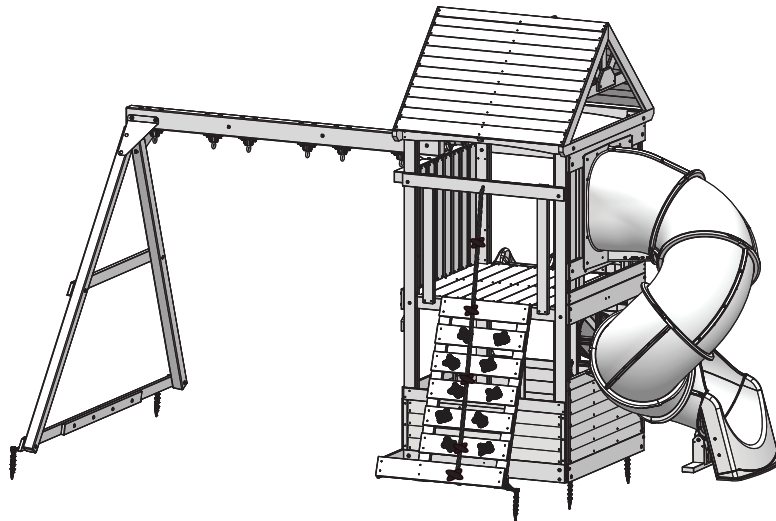
A: Feed one end of the Climbing Rope through the hole in (P088) and tie a knot in that end of the rope. (F41.1 and F41.2)

B: Tie 4 more knots in the rope making sure that they are evenly spaced from top to bottom. (F41.1)

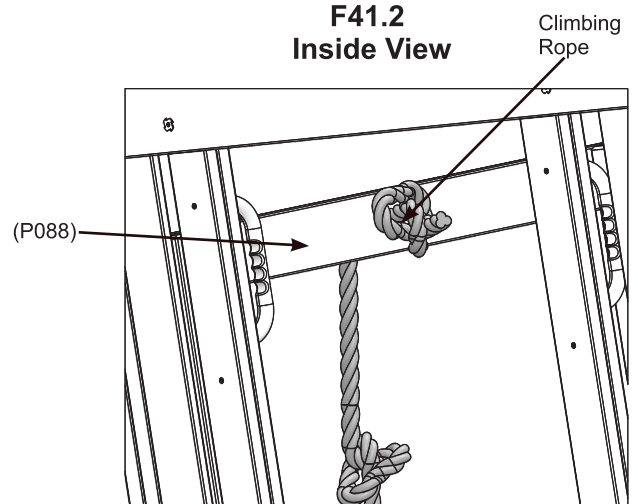
C: Wrap Climbing Rope under (P037) then feed rope back through the hole in (P037) and pull tight. Tie off the rope securely with a single knot tight to the front of (P037). (F41.1 and F41.3)

IMPORTANT: MAKE SURE THE ROPE IS TIGHT .

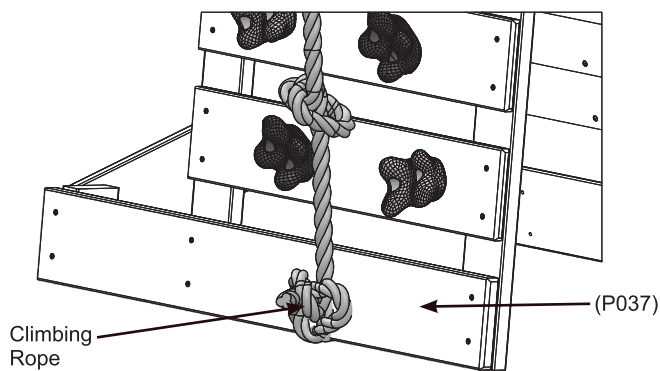
F41.1



F41.2
Inside View



F41.3



Components:

1 x Climbing Rope

Step 42: Swing Accessories

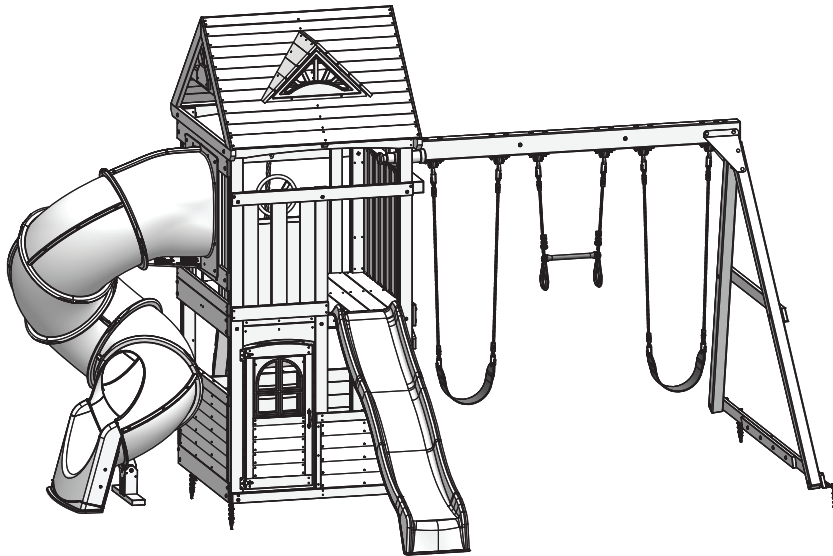


A: Using one Threaded Quick Link per 46in Rope Assembly, join one 46in Rope to each side of the Belt Swing. Make sure to close the Threaded Quick Link tightly using an adjustable wrench. (F42.1 and F42.2).

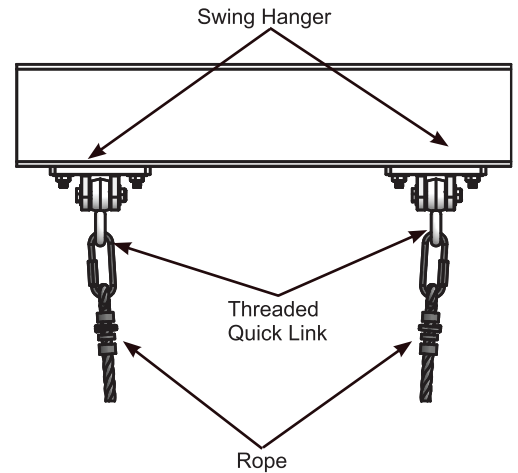
B: Using one Threaded Quick Link per 19in Rope Assembly, join the 19in Rope to the Acro Bar and Acro Handle. Make sure to close the Threaded Quick Link tightly using an adjustable wrench. (F42.1 and F42.3)

C: Attach the other end of the Ropes to the Swing Hangers with Threaded Quick Links. Make sure to close the Threaded Quick Link tightly using an adjustable wrench. (F42.1 and F42.4)

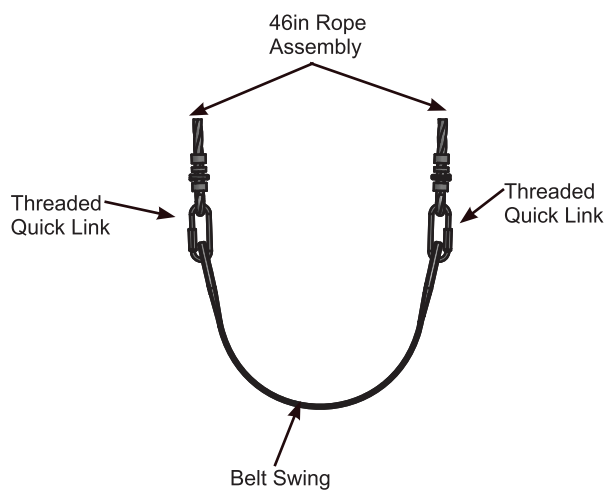
F42.1



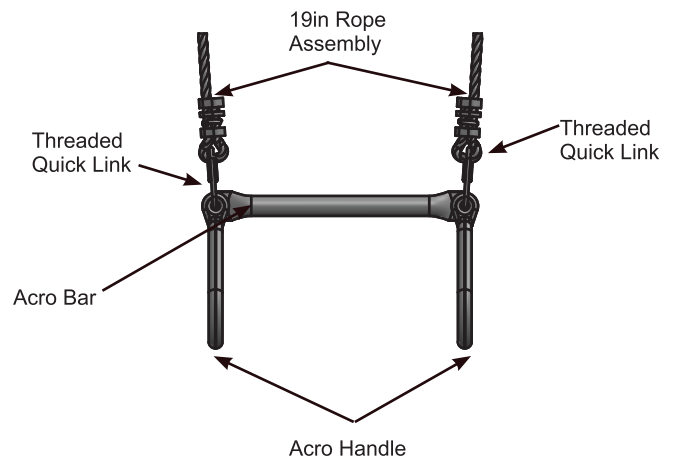
F42.4



F42.2



F42.3



Components:

- | | |
|------------------------|--------------------------|
| 4 x 46in Rope Assembly | 1 x Acro Bar |
| 2 x 19in Rope Assembly | 12 x Threaded Quick Link |
| 2 x Belt Swing | |
| 2 x Acro Handle | |

Step 43: Plaques



A: Center Gorilla Plaque on (P055) and attach using two S39. (F43.1 and F43.2)

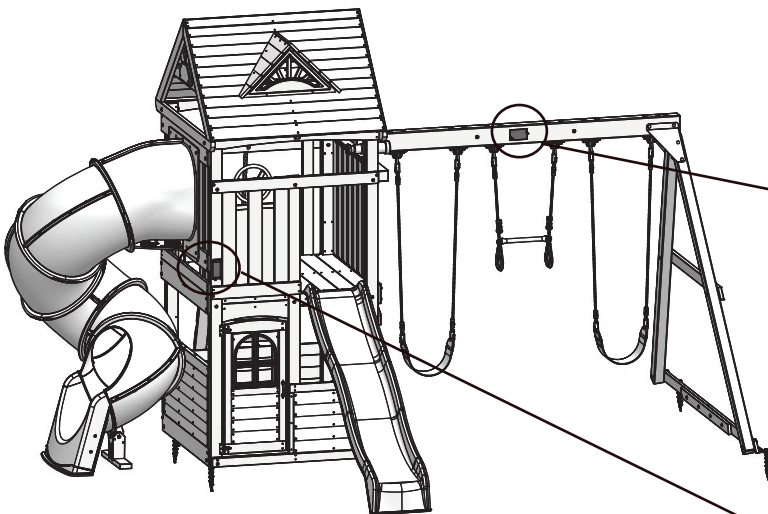
B: Attach ASTM Warning Plate of preferred language to a location that is easily seen and visible to supervising adult using four S5. (F43.1 and F43.3)

C: Attach Playset ID Plaque to your playset in a location of your choice using two S5. This provides important contact information. A tracking number is provided to allow you to get critical information or order replacement parts for this specific model (F43.4)

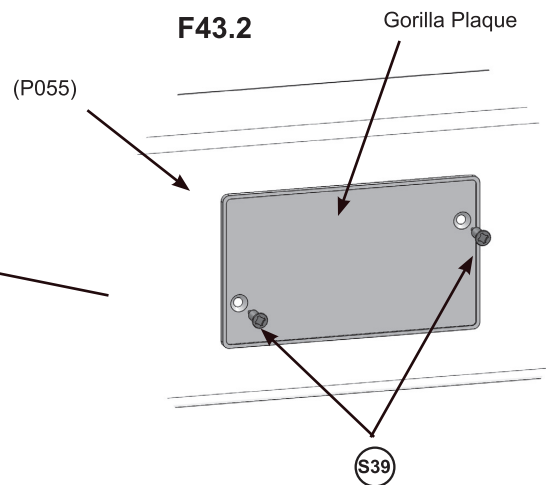
ATTACH THESE PLAQUES TO THIS LOCATION ON YOUR PLAYSET.

This provides warnings concerning safety and important contact information.

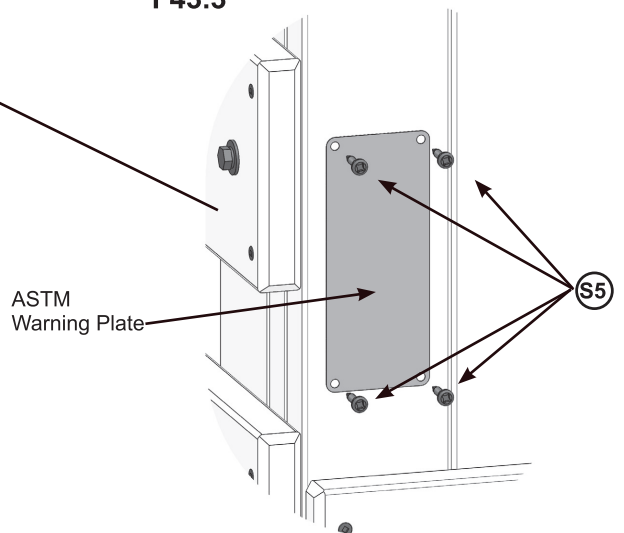
F43.1



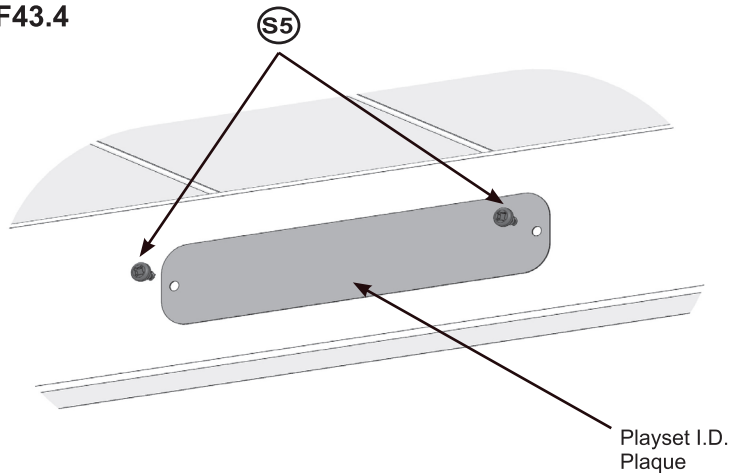
F43.2



F43.3



F43.4



Components:

1 x Gorilla Plaque
1 x ASTM Warning Plate
1 x Playset ID Plaque

Hardware

2 x S39 #7 x 3/4" Wood Screw
6 x S5 #8 x 1/2" Pan Screw

